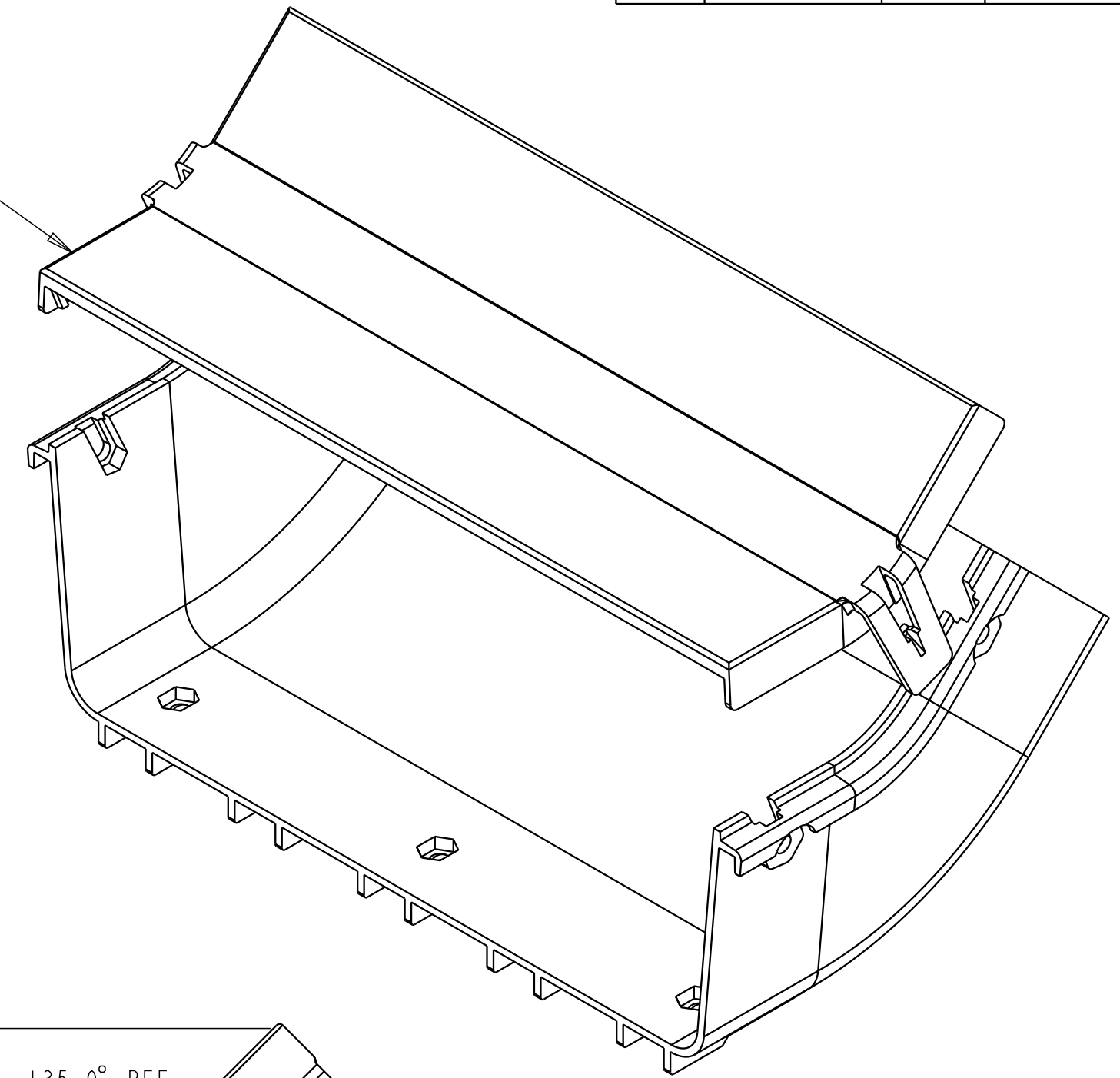


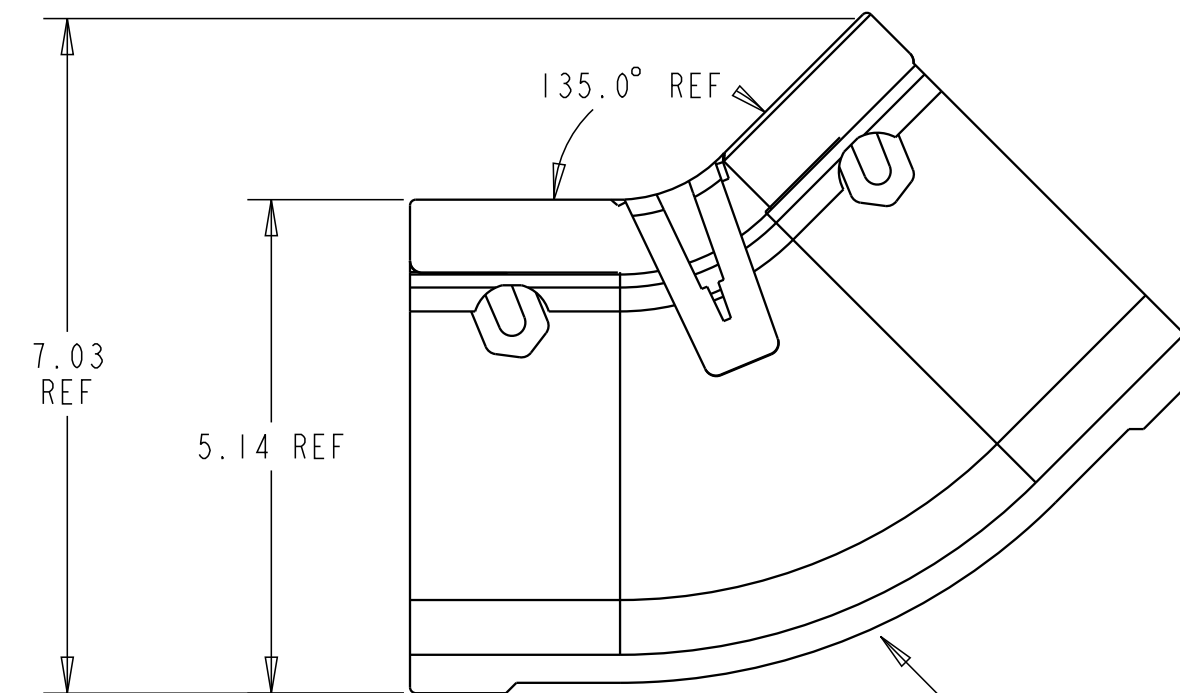
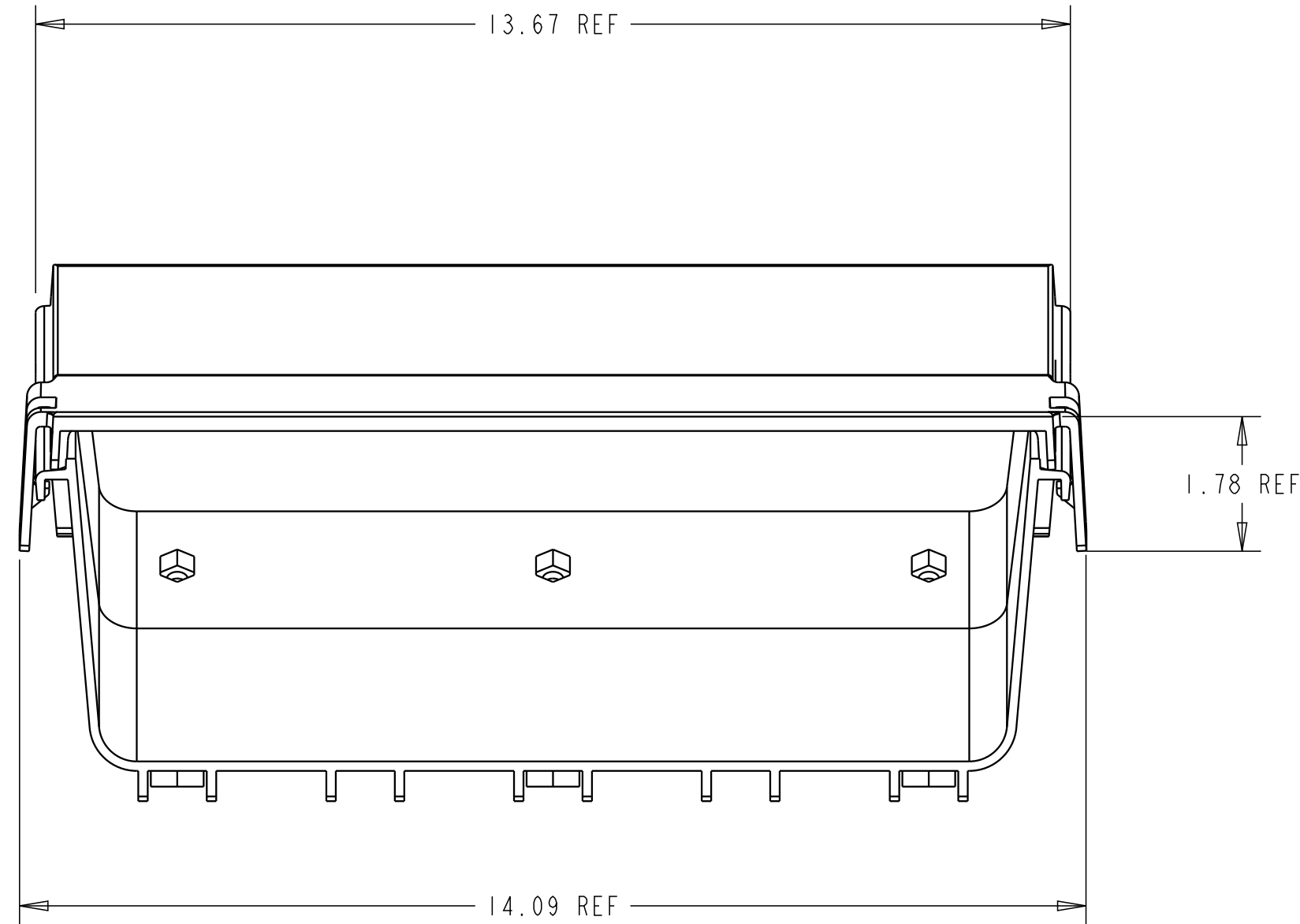
REV	MCO	DWN	DATE
D	40026679MCO	HUH	05-DEC-15
F	8000018817	SC	07-JAN-17

COVER



135.0° REF

12"-45° UP FIBERGUIDE REF.



**NOTES:**

1. SNAP COVER INTO PLACE, AS SHOWN.

COMMSCOPE, INC.

FGSB-MU4E-F	BLACK
FGS-MU4E-F	YELLOW
<b>CATALOG NUMBER</b>	<b>COLOR</b>

<small>© 2016 COMMSCOPE, INC. CONFIDENTIAL          NOTICE: THESE DRAWINGS AND SPECIFICATIONS ARE THE PROPRIETARY PROPERTY OF COMMSCOPE, INC. AND MAY BE USED ONLY FOR THE SPECIFIC PURPOSE AUTHORIZED IN WRITING BY COMMSCOPE, INC.</small>		TITLE 12" - 45° UP FIBERGUIDE COVER, INSTALL DRW.	
<small>ALL DIMS AND TOLERANCES ARE INCHES UNLESS OTHERWISE SPECIFIED</small> .XX:±.02 .XXX:±.010 ANGULAR:±2°	C SIZE	DRAWING NUMBER 1162957_ADC	F REV
DO NOT SCALE DRAWING		ENGR: DEREK DERKS DWN: CRAIG ZELASKO	SHT. 1 OF 1

DIMENSIONS IN INCHES  
THIRD ANGLE PROJECTION