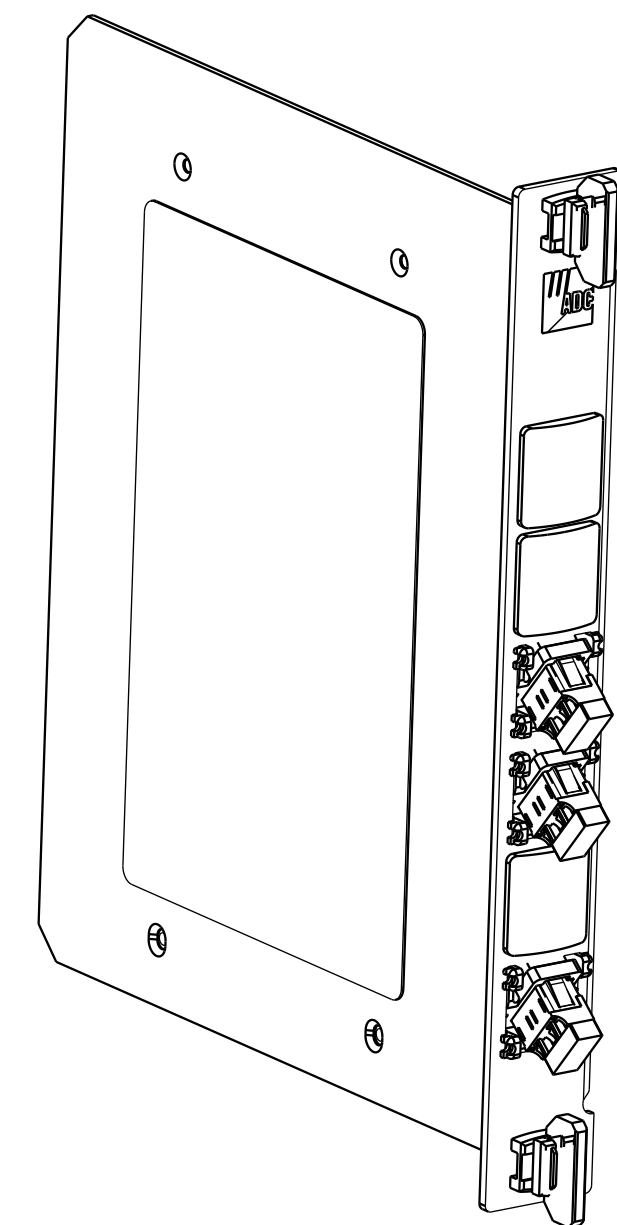
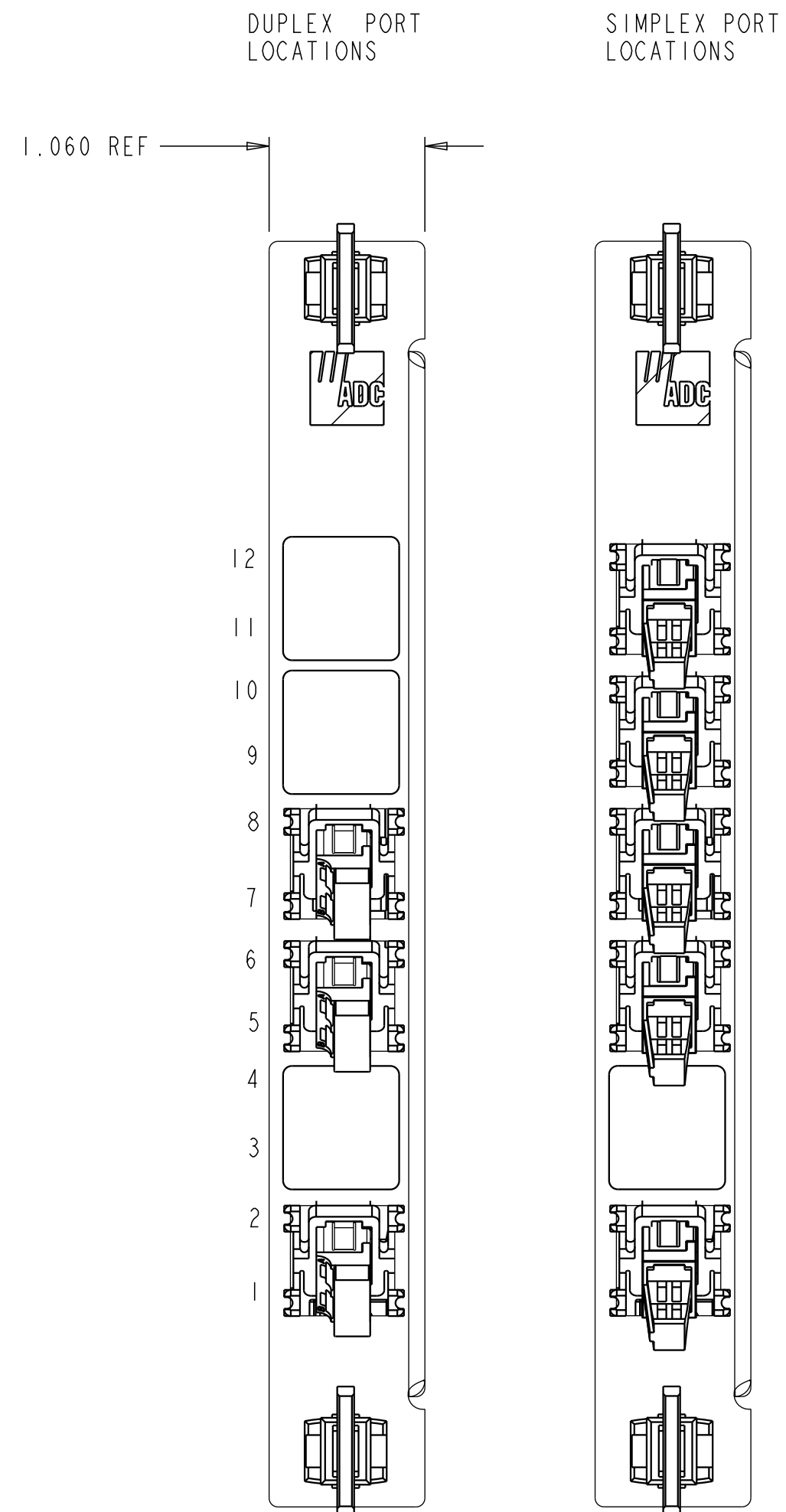
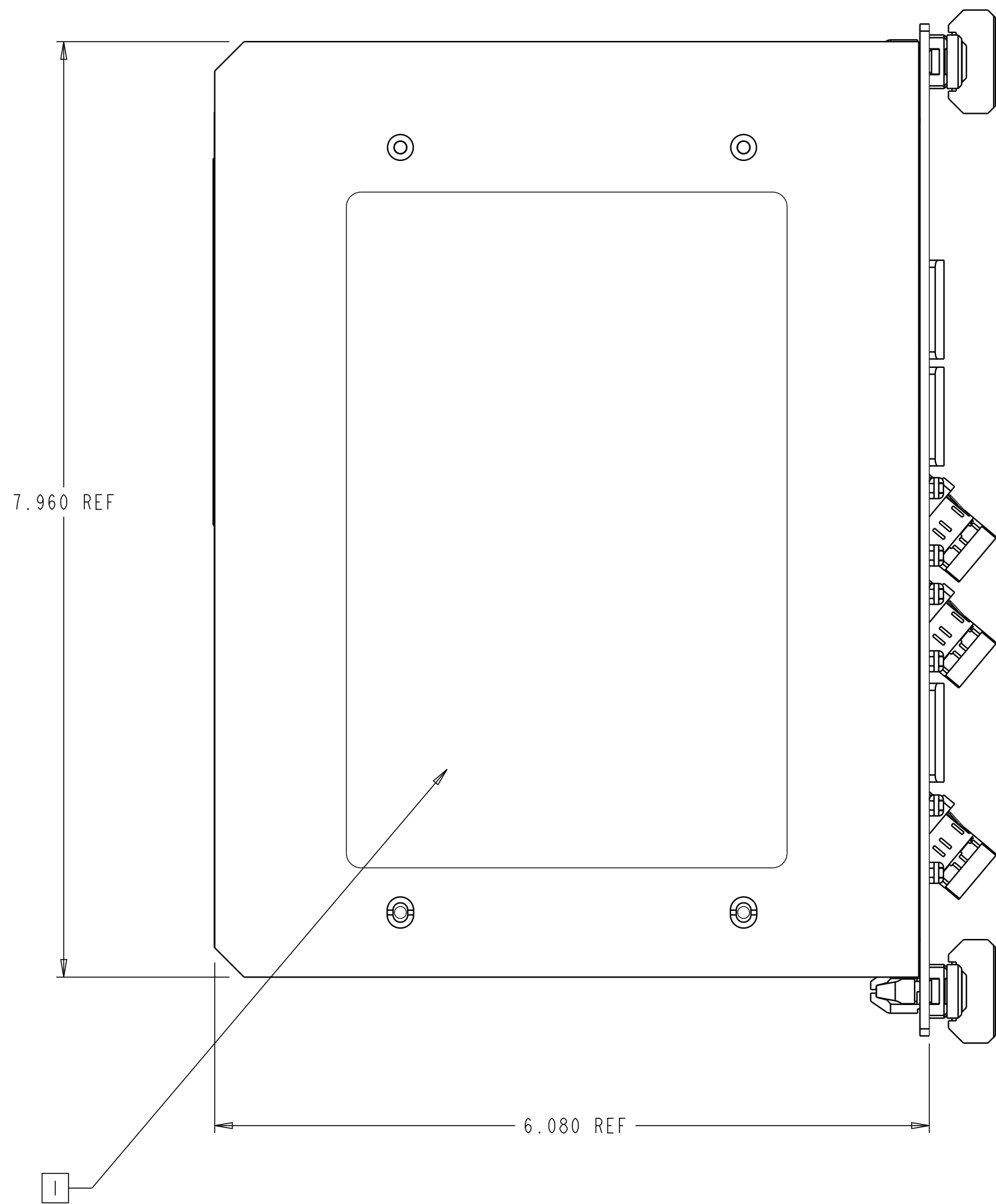


FPS-SPAINSS	(1) SMLC ADAPTER/ RED RETAINER	(5-8) SMLC ADAPTER/ BLACK RETAINER
FPS-SPAIUSS	(1,7) SMALC ADAPTER/ RED RETAINER	(3-6,9-12) SMALC ADAPTER/ BLACK RETAINER
FPS-SPAIN0J	(1) 2M PIGTAIL/ RED RETAINER	(3-6) SMASC ADAPTER/ BLACK RETAINER
FPS-SPAINJJ	(1) SMASC ADAPTER/ RED RETAINER	(3-6) SMASC ADAPTER/ BLACK RETAINER
FPS-SPAIN88	(1) SMLC ADAPTER/ RED RETAINER	(5-8) SMLC ADAPTER/ BLACK RETAINER
CATALOG NUMBER	INPUTS: (PORTS) DESCRIPTION	OUTPUTS: (PORTS) DESCRIPTION

REV	MCO	DWN	DATE
F	20334826	GGL	21-DEC-12
G	40032778MCO	OAVL	09-AUG-16



NOTES:

- 1 LABEL SHOWS CIRCUIT SCHEMATIC.
- 2. TEST RESULTS INCLUDED WITH MODULE.

COMMSCOPE, INC.

© 2016 COMMSCOPE, INC. CONFIDENTIAL NOTICE: THESE DRAWINGS AND SPECIFICATIONS ARE THE PROPRIETARY PROPERTY OF COMMSCOPE, INC. AND MAY BE USED ONLY FOR THE SPECIFIC PURPOSE AUTHORIZED IN WRITING BY COMMSCOPE, INC.		TITLE INSTALLATION DRW 1X4 FDF SPLITTERS	
ALL DIMS AND TOLERANCES ARE INCHES UNLESS OTHERWISE SPECIFIED	.XX:±N/A .XXX:±N/A ANGULAR:±N/A	C SIZE DRAWING NUMBER 1306951_ADC	G REV
DO NOT SCALE DRAWING	ENGR: F. AHMED DWN: F. AHMED	SHT. 1 OF 1	

DIMENSIONS IN INCHES
THIRD ANGLE PROJECTION