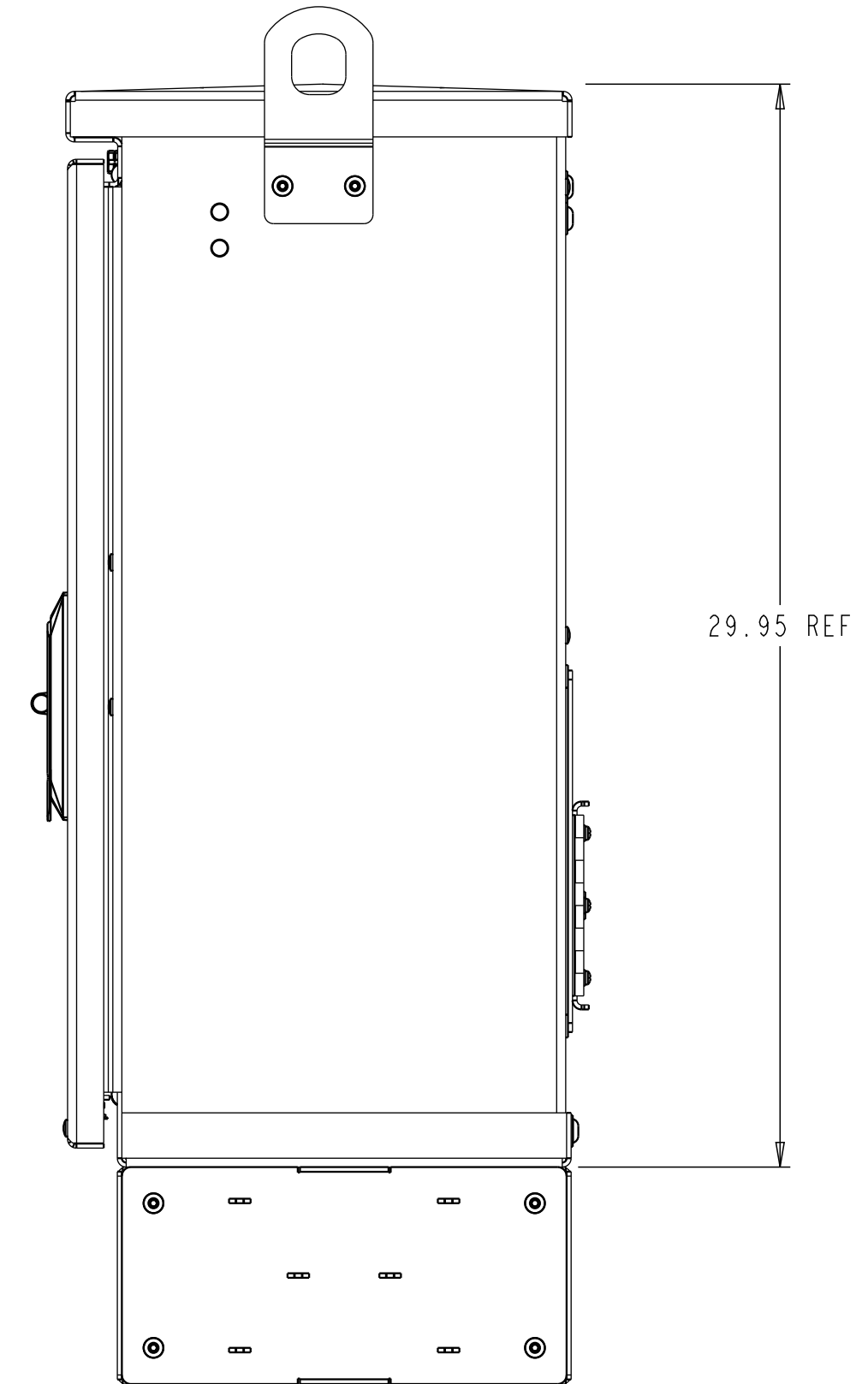
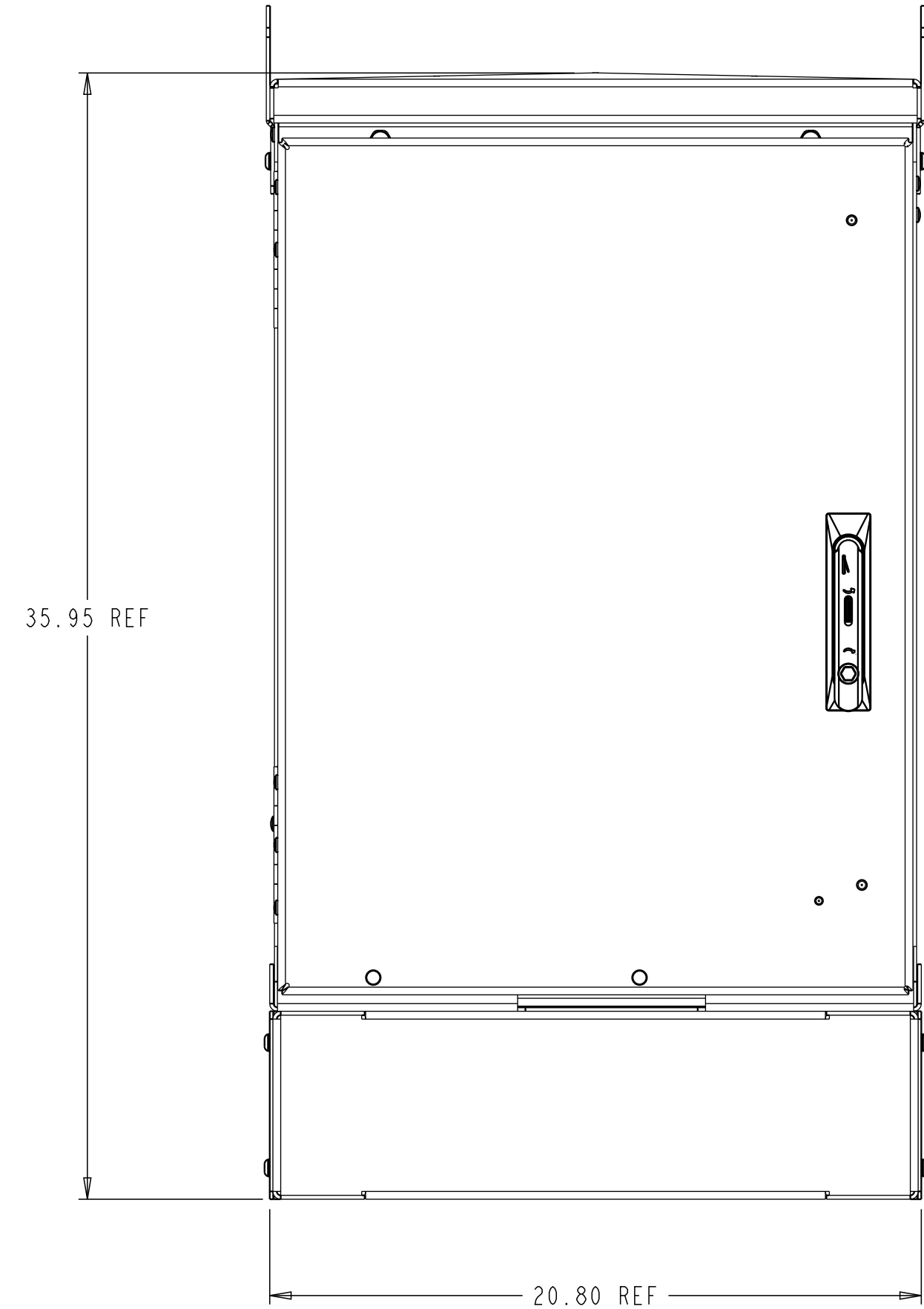
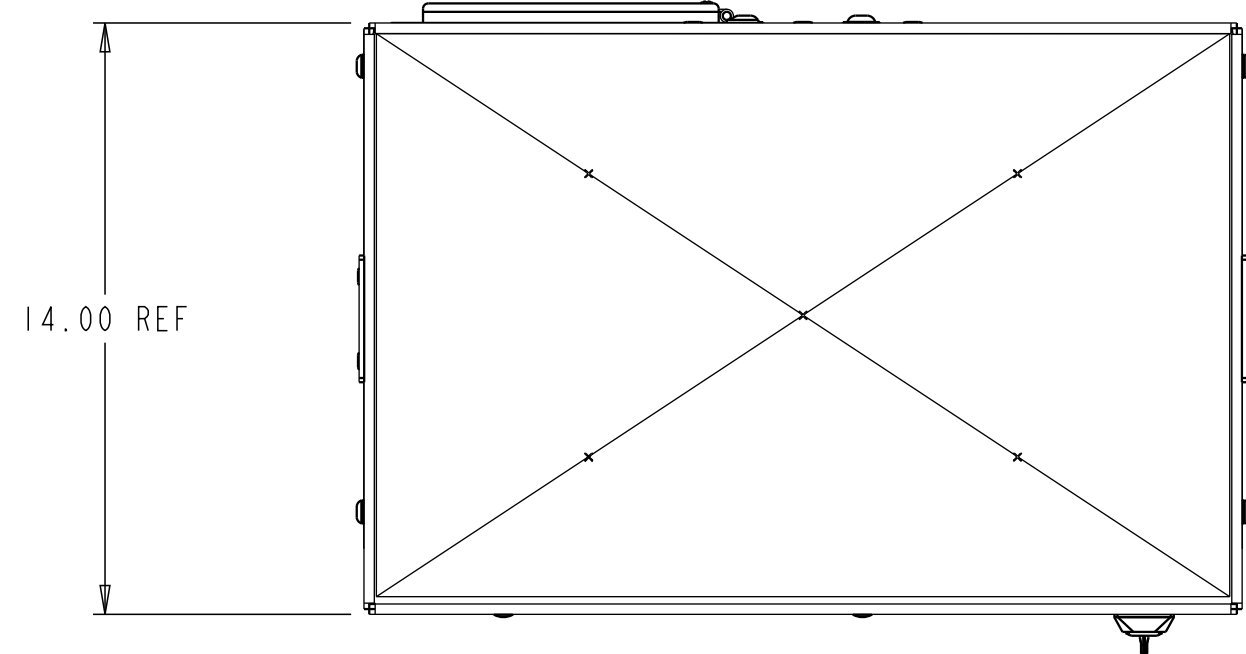


REV	MCO	DWN	DATE
F	40022080MCO	JST	28-MAY-15
G	40022080MCO	RCR	12-AUG-16



NOTES:
 1 PADLOCK IS NOT PROVIDED.

COMMSCOPE, INC.

<small>© 2016 COMMSCOPE, INC. CONFIDENTIAL NOTICE: THESE DRAWINGS AND SPECIFICATIONS ARE THE PROPRIETARY PROPERTY OF COMMSCOPE, INC. AND MAY BE USED ONLY FOR THE SPECIFIC PURPOSE AUTHORIZED IN WRITING BY COMMSCOPE, INC.</small>		TITLE 96/144 CABINET INST DRW FDH 3000	
<small>ALL DIMS AND TOLERANCES .XX:±N/A ARE INCHES UNLESS .XXX:±N/A OTHERWISE SPECIFIED ANGULAR:±N/A</small>		C SIZE DRAWING NUMBER 1446614_ADC	G REV
DO NOT SCALE DRAWING		ENGR: ARTURO BARRAZA DWN: GABRIEL VARELA C.	SHT. 1 OF 4



**DIMENSIONS IN INCHES
 THIRD ANGLE PROJECTION**

A

B

C

D

1

2

3

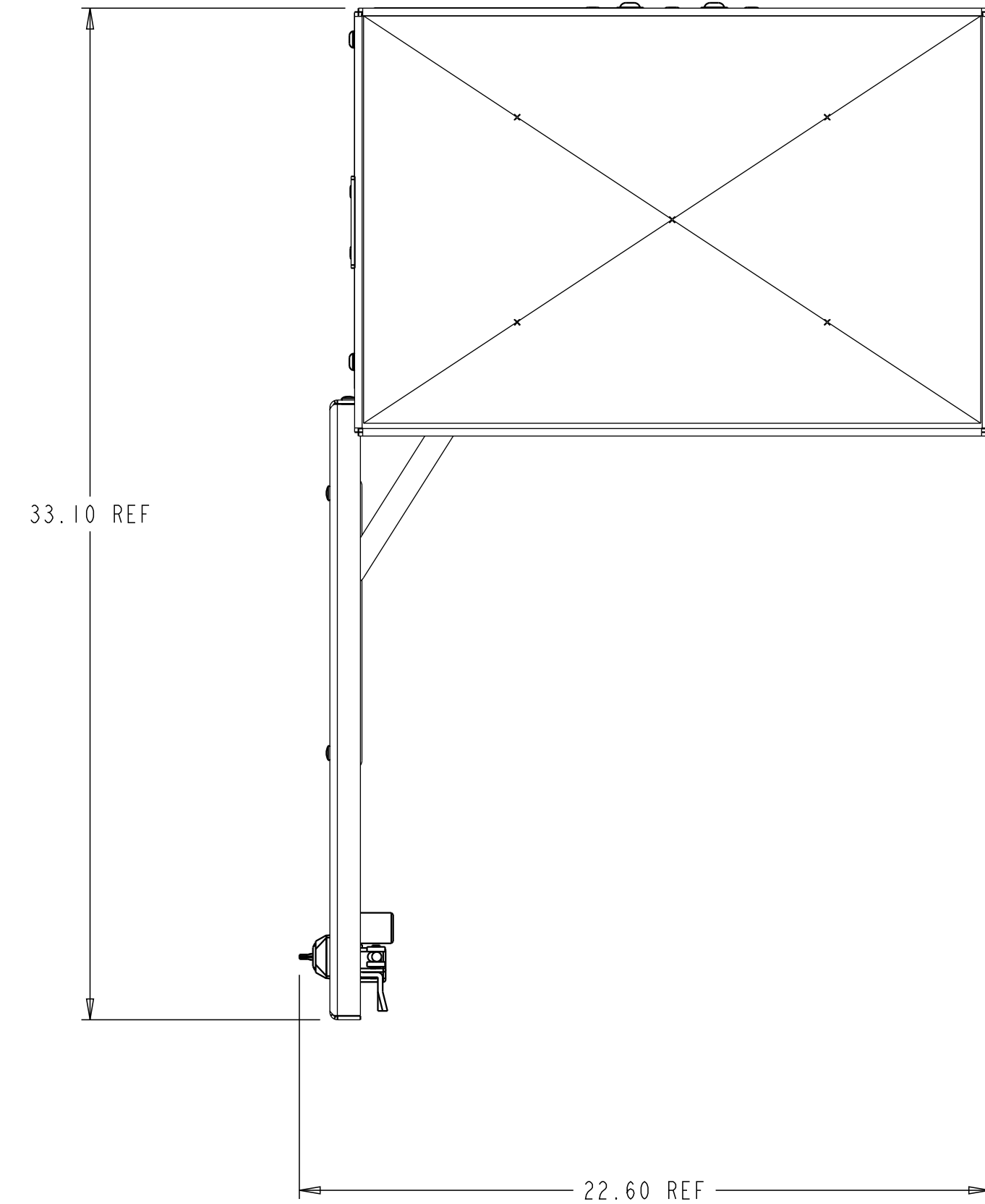
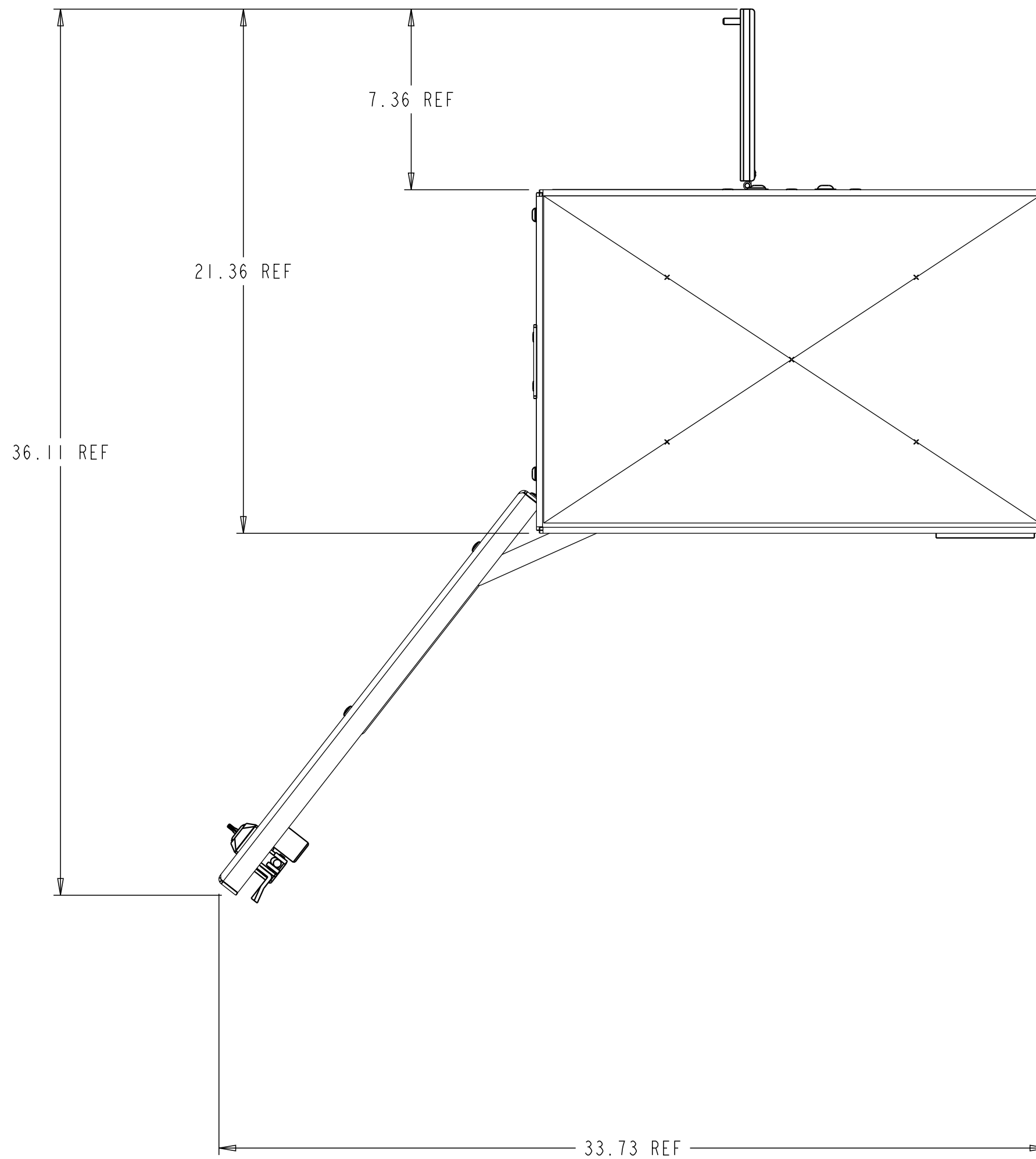
4

1

2

3

4



COMMSCOPE, INC.

© 2016 COMMSCOPE, INC. CONFIDENTIAL
 NOTICE: THESE DRAWINGS AND SPECIFICATIONS
 ARE THE PROPRIETARY PROPERTY OF
 COMMSCOPE, INC. AND MAY BE USED ONLY FOR THE
 SPECIFIC PURPOSE AUTHORIZED IN WRITING BY
 COMMSCOPE, INC.

TITLE 96/144 CABINET
 INST DRW FDH 3000

ALL DIMS AND TOLERANCES .XX:±N/A
 ARE INCHES UNLESS .XXX:±N/A
 OTHERWISE SPECIFIED ANGULAR:±N/A

C SIZE DRAWING NUMBER
 1446614_ADC

G REV

DO NOT SCALE DRAWING

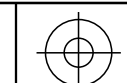
ENGR: ARTURO BARRAZA
 DWN: GABRIEL VARELA C.

SHT. 2 OF 4

A

B

C



**DIMENSIONS IN INCHES
 THIRD ANGLE PROJECTION**

A

B

C

D

1

2

3

4

1

2

3

4

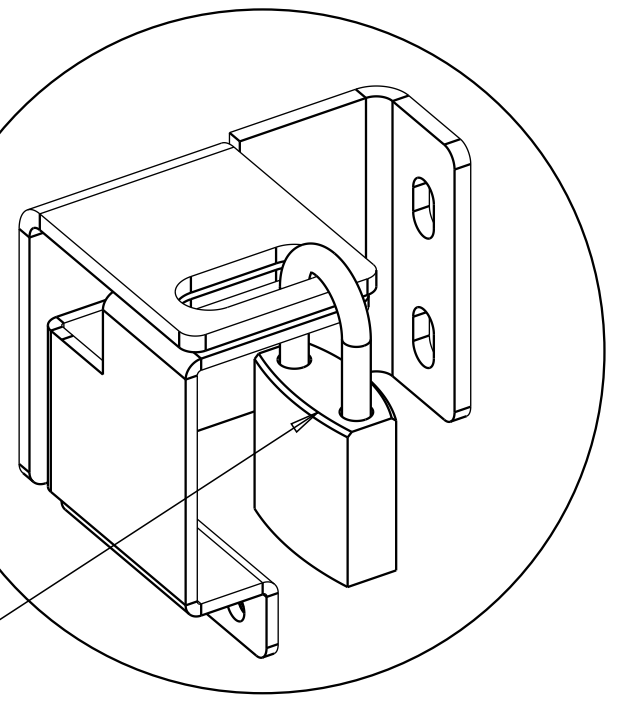
SPLITTER CHASSIS

SPLITTER MODULE

PADLOCK AREA
(SEE PADLOCK DETAIL)

DISTRIBUTION
PANELS

SPLITTER MODULE



PADLOCK DETAIL

FIBER SLACK STORAGE
RADIUS LIMITERS

CONNECTION STORAGE
PANEL

CAUTION

CAUTION

COMMSCOPE, INC.

© 2016 COMMSCOPE, INC. CONFIDENTIAL
NOTICE: THESE DRAWINGS AND SPECIFICATIONS
ARE THE PROPRIETARY PROPERTY OF
COMMSCOPE, INC. AND MAY BE USED ONLY FOR THE
SPECIFIC PURPOSE AUTHORIZED IN WRITING BY
COMMSCOPE, INC.

TITLE 96/144 CABINET
INST DRW FDH 3000

ALL DIMS AND TOLERANCES .XX:±N/A
ARE INCHES UNLESS .XXX:±N/A
OTHERWISE SPECIFIED ANGULAR:±N/A

C SIZE DRAWING NUMBER 1446614_ADC G REV

DO NOT SCALE DRAWING

ENGR: ARTURO BARRAZA
DWN: GABRIEL VARELA C.

SHT. 3 OF 4

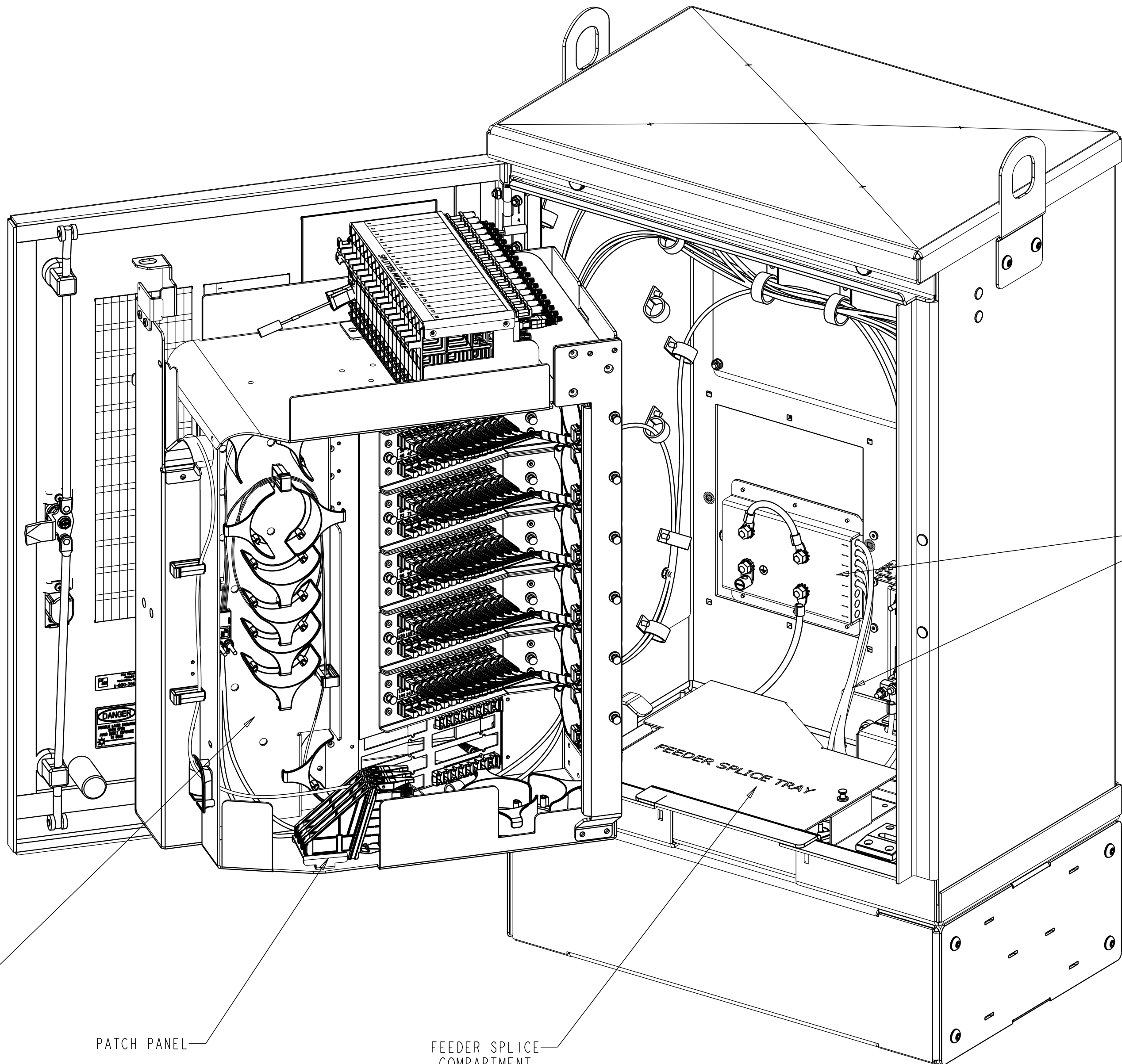
A

B

C



DIMENSIONS IN INCHES
THIRD ANGLE PROJECTION



FEEDER PANEL

PATCH PANEL

FEEDER SPICE COMPARTMENT

GROUNDING

COMMSCOPE, INC.

© 2016 COMMSCOPE, INC. CONFIDENTIAL
 NOTICE: THESE DRAWINGS AND SPECIFICATIONS
 ARE THE PROPRIETARY PROPERTY OF
 COMMSCOPE, INC. AND MAY BE USED ONLY FOR THE
 SPECIFIC PURPOSE AUTHORIZED IN WRITING BY
 COMMSCOPE, INC.

TITLE 96/144 CABINET
 INST DRW FDH 3000

ALL DIMS AND TOLERANCES .XX:±N/A
 ARE INCHES UNLESS .XXX:±N/A
 OTHERWISE SPECIFIED ANGULAR:±N/A

C DRAWING NUMBER G
 SIZE 1446614_ADC REV

DO NOT SCALE DRAWING

ENGR: ARTURO BARRAZA
 DWN: GABRIEL VARELA C.

SHT. 4 OF 4

DIMENSIONS IN INCHES
 THIRD ANGLE PROJECTION