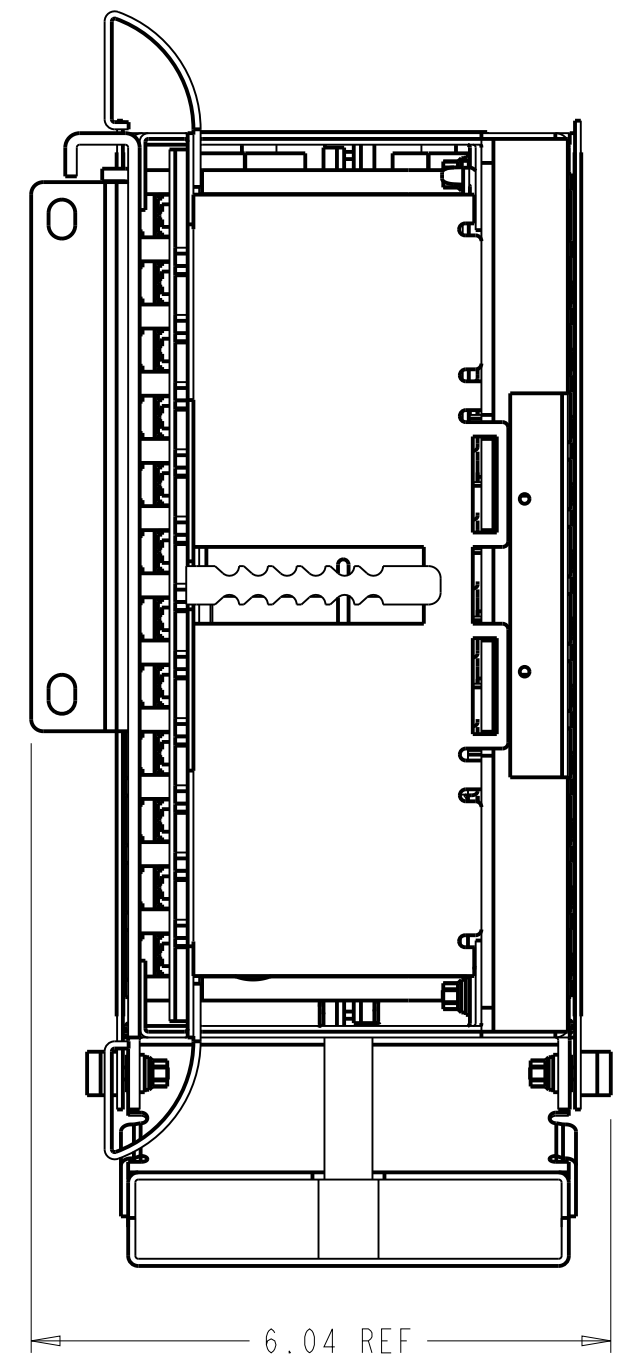
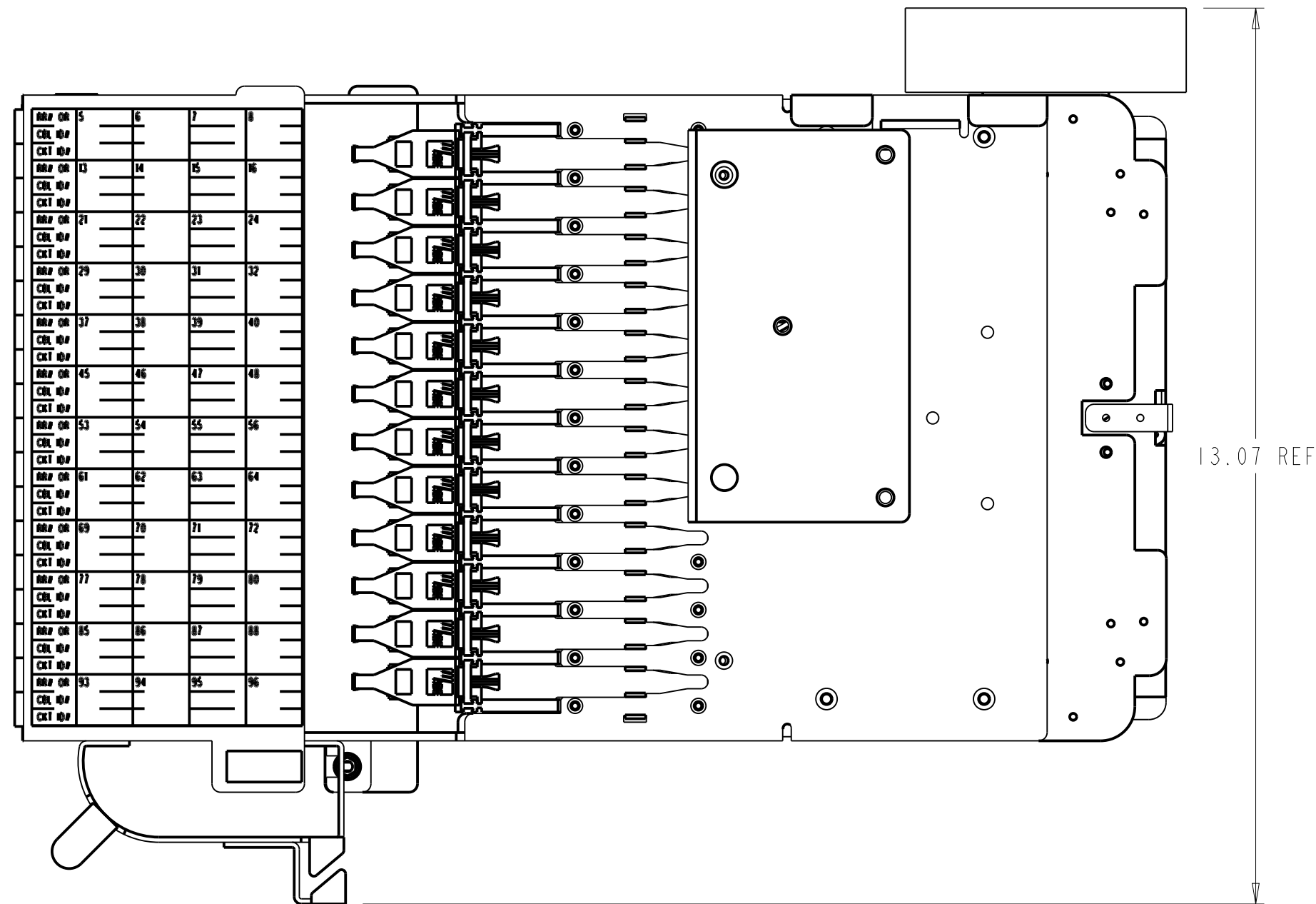
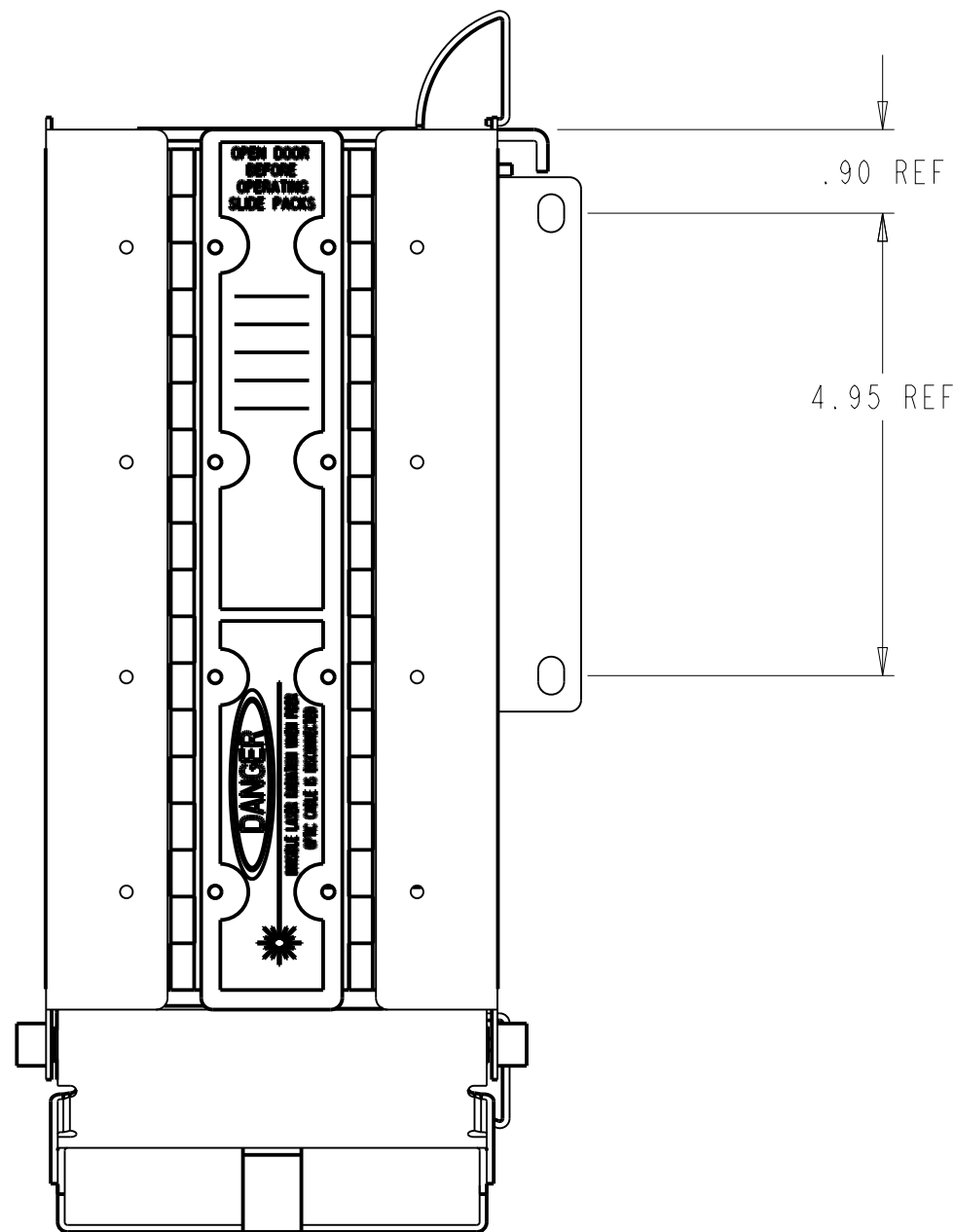
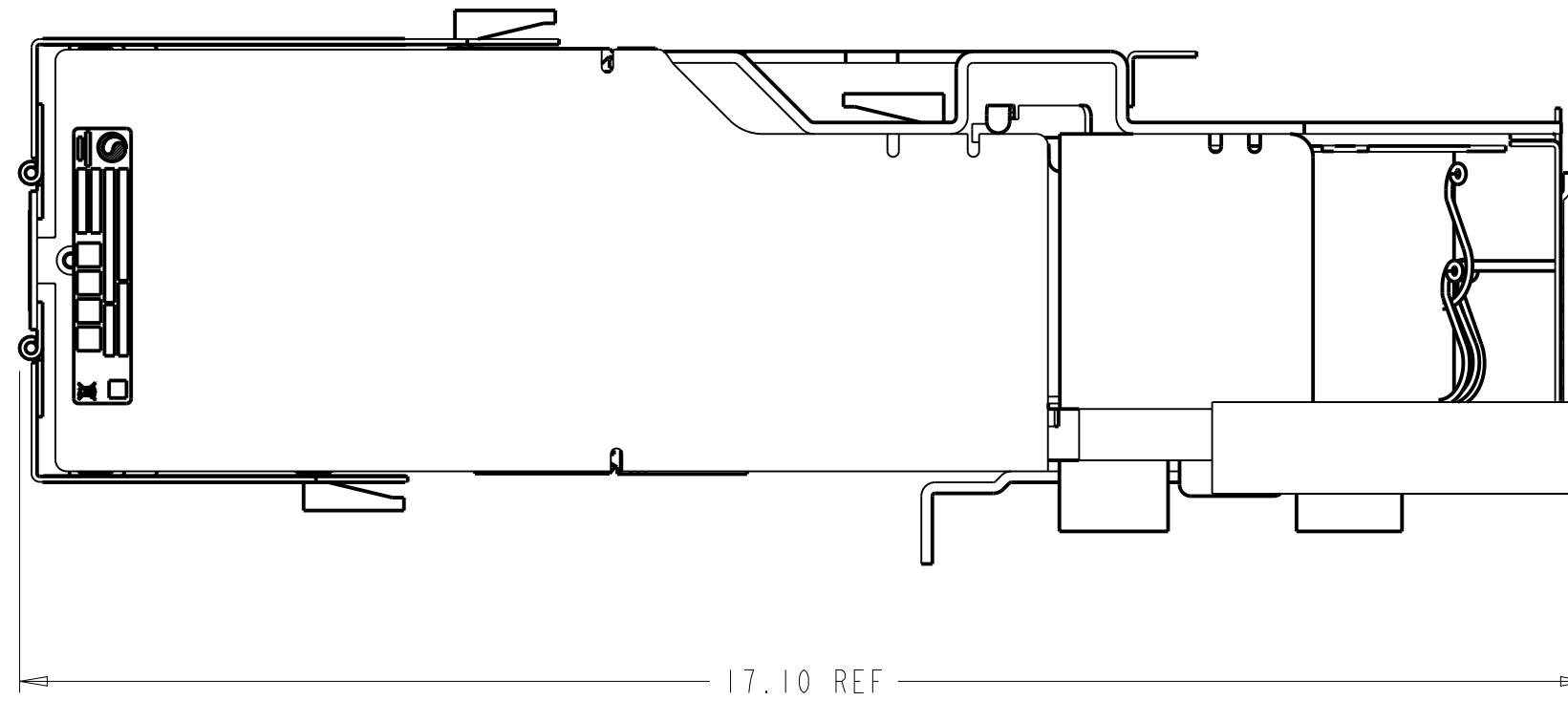


| REV | MCO | DWN | DATE |
|-----|------------|------|-----------|
| A | 20322315 | PSC | 15-MAR-12 |
| B | 8000019371 | NERI | 31-JAN-17 |



COMMSCOPE, INC.

© 2016 COMMSCOPE, INC. CONFIDENTIAL
NOTICE: THESE DRAWINGS AND SPECIFICATIONS
ARE THE PROPRIETARY PROPERTY OF
COMMSCOPE, INC. AND MAY BE USED ONLY FOR THE
SPECIFIC PURPOSE AUTHORIZED IN WRITING BY
COMMSCOPE, INC.

TITLE FTB, 96/144 POS, RIGHT
INSTALLATION DRAWING

ALL DIMS AND TOLERANCES .XX:±N/A
ARE INCHES UNLESS .XXX:±N/A
OTHERWISE SPECIFIED ANGULAR:±N/A

C DRAWING NUMBER B
SIZE 300001749818 REV

DO NOT SCALE DRAWING

ENGR: JUAN CARLOS ANAYA
DWN: P. SALAZAR

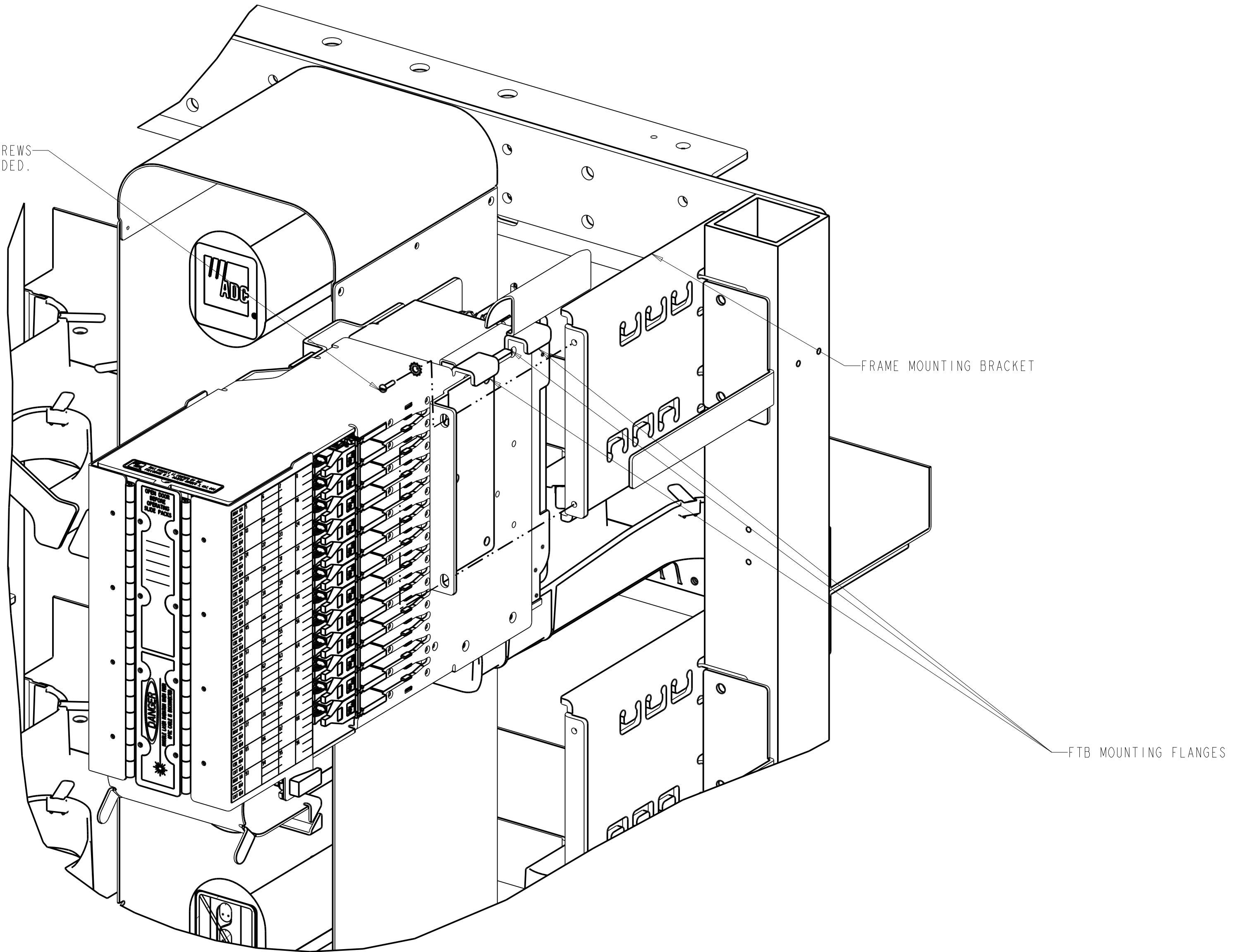
SHT. 1 OF 5

DIMENSIONS IN INCHES
THIRD ANGLE PROJECTION

FTB INSTALLATION INSTRUCTIONS:

POSITION FTB SUCH THAT THE MOUNTING BRACKET LOCATED ON THE FRAME SLIDES BETWEEN THE FLANGES ON THE FTB, FASTEN FTB TO FRAME USING (2) #12 SCREWS AND (2) STARWASHERS. (SEE DETAIL A)

INSTALL FTB TO FRAME USING (2) SCREWS AND (2) STAR WASHERS PROVIDED.



DETAIL A
FTB INSTALLATION

COMMSCOPE, INC.

© 2016 COMMSCOPE, INC. CONFIDENTIAL
NOTICE: THESE DRAWINGS AND SPECIFICATIONS ARE THE PROPRIETARY PROPERTY OF COMMSCOPE, INC. AND MAY BE USED ONLY FOR THE SPECIFIC PURPOSE AUTHORIZED IN WRITING BY COMMSCOPE, INC.

ALL DIMS AND TOLERANCES .XX:±N/A
ARE INCHES UNLESS .XXX:±N/A
OTHERWISE SPECIFIED ANGULAR:±N/A

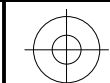
DO NOT SCALE DRAWING

TITLE FTB, 96/144 POS, RIGHT
INSTALLATION DRAWING

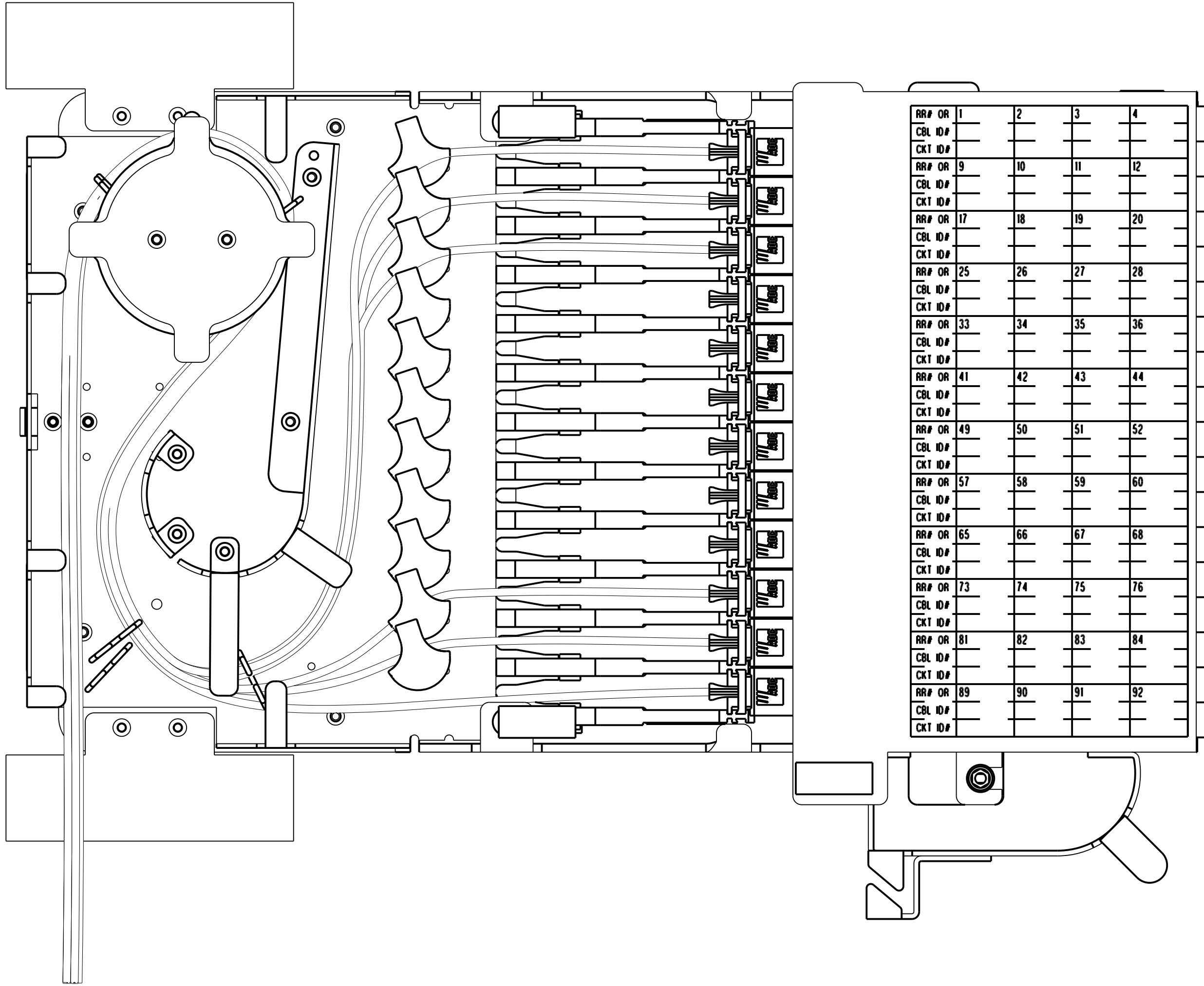
| | | |
|-----------|--------------------------------|----------|
| C SIZE | DRAWING NUMBER 300001749818 | B REV |
|-----------|--------------------------------|----------|

ENGR: JUAN CARLOS ANAYA
DWN: P. SALAZAR

SHT. 2 OF 5



DIMENSIONS IN INCHES
THIRD ANGLE PROJECTION



JUMPER ROUTING
FOR CABLE EXIT UP

ROUTE JUMPERS WITH ADAPTER PACK
IN "OUT" POSITION TO INSURE
SUFFICIENT JUMPER SLACK FOR
ADAPTER PACK MOVEMENT.

COMMSCOPE, INC.

© 2016 COMMSCOPE, INC. CONFIDENTIAL
NOTICE: THESE DRAWINGS AND SPECIFICATIONS
ARE THE PROPRIETARY PROPERTY OF
COMMSCOPE, INC. AND MAY BE USED ONLY FOR THE
SPECIFIC PURPOSE AUTHORIZED IN WRITING BY
COMMSCOPE, INC.
ALL DIMS AND TOLERANCES .XX:±N/A
ARE INCHES UNLESS .XXX:±N/A
OTHERWISE SPECIFIED ANGULAR:±N/A
DO NOT SCALE DRAWING

TITLE FTB, 96/144 POS, RIGHT
INSTALLATION DRAWING
DRAWING NUMBER 300001749818
ENGR: JUAN CARLOS ANAYA
DWN: P. SALAZAR
SHT. 3 OF 5

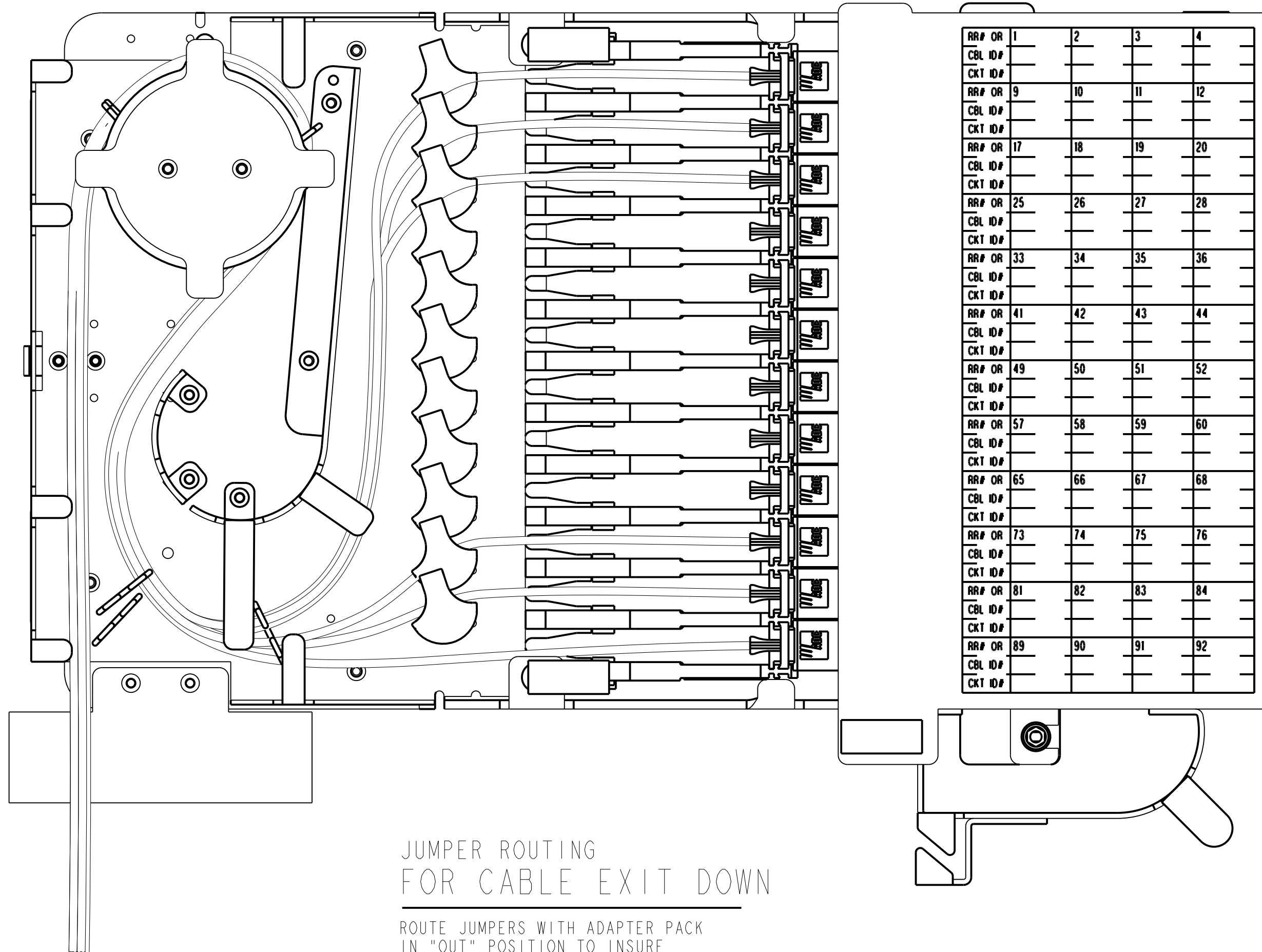
DIMENSIONS IN INCHES
THIRD ANGLE PROJECTION

A

B

C

D



| | | | | |
|---------|----|----|----|----|
| RR# OR | 1 | 2 | 3 | 4 |
| CBL ID# | | | | |
| CKT ID# | | | | |
| RR# OR | 9 | 10 | 11 | 12 |
| CBL ID# | | | | |
| CKT ID# | | | | |
| RR# OR | 17 | 18 | 19 | 20 |
| CBL ID# | | | | |
| CKT ID# | | | | |
| RR# OR | 25 | 26 | 27 | 28 |
| CBL ID# | | | | |
| CKT ID# | | | | |
| RR# OR | 33 | 34 | 35 | 36 |
| CBL ID# | | | | |
| CKT ID# | | | | |
| RR# OR | 41 | 42 | 43 | 44 |
| CBL ID# | | | | |
| CKT ID# | | | | |
| RR# OR | 49 | 50 | 51 | 52 |
| CBL ID# | | | | |
| CKT ID# | | | | |
| RR# OR | 57 | 58 | 59 | 60 |
| CBL ID# | | | | |
| CKT ID# | | | | |
| RR# OR | 65 | 66 | 67 | 68 |
| CBL ID# | | | | |
| CKT ID# | | | | |
| RR# OR | 73 | 74 | 75 | 76 |
| CBL ID# | | | | |
| CKT ID# | | | | |
| RR# OR | 81 | 82 | 83 | 84 |
| CBL ID# | | | | |
| CKT ID# | | | | |
| RR# OR | 89 | 90 | 91 | 92 |
| CBL ID# | | | | |
| CKT ID# | | | | |

JUMPER ROUTING
FOR CABLE EXIT DOWN

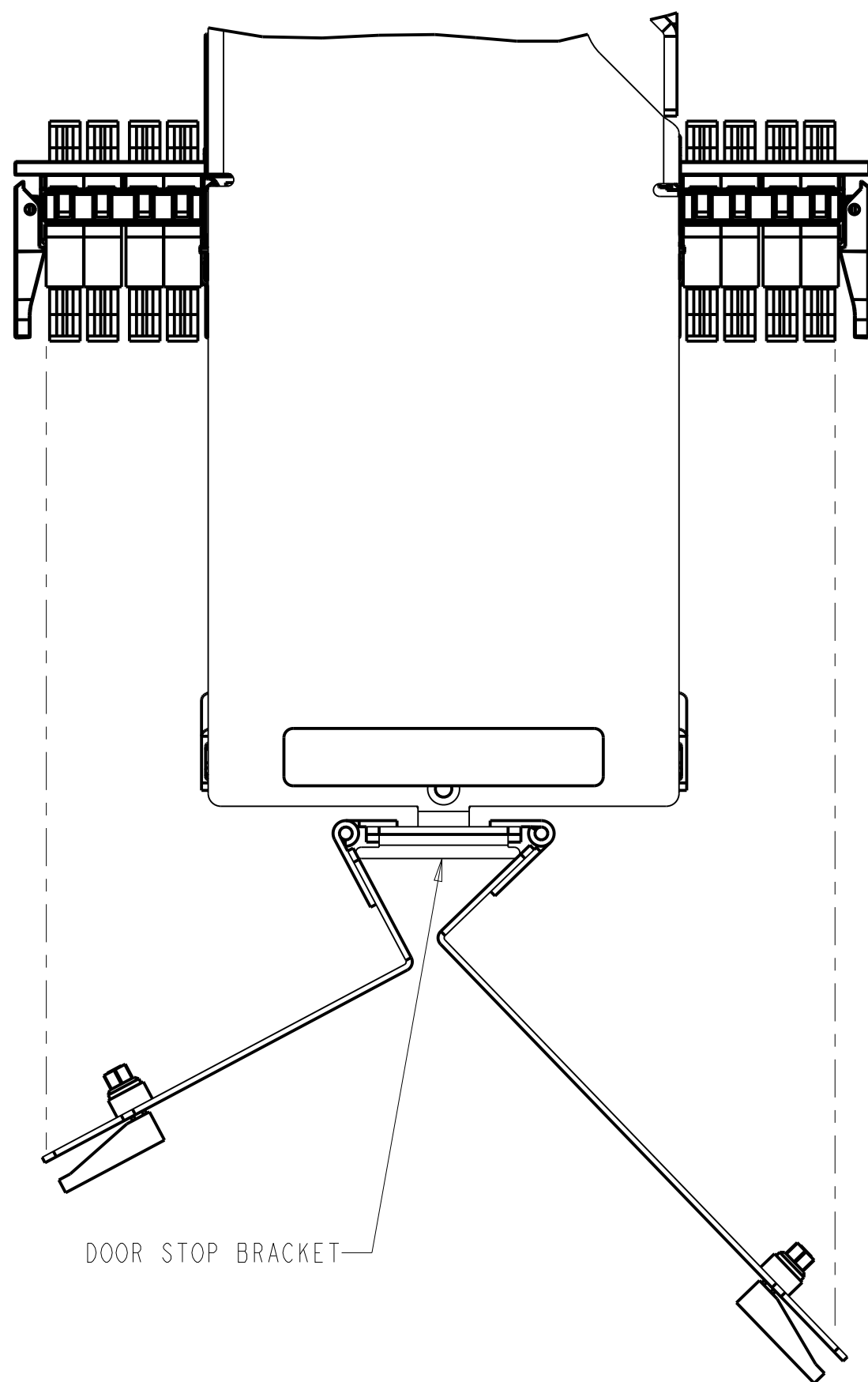
ROUTE JUMPERS WITH ADAPTER PACK
IN "OUT" POSITION TO INSURE
SUFFICIENT JUMPER SLACK FOR
ADAPTER PACK MOVEMENT.

COMMSCOPE, INC.

| | | | |
|---------------------------------------------------------------------------------------------------------------------------------------------------------------------------------------------------------------------------------------------------------|--------------------------------------------|---------------------------------------------------------|----------|
| <small>© 2016 COMMSCOPE, INC. CONFIDENTIAL NOTICE: THESE DRAWINGS AND SPECIFICATIONS ARE THE PROPRIETARY PROPERTY OF COMMSCOPE, INC. AND MAY BE USED ONLY FOR THE SPECIFIC PURPOSE AUTHORIZED IN WRITING BY COMMSCOPE, INC.</small> | | TITLE FTB, 96/144 POS, RIGHT INSTALLATION DRAWING | |
| <small>ALL DIMS AND TOLERANCES .XX:±N/A ARE INCHES UNLESS .XXX:±N/A OTHERWISE SPECIFIED ANGULAR:±N/A</small> | C SIZE | DRAWING NUMBER 300001749818 | B REV |
| DO NOT SCALE DRAWING | ENGR: JUAN CARLOS ANAYA DWN: P. SALAZAR | SHT. 4 OF 5 | |



 DIMENSIONS IN INCHES
 THIRD ANGLE PROJECTION

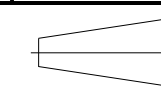
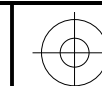


DOOR STOP BRACKET

DOOR STOP BRACKET ASSEMBLED TO TERMINATION BLOCKS
WITH SPECIAL -TM OPTION RESTRICTS OPENING OF
DOORS SO SLIDING ADAPTER PACKS DO NOT EXTEND
PAST OPEN DOORS

COMMSCOPE, INC.

| | | | |
|---------------------------------------------------------------------------------------------------------------------------------------------------------------------------------------------------------------------------------------------------------|--------------------------------------------|---------------------------------------------------------|----------|
| <small>© 2016 COMMSCOPE, INC. CONFIDENTIAL NOTICE: THESE DRAWINGS AND SPECIFICATIONS ARE THE PROPRIETARY PROPERTY OF COMMSCOPE, INC. AND MAY BE USED ONLY FOR THE SPECIFIC PURPOSE AUTHORIZED IN WRITING BY COMMSCOPE, INC.</small> | | TITLE FTB, 96/144 POS, RIGHT INSTALLATION DRAWING | |
| <small>ALL DIMS AND TOLERANCES .XX:±N/A ARE INCHES UNLESS .XXX:±N/A OTHERWISE SPECIFIED ANGULAR:±N/A</small> | C SIZE | DRAWING NUMBER 300001749818 | B REV |
| DO NOT SCALE DRAWING | ENGR: JUAN CARLOS ANAYA DWN: P. SALAZAR | SHT. 5 OF 5 | |



DIMENSIONS IN INCHES
THIRD ANGLE PROJECTION