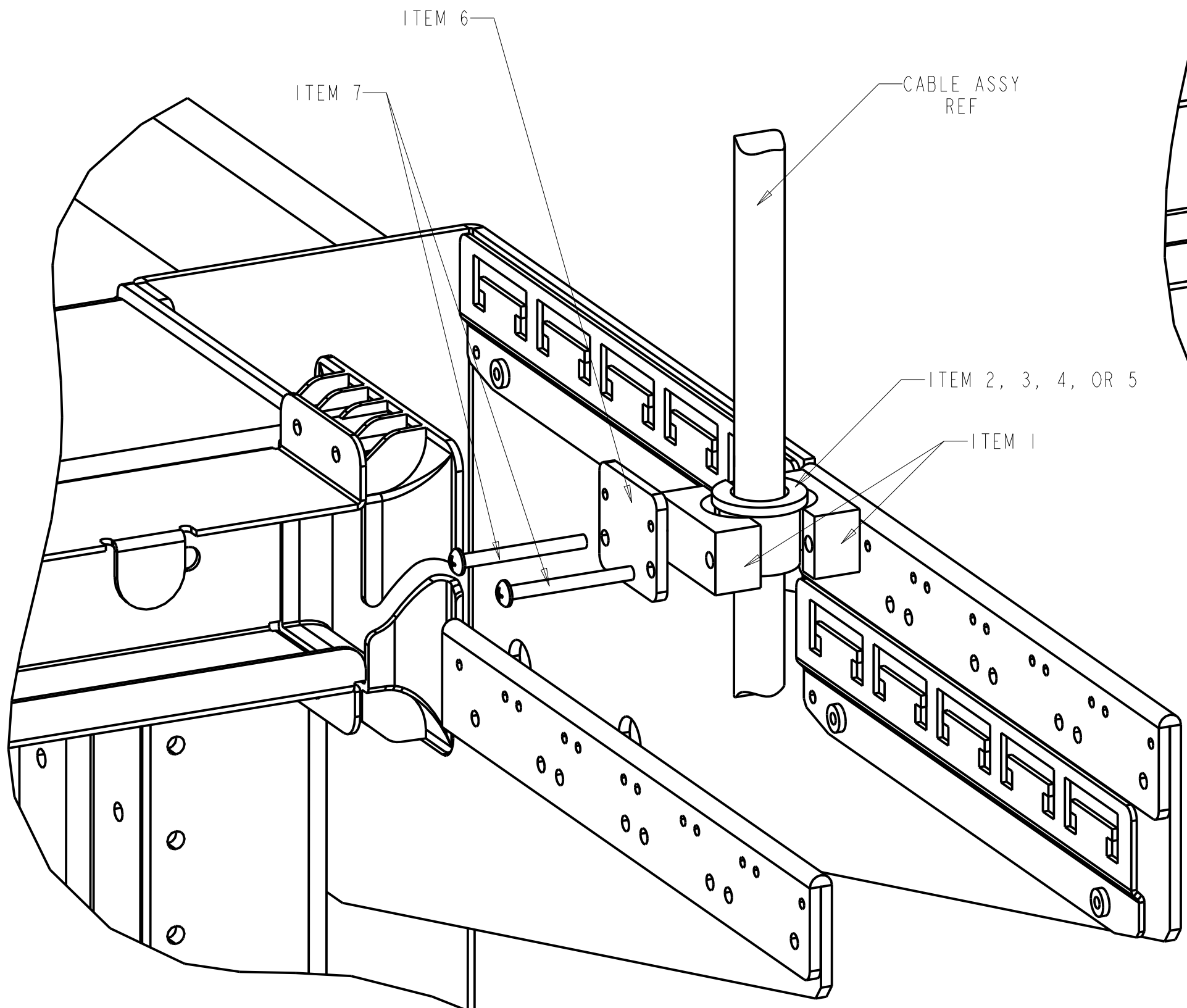
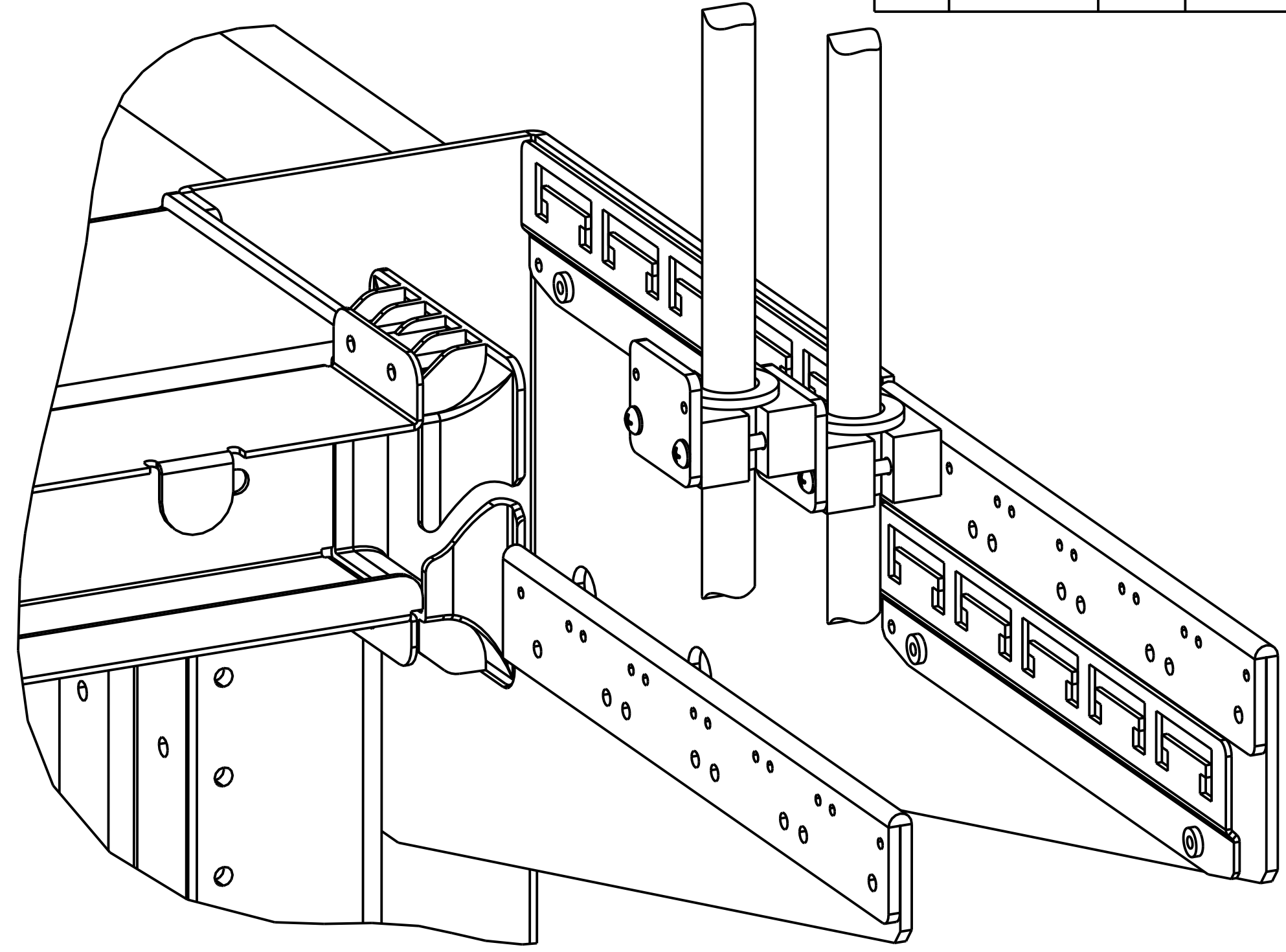


REV	MCO	DWN	DATE
A	20339828	JGA	29-APR-13
B	8000019180	SC	18-JAN-17



SINGLE CLAMP INSTALLATION



DOUBLE CLAMP INSTALLATION

KIT CONTENTS		
ITEM	DESCRIPTION	QTY
1	CABLE CLAMP YOKE	12
2	CABLE GROMMET .40 ID	6
3	CABLE GROMMET .50 ID	6
4	CABLE GROMMET .60 ID	6
5	CABLE GROMMET .70 ID	6
6	COVER PLATE	6
7	#6 SCREW	12
8	INSTALLATION DRAWING	1

- NOTES:
1. SELECT THE GROMMET WHOSE INSIDE DIAMETER IS THE NEXT SIZE SMALLER THAN THE DIAMETER OF THE CABLE. FOR EXAMPLE, IF CABLE IS .57 INCHES IN DIAMETER, SELECT THE .50 INCH GROMMET.
  2. ASSEMBLE CLAMP AS SHOWN.
  3. TIGHTEN SCREWS UNTIL YOKES BOTTOM OUT ON EACH OTHER.
  4. TIGHEN SCREWS ANOTHER FOUR REVOLUTIONS TO SECURE CABLE.

CATALOG NO.: NG4-ACCCLMPEXP1

COMMSCOPE, INC.

<small>© 2016 COMMSCOPE, INC. CONFIDENTIAL          NOTICE: THESE DRAWINGS AND SPECIFICATIONS ARE THE PROPRIETARY PROPERTY OF COMMSCOPE, INC. AND MAY BE USED ONLY FOR THE SPECIFIC PURPOSE AUTHORIZED IN WRITING BY COMMSCOPE, INC.</small>		TITLE INSTL DWG, CABLE CLAMP EXT KIT, NG4	
<small>ALL DIMS AND TOLERANCES ARE INCHES UNLESS OTHERWISE SPECIFIED</small>	<small>.XX:±N/A .XXX:±N/A ANGULAR:±N/A</small>	C SIZE 300001763659	B REV
DO NOT SCALE DRAWING		ENGR: JIM SOLHEID DWN: TIM HAATAJA	SHT. 1 OF 1

DIMENSIONS IN INCHES  
THIRD ANGLE PROJECTION