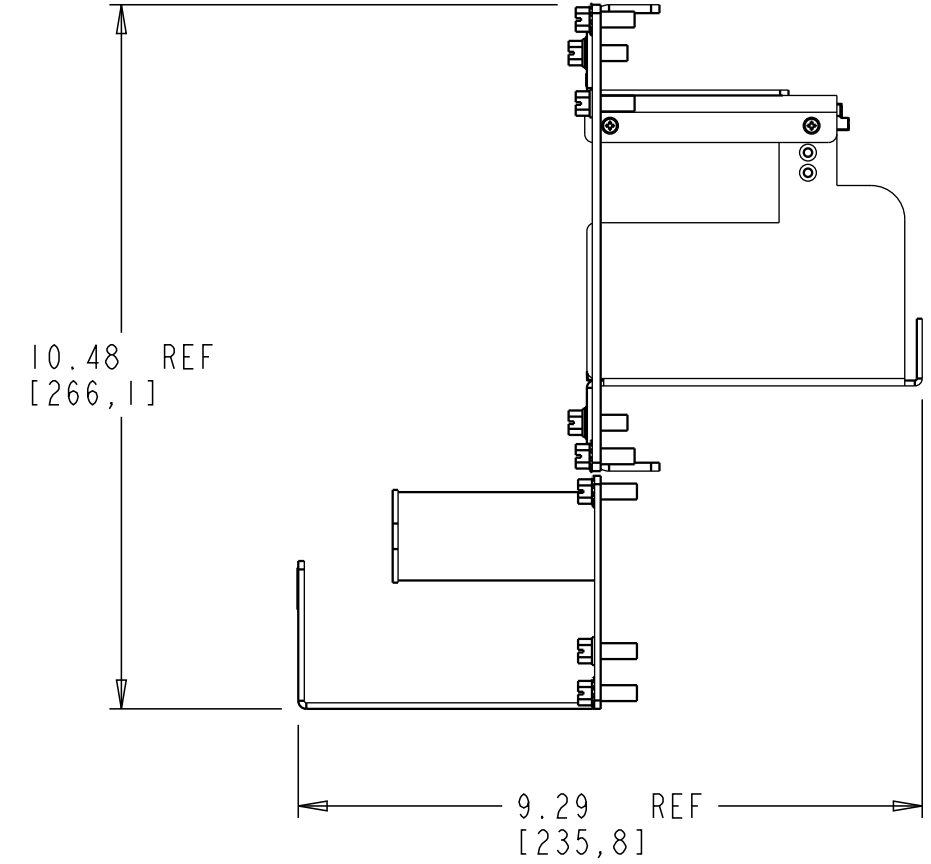
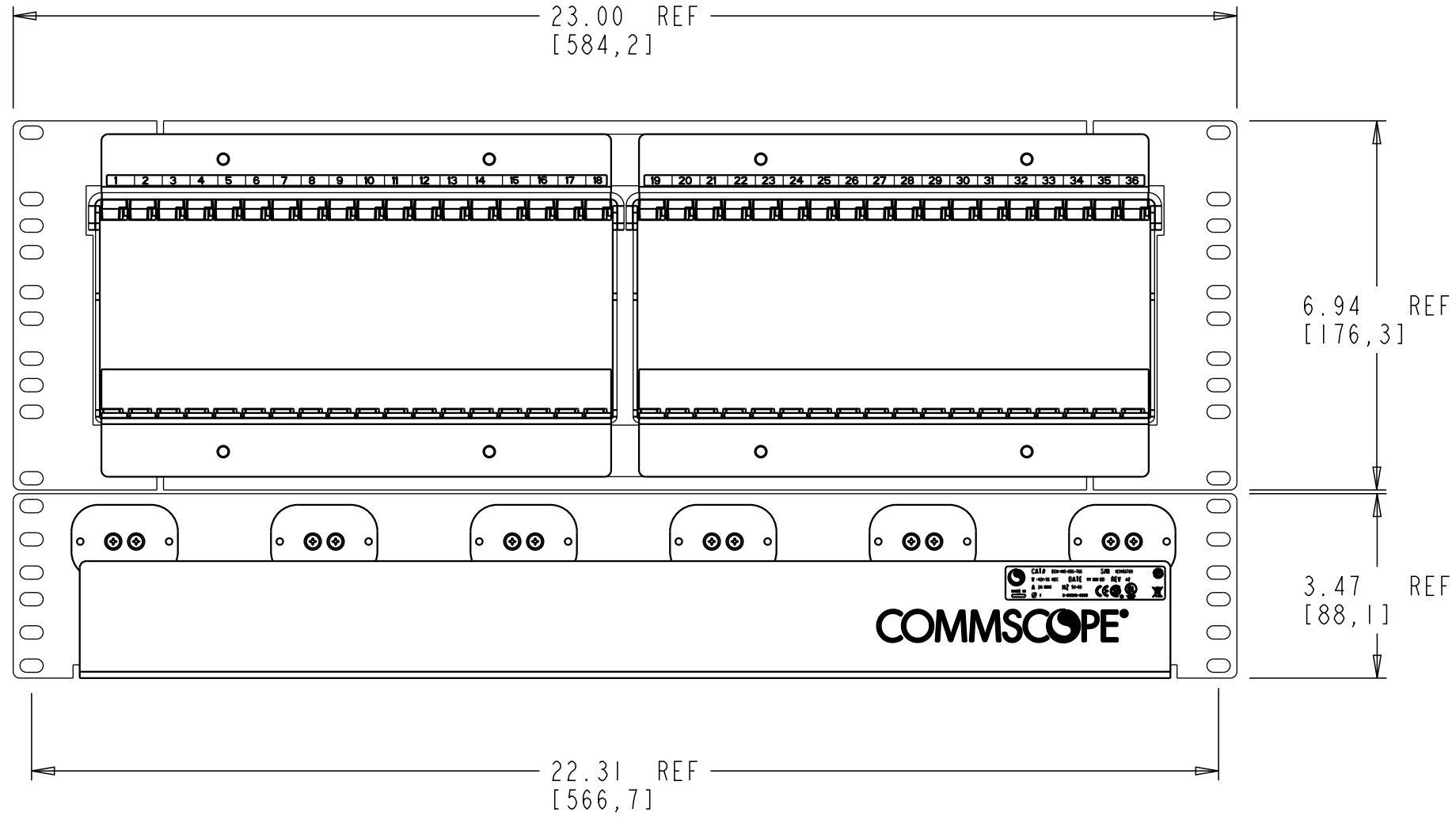
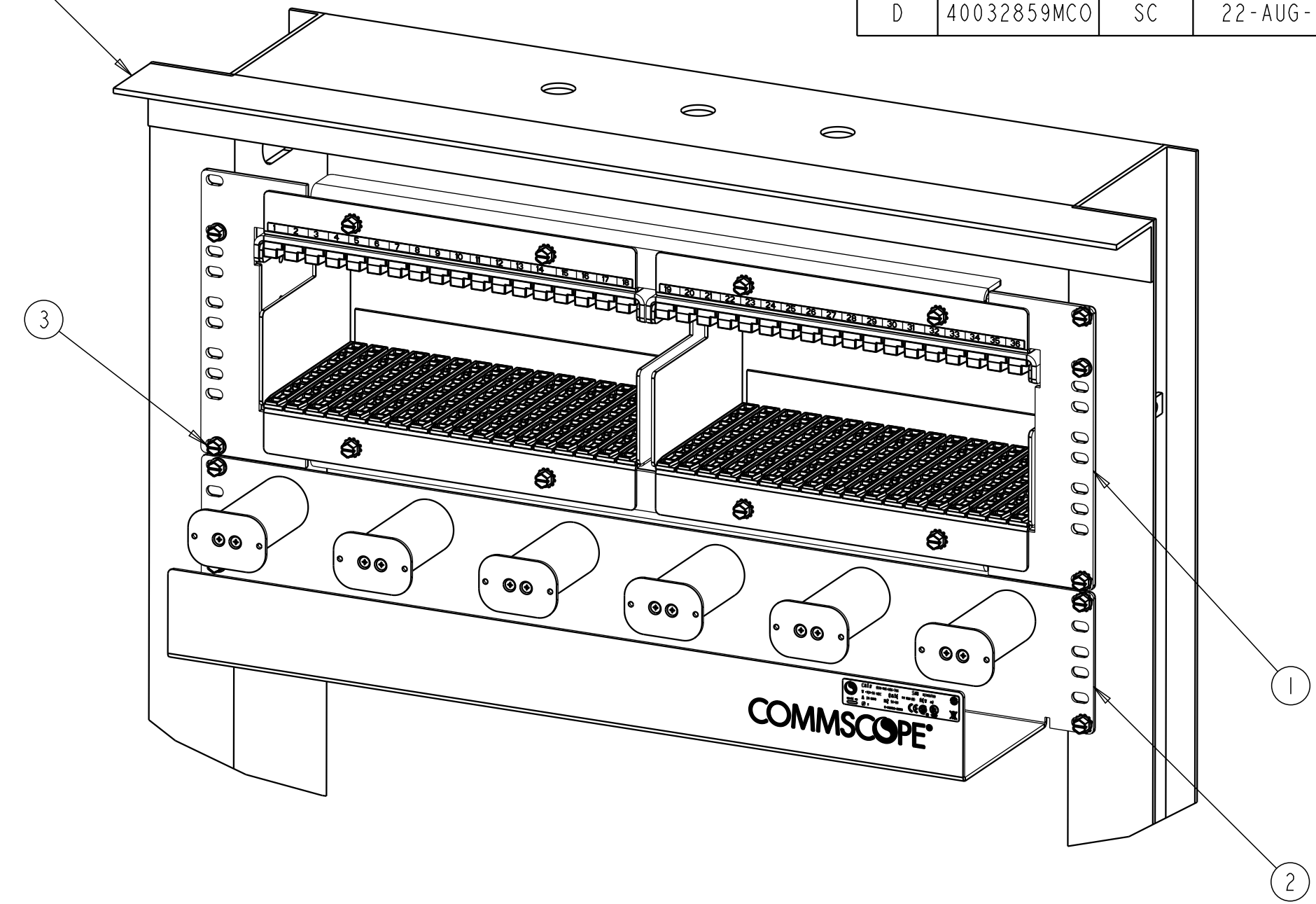
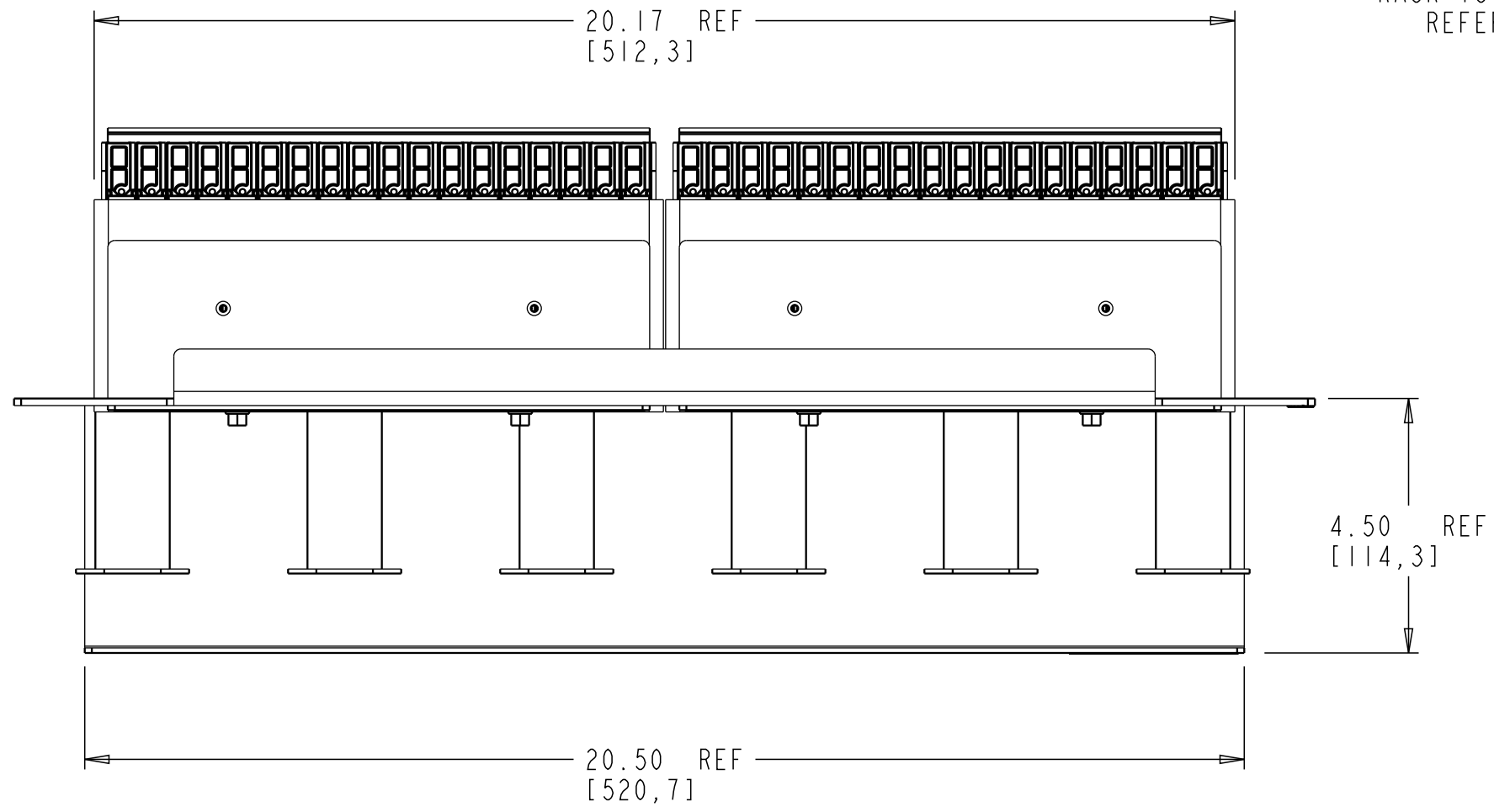


REV.	MCO	DWN	DATE
C	40013789MCO	JST	28-APR-14
D	40032859MCO	SC	22-AUG-16

RACK IS SHOWN FOR REFERENCE ONLY



ITEMS PROVIDED		
ITEM #	DESCRIPTION	QTY
1	36 SPLITTER SLOTS PANEL	1
2	CABLE MANAGEMENT	1
3	MOUNTING SCREWS 12-24	8
4	2 SETS OF STRIPS LABELED 1 THRU 36	72
5	6-INCH VELCRO, ONE WRAP	12

COMMSCOPE, INC.

© 2016 COMMSCOPE, INC. CONFIDENTIAL NOTICE: THESE DRAWINGS AND SPECIFICATIONS ARE THE PROPRIETARY PROPERTY OF COMMSCOPE, INC. AND MAY BE USED ONLY FOR THE SPECIFIC PURPOSE AUTHORIZED IN WRITING BY COMMSCOPE, INC.		TITLE PNP 36 POS INST DRAWING	
ALL DIMS AND TOLERANCES .XX:±N/A ARE INCHES UNLESS .XXX:±N/A OTHERWISE SPECIFIED ANGULAR:±N/A		C SIZE	D REV
DO NOT SCALE DRAWING		DRAWING NUMBER 300100101187	SHT. 1 OF 1
ENGR: ARTURO MAYA DWN: JORGE SOTO			

DIMENSIONS IN INCHES
THIRD ANGLE PROJECTION