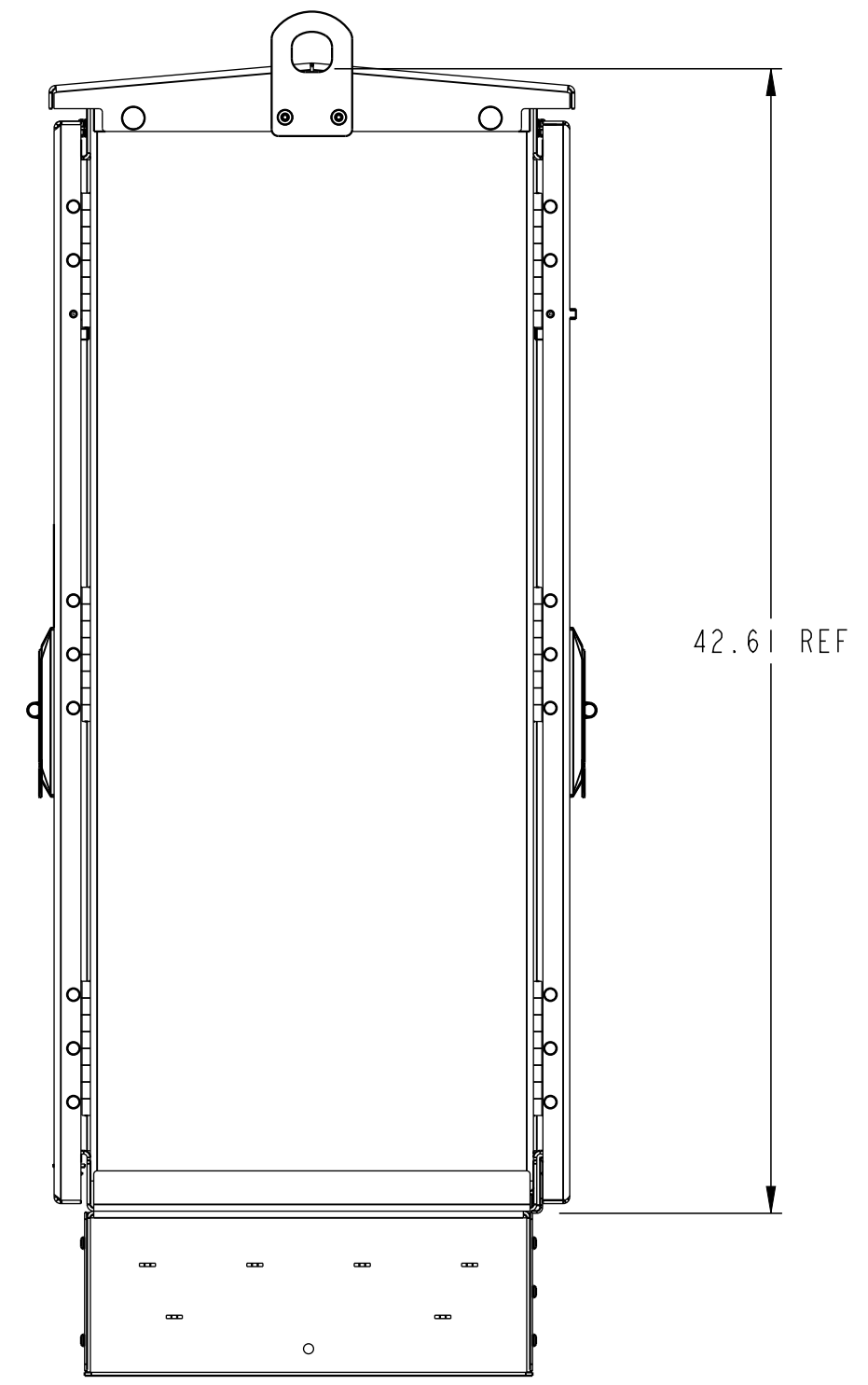
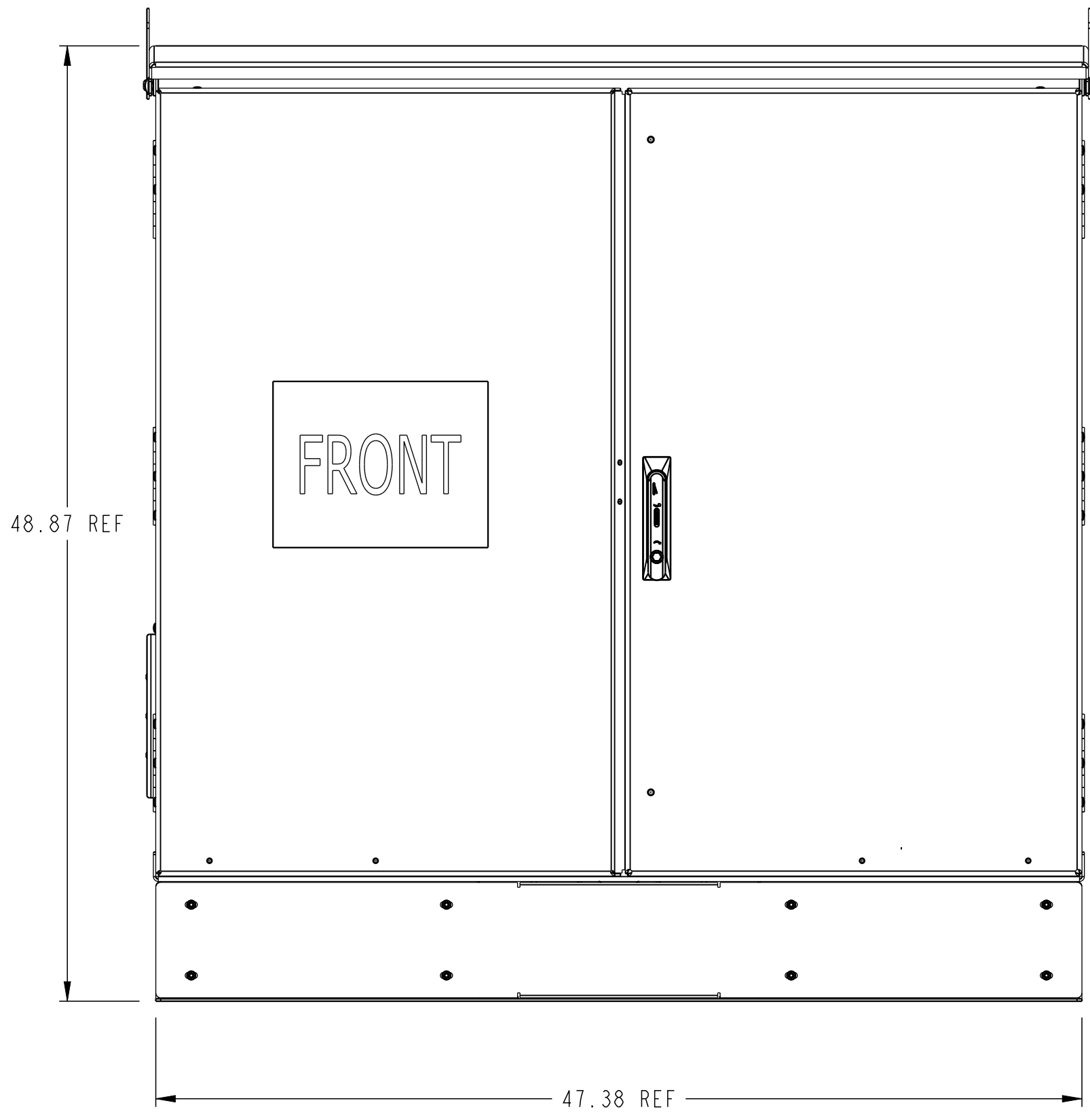
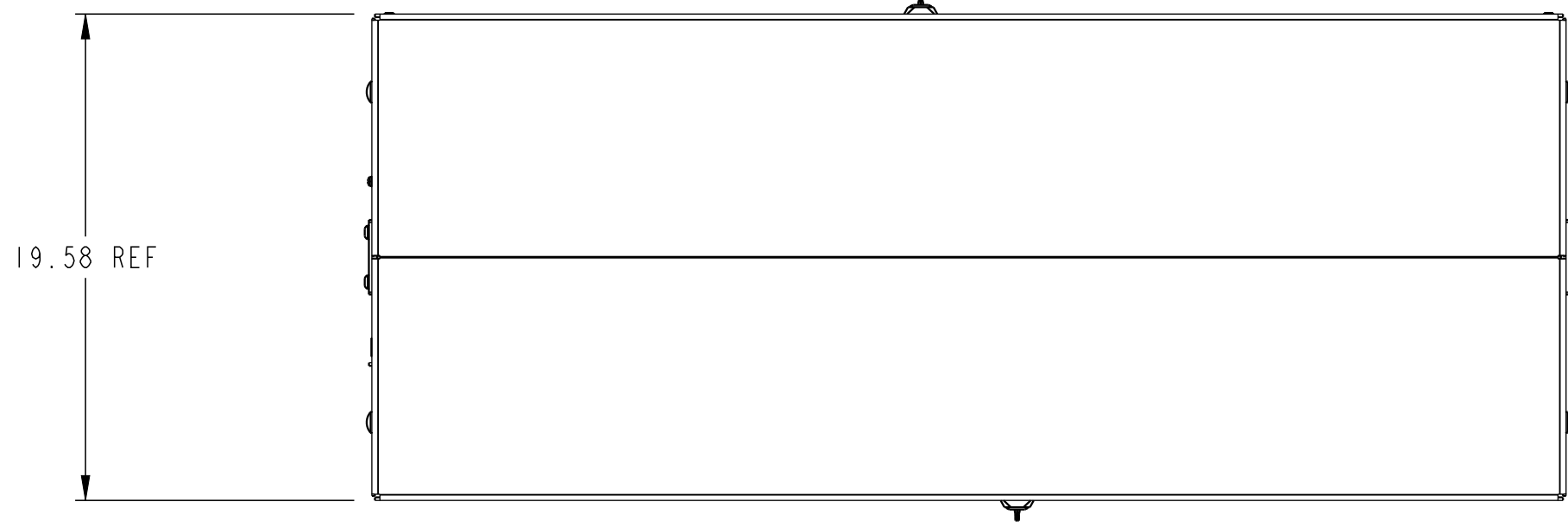


| REV. | MCO | DWN | DATE |
|------|-------------|-----|-----------|
| A | 40024423MCO | CA | 11-SEP-15 |
| B | 40032810MCO | MFG | 10-AUG-16 |



COMMSCOPE, INC.

© 2016 COMMSCOPE, INC. CONFIDENTIAL
 NOTICE: THESE DRAWINGS AND SPECIFICATIONS
 ARE THE PROPRIETARY PROPERTY OF
 COMMSCOPE, INC. AND MAY BE USED ONLY FOR THE
 SPECIFIC PURPOSE AUTHORIZED IN WRITING BY
 COMMSCOPE, INC.

TITLE
 INSTALLATION DRAWING
 864C FDH3000

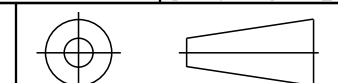
ALL DIMS AND TOLERANCES .XX:±N/A
 ARE INCHES UNLESS .XXX:±N/A
 OTHERWISE SPECIFIED ANGULAR:±N/A

C
 SIZE
 DRAWING NUMBER
 300100112905
 B
 REV

DO NOT SCALE DRAWING

ENGR: ERIK ESTRADA
 DWN: CARLOS ARROYO

SHT. 1 OF 4



DIMENSIONS IN INCHES
 THIRD ANGLE PROJECTION

A

B

C

D

1

1

2

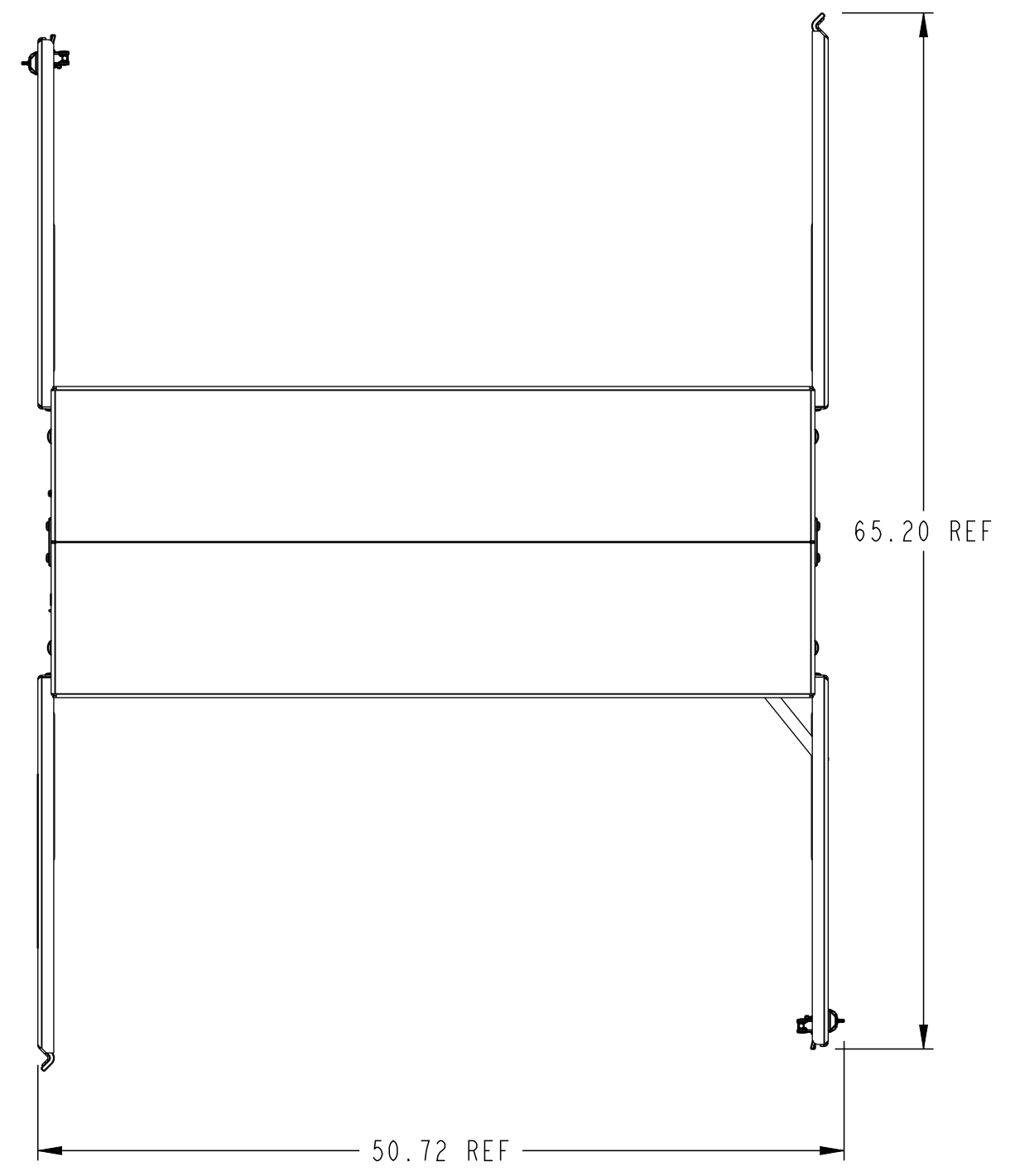
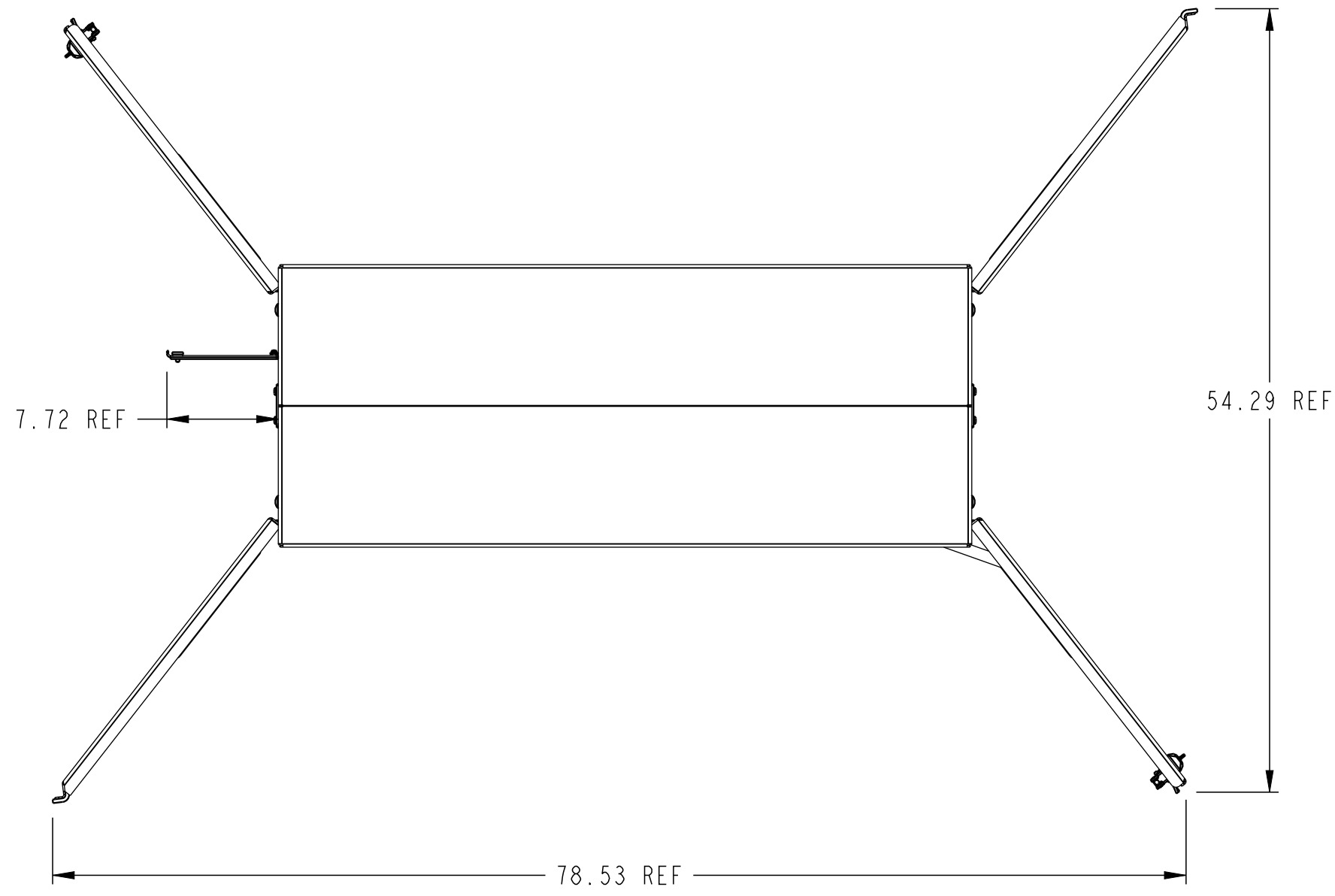
2

3

3

4

4



COMMSCOPE, INC.

© 2016 COMMSCOPE, INC. CONFIDENTIAL
 NOTICE: THESE DRAWINGS AND SPECIFICATIONS
 ARE THE PROPRIETARY PROPERTY OF
 COMMSCOPE, INC. AND MAY BE USED ONLY FOR THE
 SPECIFIC PURPOSE AUTHORIZED IN WRITING BY
 COMMSCOPE, INC.

TITLE
 INSTALLATION DRAWING
 864C FDH3000

ALL DIMS AND TOLERANCES .XX:±N/A
 ARE INCHES UNLESS .XXX:±N/A
 OTHERWISE SPECIFIED ANGULAR:±N/A

C
 SIZE
 DRAWING NUMBER
 300100112905
 B
 REV

DO NOT SCALE DRAWING

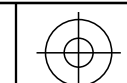
ENGR: ERIK ESTRADA
 DWN: CARLOS ARROYO

SHT. 2 OF 4

A

B

C



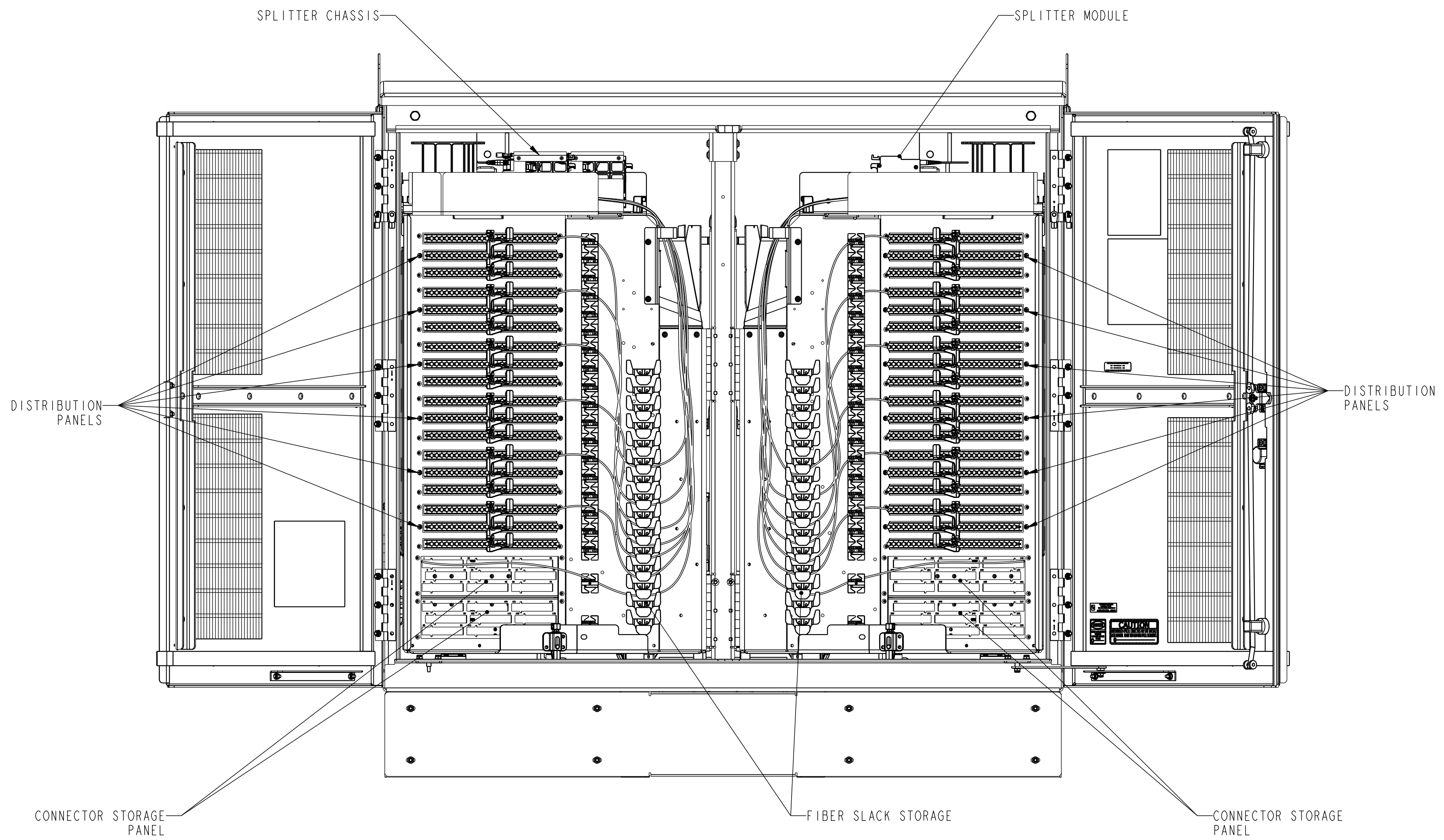
**DIMENSIONS IN INCHES
 THIRD ANGLE PROJECTION**

A

B

C

D



COMMSCOPE, INC.

© 2016 COMMSCOPE, INC. CONFIDENTIAL
 NOTICE: THESE DRAWINGS AND SPECIFICATIONS
 ARE THE PROPRIETARY PROPERTY OF
 COMMSCOPE, INC. AND MAY BE USED ONLY FOR THE
 SPECIFIC PURPOSE AUTHORIZED IN WRITING BY
 COMMSCOPE, INC.

TITLE
 INSTALLATION DRAWING
 864C FDH3000

ALL DIMS AND TOLERANCES .XX:±N/A
 ARE INCHES UNLESS .XXX:±N/A
 OTHERWISE SPECIFIED ANGULAR:±N/A

DRAWING NUMBER
 300100112905

DO NOT SCALE DRAWING

ENGR: ERIK ESTRADA
 DWN: CARLOS ARROYO

SHT. 3 OF 4



DIMENSIONS IN INCHES
 THIRD ANGLE PROJECTION

A

B

C

A

B

C

D

RIGHT SWINGFRAME OPEN

GROUNDING

STORAGE PANEL

PATCH PANEL

LEFT SWINGFRAME OPEN

STORAGE PANEL

PATCH PANEL

GROUNDING

COMMSCOPE, INC.

© 2016 COMMSCOPE, INC. CONFIDENTIAL
NOTICE: THESE DRAWINGS AND SPECIFICATIONS
ARE THE PROPRIETARY PROPERTY OF
COMMSCOPE, INC. AND MAY BE USED ONLY FOR THE
SPECIFIC PURPOSE AUTHORIZED IN WRITING BY
COMMSCOPE, INC.

TITLE
INSTALLATION DRAWING
864C FDH3000

ALL DIMS AND TOLERANCES .XX:±N/A
ARE INCHES UNLESS .XXX:±N/A
OTHERWISE SPECIFIED ANGULAR:±N/A

DRAWING NUMBER
300100112905

DO NOT SCALE DRAWING

ENGR: ERIK ESTRADA
DWN: CARLOS ARROYO

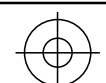
SHT. 4 OF 4

DIMENSIONS IN INCHES
THIRD ANGLE PROJECTION

A

B

C



1

2

3

4

1

2

3

4