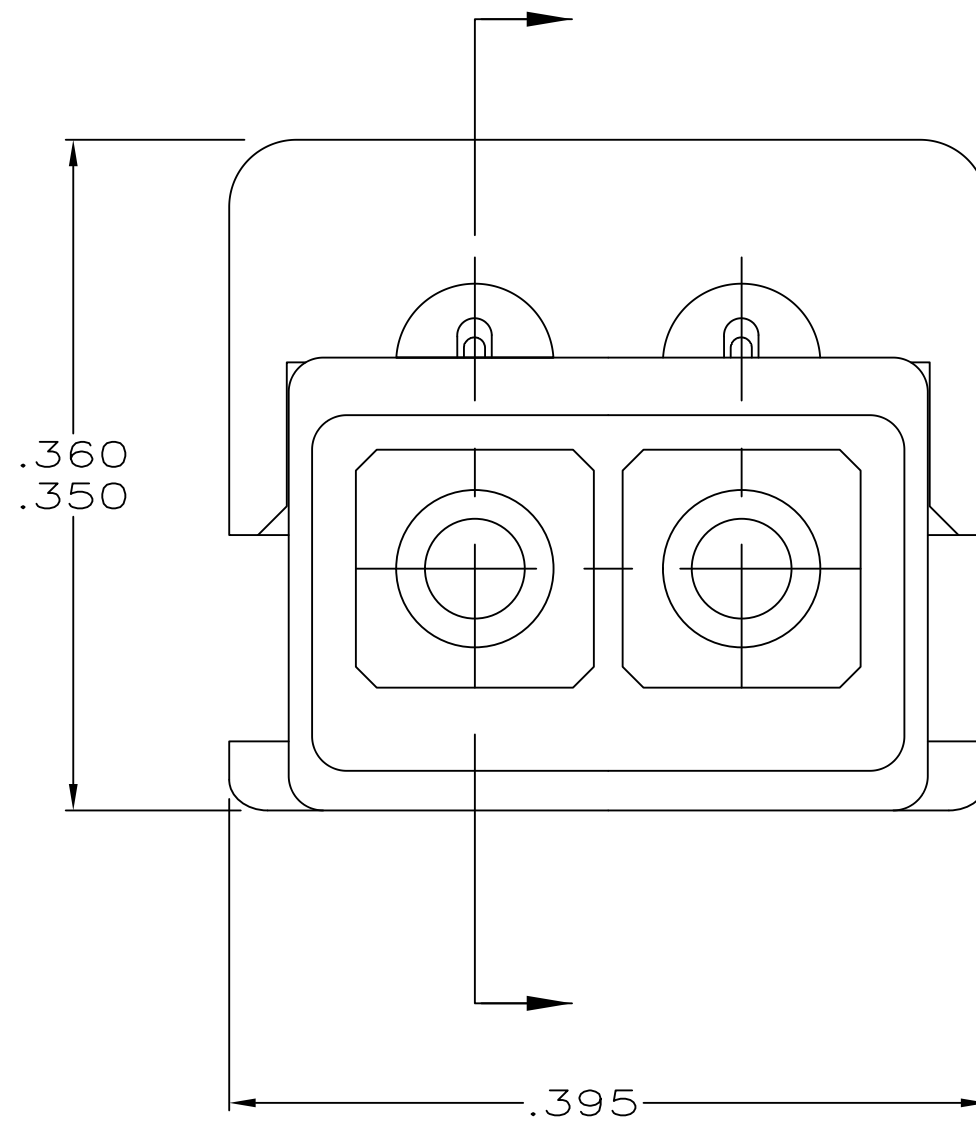
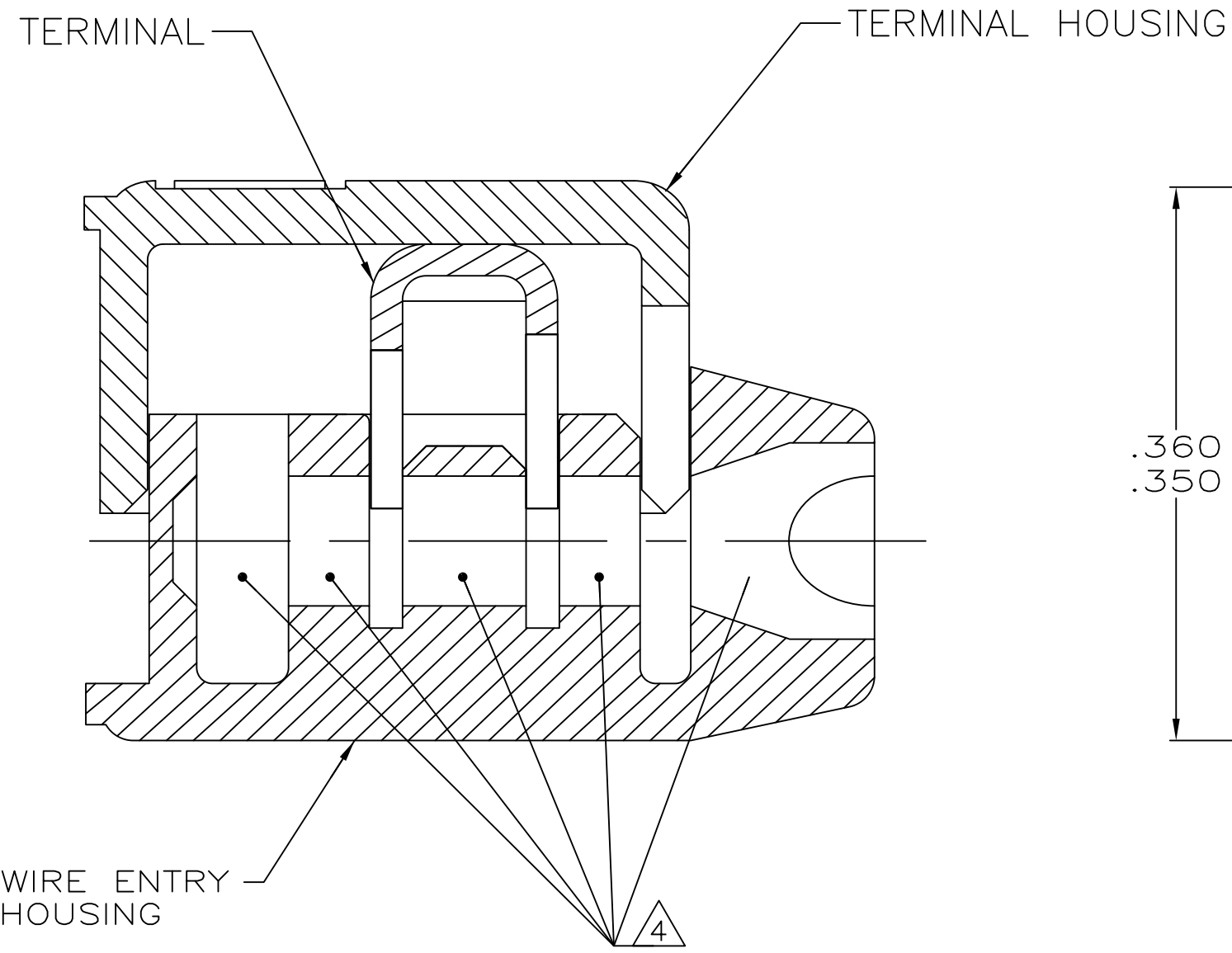
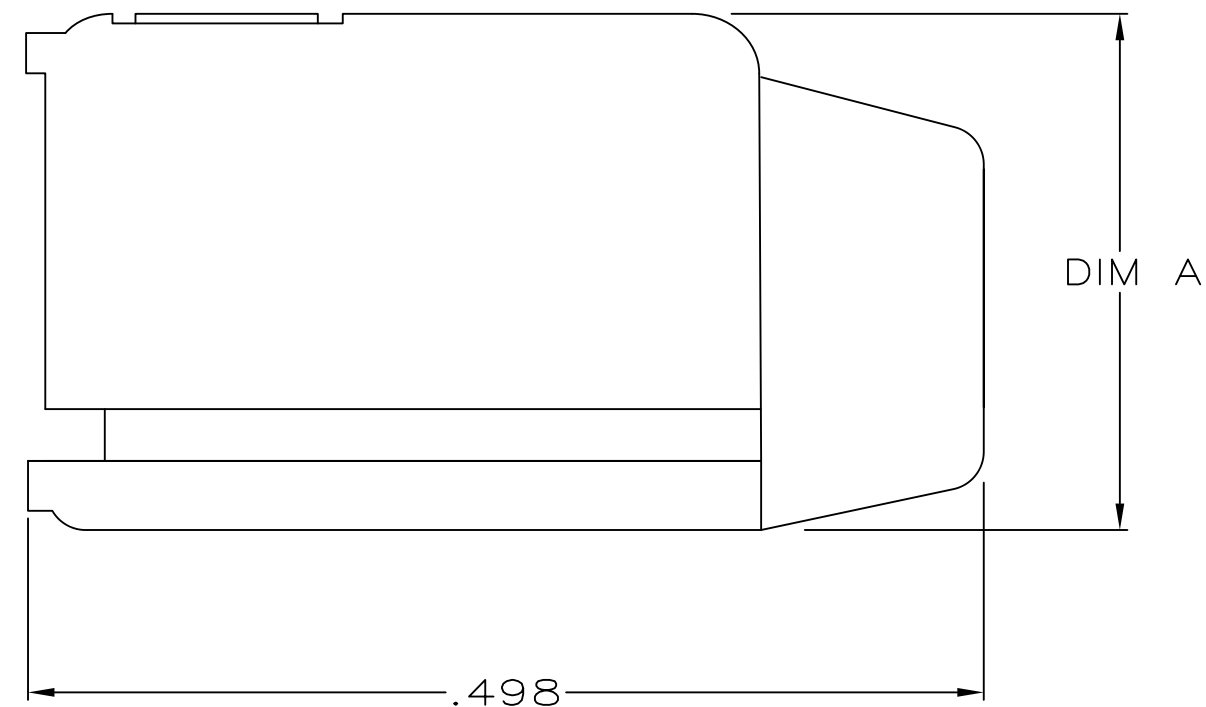


THIS DRAWING IS UNPUBLISHED. RELEASED FOR PUBLICATION
 © 2016 Commscope, INC. Confidential NOTICE: These drawings and specifications are the proprietary property of COMMSCOPE, INC. and may be used only for the specific purpose authorized in writing by COMMSCOPE, INC.

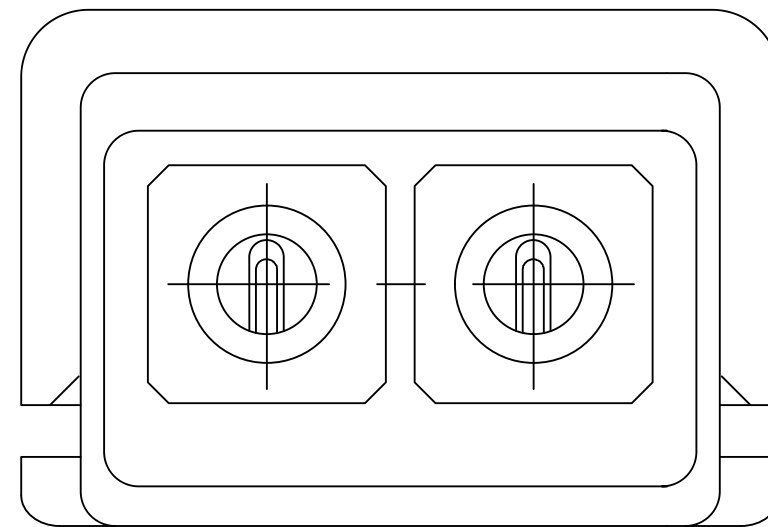
LOC		DIST		REVISIONS			
P	LTR	DESCRIPTION	DATE	DWN	APVD		
U		REV PER 20025366MCO	13OCT2015	GG	JD		
V		ECN8000019699 REBRANDING	30JAN2017	JUM	ARL		



UNCRIMPED



CRIMPED



- ALL DIMENSIONS ARE FOR REFERENCE ONLY.
- MATERIAL: HOUSING - THERMOPLASTIC (CLEAR)
TERMINAL - TIN PLATED PHOSPHOR BRONZE
- WIRE RANGE: 19-26 AWG SOLID COPPER CONDUCTORS.
- SEALANT ADDED TO HOUSING IN THREE AREAS.
- FOR CRIMPING INFORMATION SEE APPLICATION SPECIFICATION 114-6010.
- MATERIAL: HOUSING - THERMOPLASTIC (YELLOW)
TERMINAL - PHOS BRZ
- MATERIAL: HOUSING - THERMOPLASTIC (CLEAR)
TERMINAL - PHOS BRZ
- MATERIAL: HOUSING - THERMOPLASTIC (YELLOW)
TERMINAL - TIN PLATED BRASS

	1000	6	WITH SEALANT	1-552795-8
	5	2	WITH SEALANT	1-552795-7
OBSOLETE	BULK	6	WITHOUT SEALANT	1-552795-5
	100	6	WITHOUT SEALANT	1-552795-4
	100	7	WITH SEALANT	1-552795-2
OBSOLETE	500	7	WITH SEALANT	552795-6
OBSOLETE	BULK	7	WITH SEALANT	552795-5
	1000	6	WITHOUT SEALANT	552795-4
SUPSD BY 552795-4	1000	8	WITHOUT SEALANT	552795-3
	1000	7	WITH SEALANT	552795-2
	1000	2	WITH SEALANT	552795-1
	PARTS PER CONTAINER		DESCRIPTION	PART NUMBER

THIS DRAWING IS A CONTROLLED DOCUMENT.

DIMENSIONS: INCHES	TOLERANCES UNLESS OTHERWISE SPECIFIED:	DWN L. HALL 20FEB04	COMMSCOPE, INC.			
	0 PLC ± -	CHK A. KINKA 24FEB04			NAME TEL-SPLICE ASSEMBLY, 2 WIRE (INTERNATIONAL)	
	1 PLC ± -	APVD A. KINKA 24FEB04				
	2 PLC ± -	PRODUCT SPEC				
	3 PLC ± -	APPLICATION SPEC				
4 PLC ± -	ANGLES ± -	WEIGHT -	SIZE A2	CAGE CODE -	DRAWING NO C=552795	RESTRICTED TO -
MATERIAL -2	FINISH -	CUSTOMER DRAWING	SCALE 10:1	SHEET 1 of 1	REV V	

.262	24-26
.276	19-22
DIM "A" MAX	WIRE-AWG

552795

A