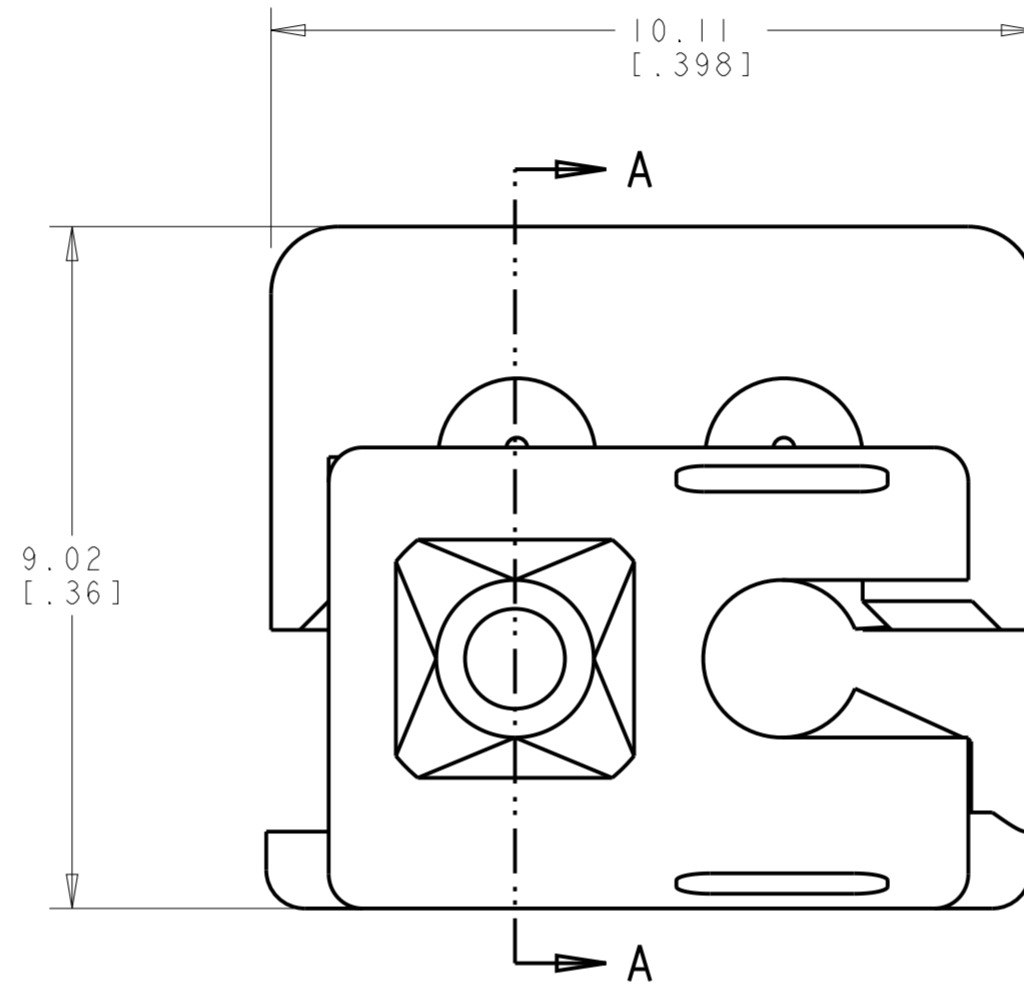
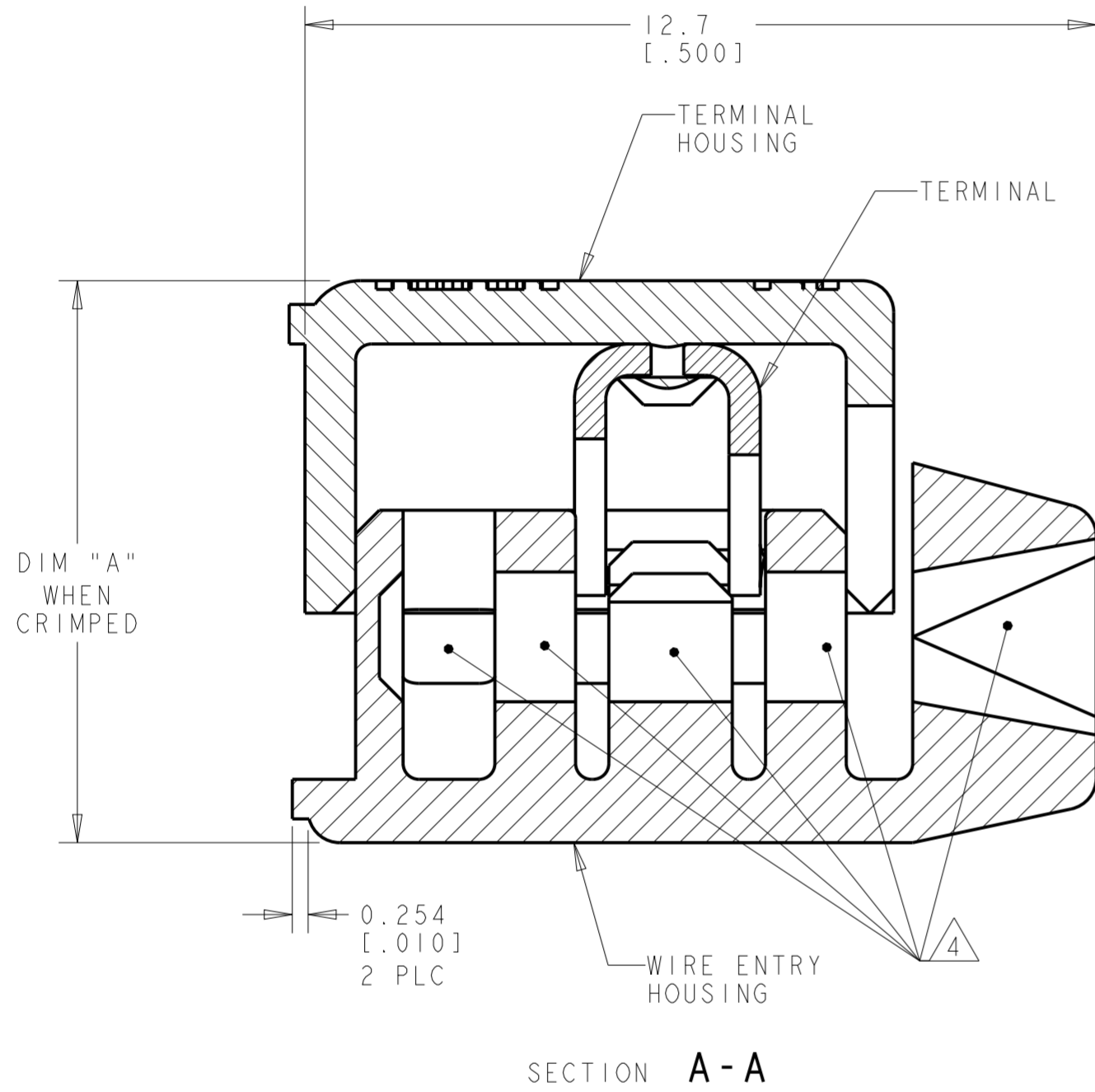


THIS DRAWING IS UNPUBLISHED. RELEASED FOR PUBLICATION 20
 © 2016 COMMSCOPE INC. CONFIDENTIAL NOTICE: THESE DRAWINGS AND SPECIFICATIONS ARE THE PROPRIETARY PROPERTY OF COMMSCOPE, INC. AND MAY BE USED ONLY FOR THE SPECIFIC PURPOSE AUTHORIZED IN WRITING BY COMMSCOPE, INC.

REVISIONS				
P	LTR	DESCRIPTION	DATE	APVD
V		REV ECO-09-001811	29JAN2009	LH JJ
W		REV; 40025366MCO	14OCT2015	GG JD
Y		ECN 80000019699 REBRANDING	2FEB2017	JUM ARL



- ALL DIMENSIONS ARE MAXIMUM UNLESS OTHERWISE SPECIFIED.
- MATERIAL: HOUSING - POLYPROPYLENE BLUE.
TERMINALS - TIN PLATED PHOSPHOR BRONZE.
- WIRE RANGE: 19-26 AWG SOLID COPPER CONDUCTORS.
- SEALANT ADDED TO ASSEMBLY IN THESE AREAS.
- TEL-SPLICE ASSEMBLIES WITHOUT SEALANT (UNFILLED) SHALL BE YELLOW.
- SEE RESTRICTED CUSTOMER DRAWING.

STATUS	UNIT	DESCRIPTION	PART NUMBER
OBSOLETE	100/BOX	FILLED	1-553017-7
OBSOLETE	BULK	FILLED	1-553017-6
OBSOLETE	BULK	UNFILLED ⁵	1-553017-5
	100/BOX	UNFILLED ⁵	1-553017-4
	100/BOX	FILLED	1-553017-2
SUPERSEDED BY 1-553017-2			
	100/BOX	⁶	1-553017-1
	1000/TUB	UNFILLED ⁵	553017-4
OBSOLETE	1000/TUB	⁶	553017-3
	1000/TUB	FILLED	553017-2
SUPERSEDED BY 553017-2			
	1000/TUB	⁶	553017-1
	PACKAGED	DESCRIPTION	PART NUMBER

6.66 [0.262]	24-26
7.01 [0.276]	19-22
DIM "A"	WIRE AWG

THIS DRAWING IS A CONTROLLED DOCUMENT.

DWN S. WEIKERT 21FEB01	COMMSCOPE, INC. NAME: TEL-SPLICE ASSEMBLY HALF TAP, 2 WIRE SIZE: A2 CAGE CODE: - DRAWING NO: 114-6010 RESTRICTED TO: - SCALE: 10:1 SHEET: OF REV: Y
CHK A. NESTOR 21FEB01	
APVD A. NESTOR 21FEB01	
PRODUCT SPEC	
MATERIAL	CUSTOMER DRAWING