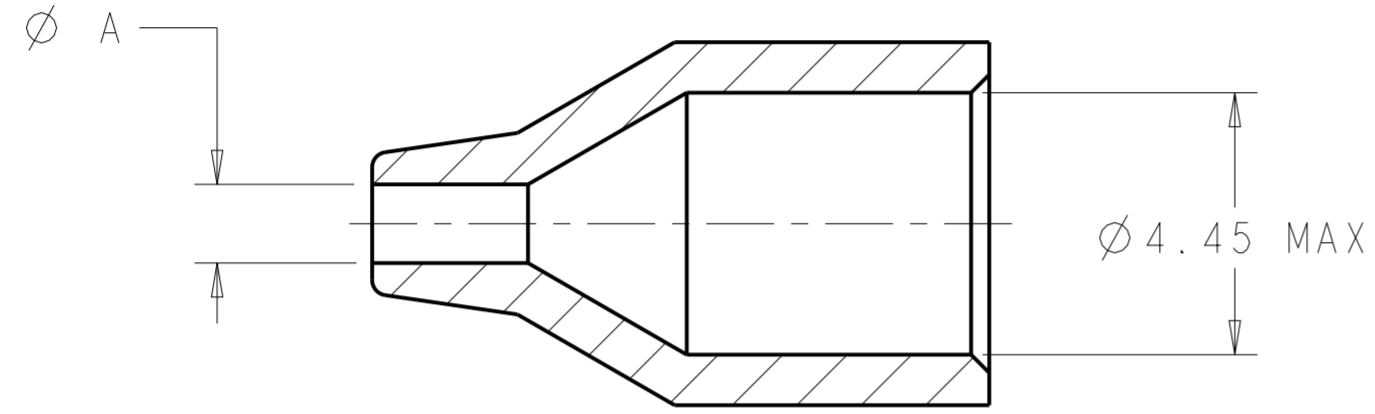
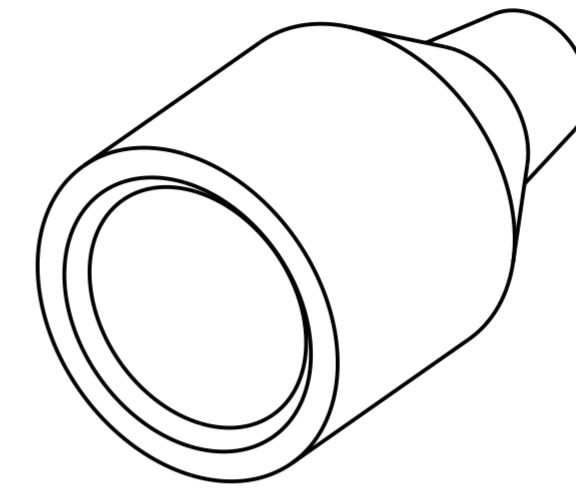
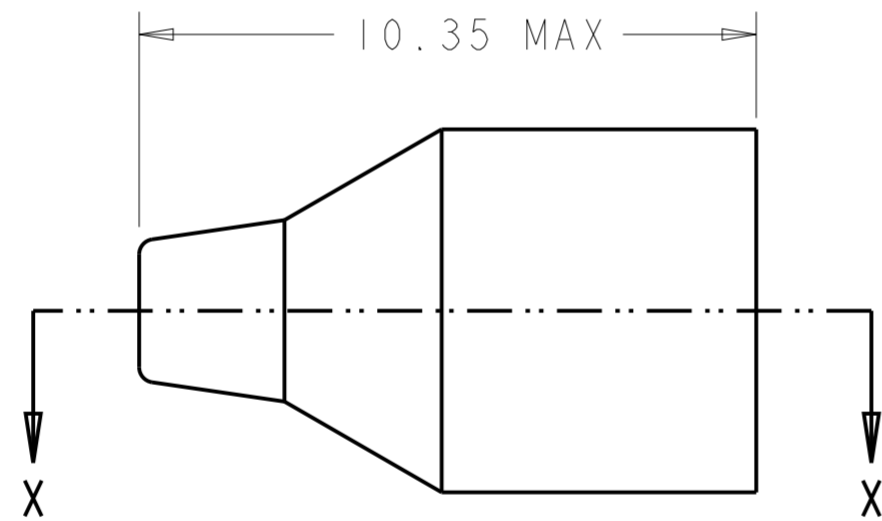


THIS DRAWING IS UNPUBLISHED. RELEASED FOR PUBLICATION 20  
 © 2016 COMMSCOPE INC. CONFIDENTIAL NOTICE: THESE DRAWINGS AND SPECIFICATIONS ARE THE PROPRIETARY PROPERTY OF COMMSCOPE, INC. AND MAY BE USED ONLY FOR THE SPECIFIC PURPOSE AUTHORIZED IN WRITING BY COMMSCOPE, INC.

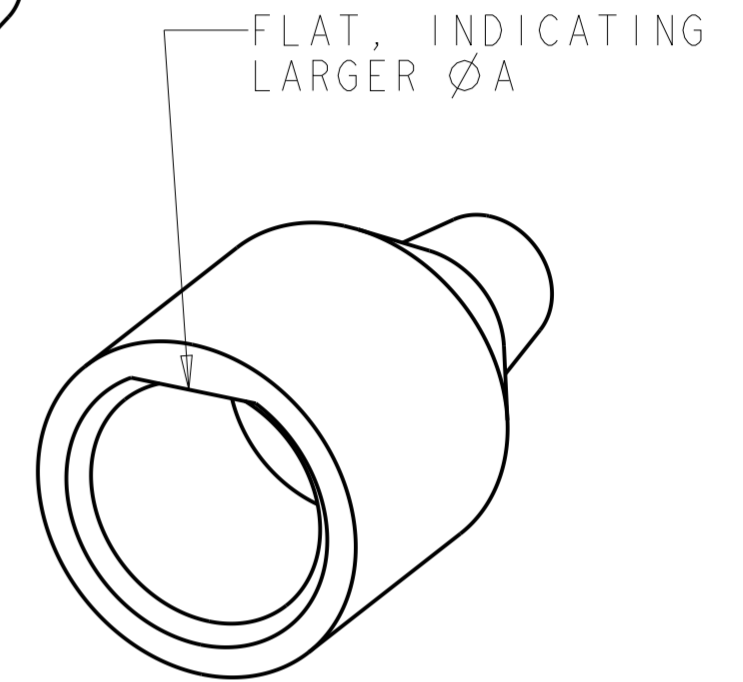
LOC	DIST	REVISIONS					
CE	00	P	LTR	DESCRIPTION	DATE	DWN	APVD
		B		REV PER 0A00-0196-05	11MAY2005	EJH	SB
		C		REVISE PER ECR-06-029880	09JAN2007	BB	SM
		CI		REVISE DIMENSION LOCATION	17OCT2008	BB	SM
		D		ECN 8000019811 REBRANDING	7-FEB-2017	JUM	ARL



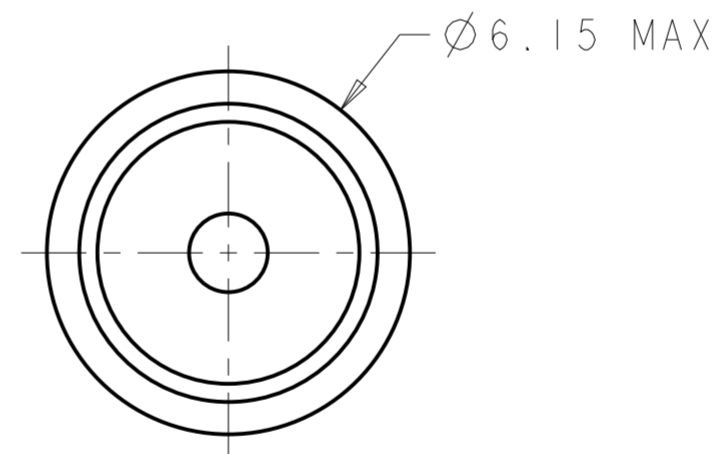
SECTION X-X



6278309-1, -2, -3 AND -6



6278309-5



1.05	AQUA	6278309-6
1.45	BLACK	6278309-5
1.05	RED	6278309-3
1.05	BLUE	6278309-2
1.05	BLACK	6278309-1
DIM A	COLOR	PART NO

⚠ MATERIAL: TPE, UL 94 V-0 RATED AT QUALIFYING THICKNESS, SEE DASH NUMBER FOR COLOR.

THIS DRAWING IS A CONTROLLED DOCUMENT.		DWN E. HOPKINS 27 JAN 2005	<b>COMMSCOPE, INC.</b>	
DIMENSIONS: mm		CHK D. ERDMAN 27 JAN 2005		
TOLERANCES UNLESS OTHERWISE SPECIFIED: 0 PLC ± 1 PLC ± 2 PLC ±0.05 3 PLC ± 4 PLC ± ANGLES ± FINISH -		APVD S. BUCHTER 27 JAN 2005		
MATERIAL		PRODUCT SPEC - APPLICATION SPEC - WEIGHT -	NAME - BOOT, SHORT, BARE BUFFER -	
SCALE 8:1		SIZE A2	CAGE CODE G-6278309	RESTRICTED TO -
CUSTOMER DRAWING		SHEET 1 OF 1		REV D