

THIS DRAWING IS UNPUBLISHED. RELEASED FOR PUBLICATION 20  
 BY COMMSCOPE INC. ALL RIGHTS RESERVED.

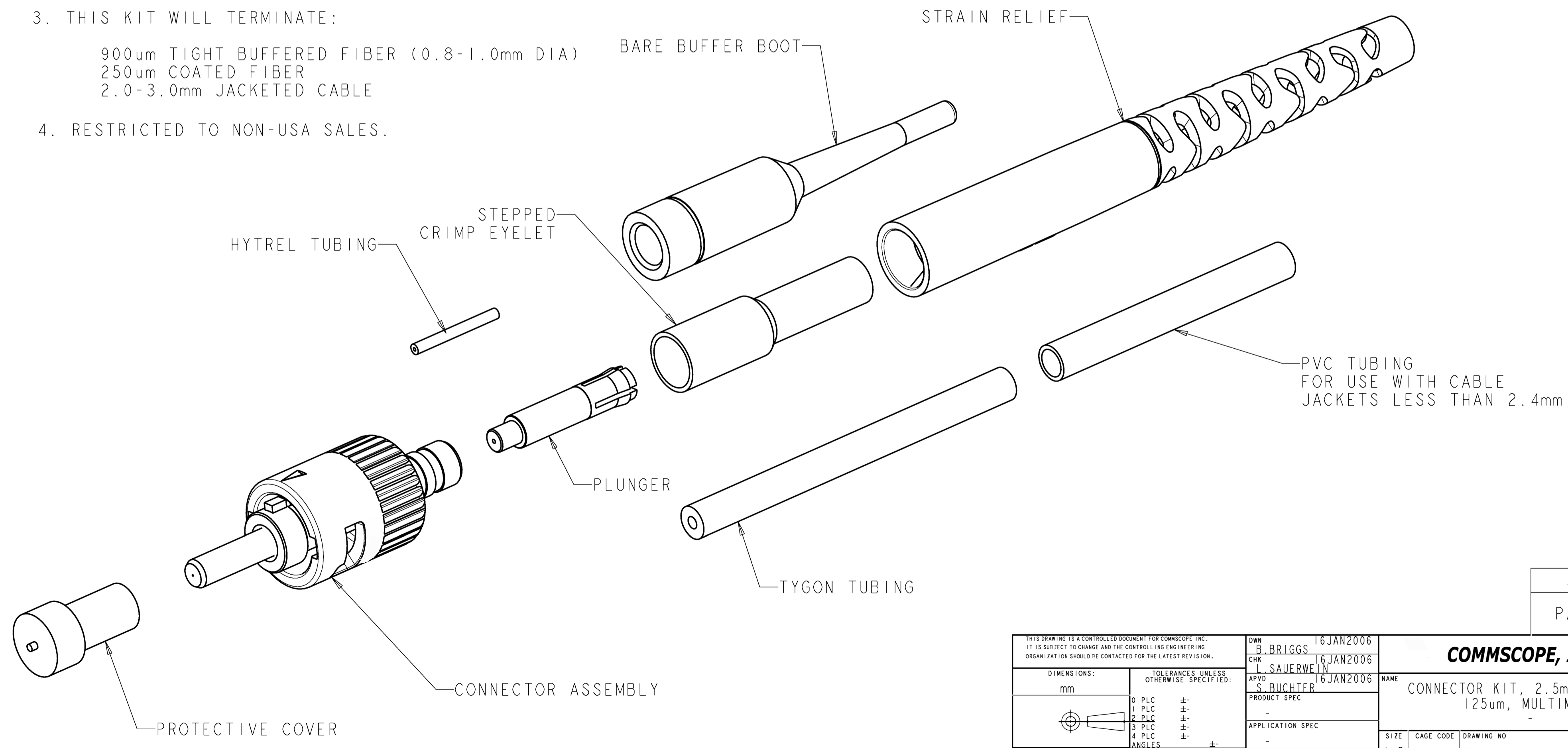
LOC	DIST	REVISIONS					
CE	00	P	LTR	DESCRIPTION	DATE	DWN	APVD
		A		RELEASE TO ACTIVE	08JUN2006	BB	LS
		A1		ADD NOTE 2	13MAR2009	BB	SB
		B		ECN 8000019949-REBRANDING	13 FEB 2017	AL	LM

**MATERIAL:**  
**CONNECTOR ASSEMBLY:**  
 REAR BODY: ALUMINUM ALLOY  
 PLUNGER: ALUMINUM ALLOY  
 FERRULE: CERAMIC  
 COUPLING NUT: NICKEL PLATED ZINC  
 INTERNAL COMPONENTS: RUBBER, COLOR: BLACK  
 SPRING: STAINLESS STEEL  
 PROTECTIVE COVER: LDPE, COLOR: BLACK, NON-FR  
 STEPPED CRIMP EYELET: NICKEL PLATED COPPER  
 POLYMER TUBING: TYGON, COLOR: CLEAR  
                   HYTREL, COLOR: WHITE  
                   PVC, COLOR: BLACK  
 STRAIN RELIEF: POLYOLEFIN ELASTOMER, COLOR: BLACK, NON-FR  
 BARE BUFFER BOOT: POLYOLEFIN ELASTOMER, COLOR: BLACK\*  
 \*UL94 V-0 RATED AT QUALIFYING THICKNESS.

2. INSTRUCTION SHEET: 408-9860 AVAILABLE FOR DOWNLOAD AT  
[www.commscope.com](http://www.commscope.com)

3. THIS KIT WILL TERMINATE:  
 900um TIGHT BUFFERED FIBER (0.8-1.0mm DIA)  
 250um COATED FIBER  
 2.0-3.0mm JACKETED CABLE

4. RESTRICTED TO NON-USA SALES.



5504600-1  
 PART NUMBER

THIS DRAWING IS A CONTROLLED DOCUMENT FOR COMMSCOPE, INC. IT IS SUBJECT TO CHANGE AND THE CONTROLLING ENGINEERING ORGANIZATION SHOULD BE CONTACTED FOR THE LATEST REVISION.		DWN B. BRIGGS 16 JAN 2006	<b>COMMSCOPE, INC.</b>	
		CHK L. SAUERWEIN 16 JAN 2006		
DIMENSIONS: mm		APVD S. BUCHTER 16 JAN 2006	NAME CONNECTOR KIT, 2.5mm BAYONET, 125um, MULTIMODE	
TOLERANCES UNLESS OTHERWISE SPECIFIED: 0 PLC ± 1 PLC ± 2 PLC ± 3 PLC ± 4 PLC ± ANGLES ± FINISH		PRODUCT SPEC -	APPLICATION SPEC -	RESTRICTED TO NUSC
MATERIAL △		WEIGHT -	SIZE A2	CAGE CODE -
		DRAWING NO C-5504600		RESTRICTED TO NUSC
		SCALE 4:1		SHEET OF REV B