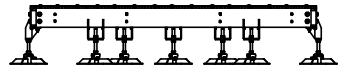
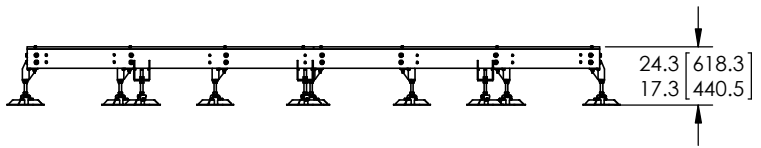
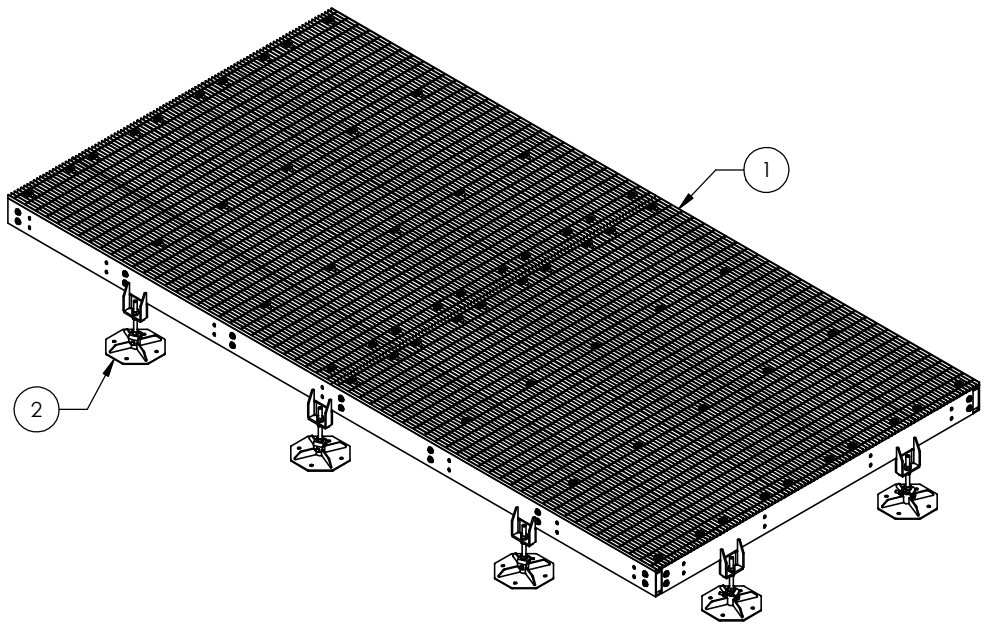
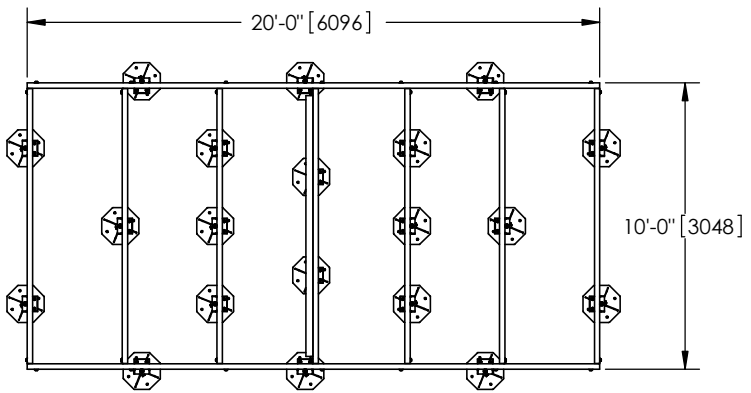



ITEM	PART NO.	DESCRIPTION	QTY.	WEIGHT
1	EQ-P1020-B	8' X 20' EQUIPMENT PLATFORM BASE	1	0.00 LBS
2	EQ-P-DF	EQUIPMENT PLATFORM DISPLACEMENT FOOT	20	37.73 LBS



REVISIONS				
REV.	ECN	DESCRIPTION	BY	DATE
A		INITIAL RELEASE	ACG	12/01/05
B		CHANGED TO 20 FEET	AW	08/15/06
D		UPDATE BASE PLATFORM WEIGHT	ACG	02/06/07
E	8000016300	UPDATE EQ-P-DF TO ADD HOLES	DRR	09/27/16
F	8000025131	UPDATED EQ-P-DF DESIGN	DRR	07/25/17



NOTES:
 1. ALL METRIC DIMENSIONS ARE IN BRACKETS.
 2. GRATING OMITTED FROM TOP VIEW FOR CLARITY.

<small>These drawings and specifications are the proprietary property of ANDREW CORPORATION and may be used only for the specific purpose authorized in writing by Andrew Corporation.</small>		DRAWN BY: ACG CHECKED BY: TP DATE: 12/01/05 REVISION: F	SHEET: 1 of 1 SCALE: NTS STANDARD: A36 MATERIAL: GALV A123 WEIGHT: 3594.29 LBS	PART NUMBER: EQ-P1020-DF DESCRIPTION: 10' X 20' EQUIPMENT PLATFORM W/ 20 LEGS DRAWN BY: ASSEMBLY DRAWING  ORLAND PARK, IL. 60462 U.S.A.
--	--	--	--	---