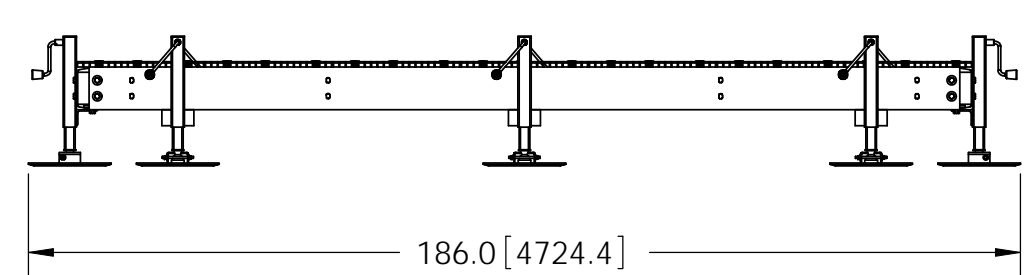
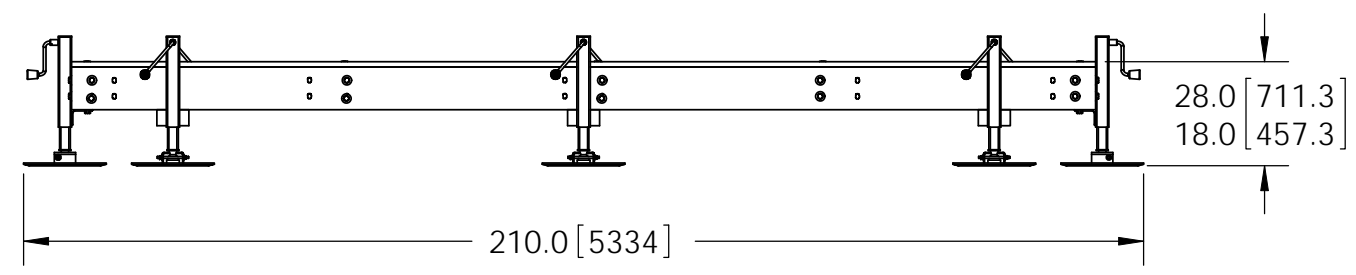
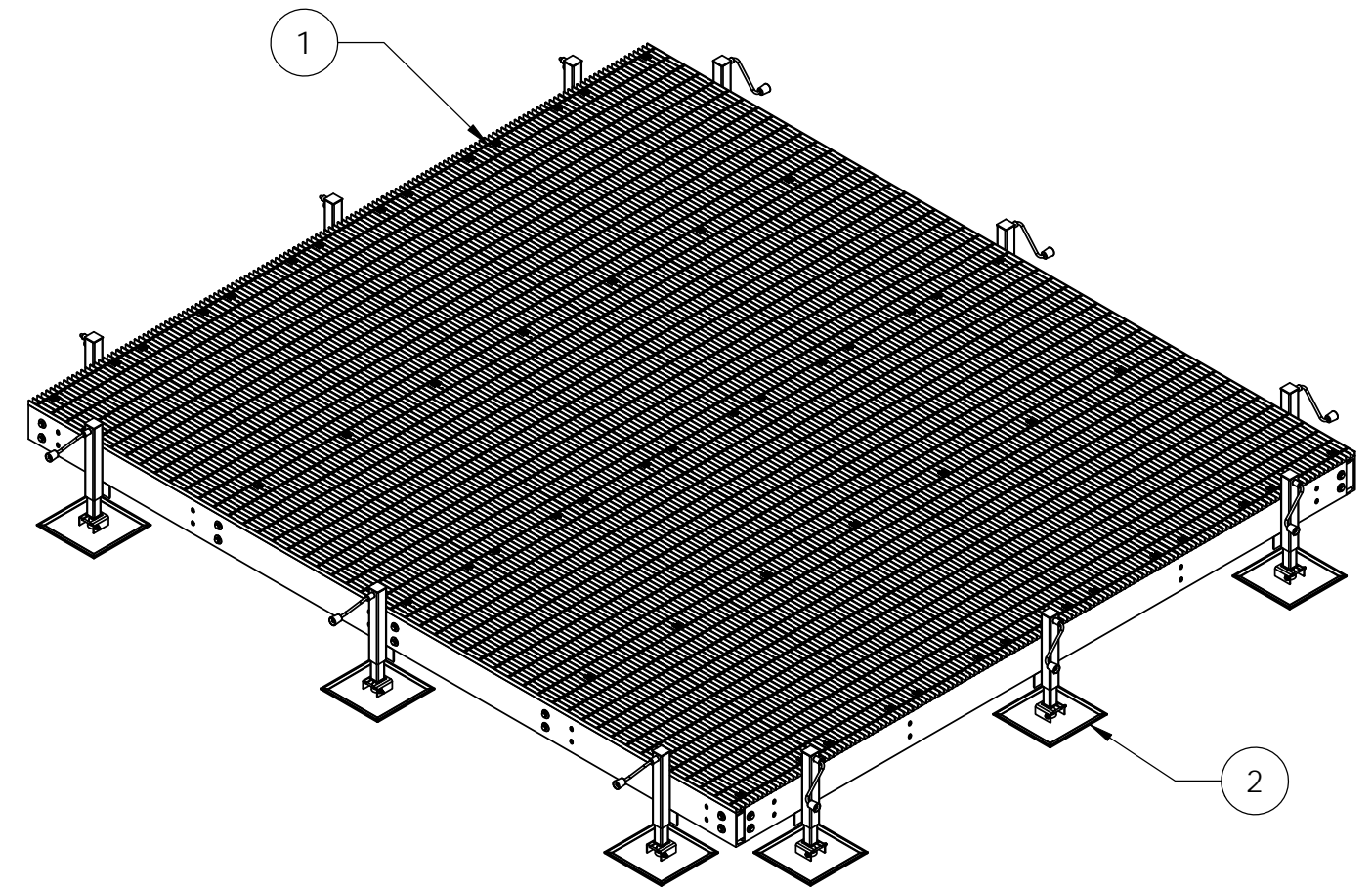
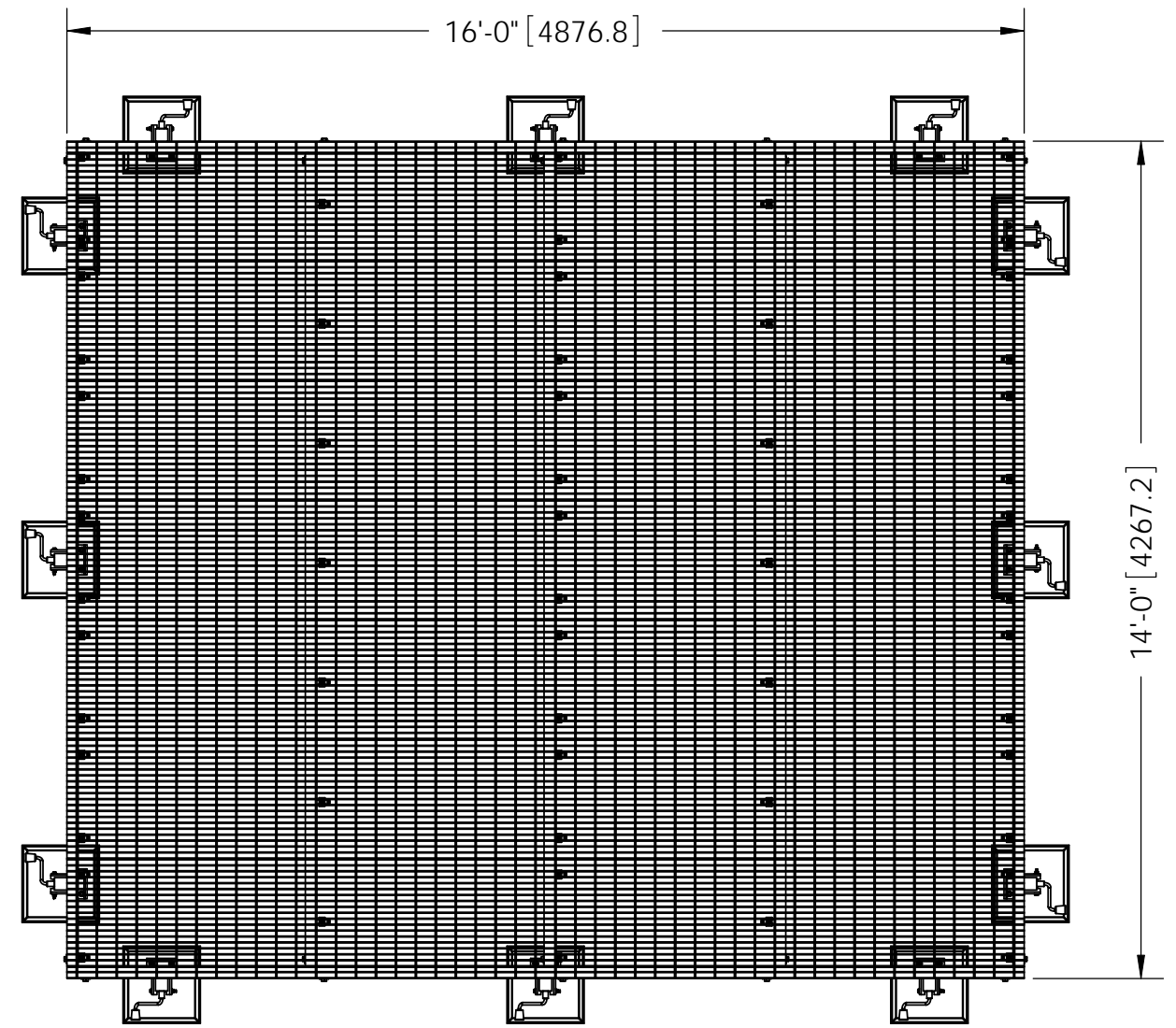


ITEM	PART NO.	DESCRIPTION	QTY.	WEIGHT
1	EQ-P1416-B	14' X 16' Platform Base	1	2879.43 LBS
2	EQ-P-AL	ADJUSTABLE LEG KIT FOR EQ-P SERIES	12	56 LBS

REVISIONS				
REV.	ZONE	DESCRIPTION	BY	DATE
A		INITIAL RELEASE	MSM	04/05/12



NOTES:
1. ALL METRIC DIMENSIONS ARE IN BRACKETS.

These drawings and specifications are the proprietary property of CommScope Inc. and may be used only for the specific purpose authorized in writing by CommScope Inc. ALL DIMENSIONS ARE IN INCHES U.S.S. TOLERANCES UNLESS OTHERWISE SPECIFIED: .X = ± .12 ANGLES ±2° .XX = ± .06 FRACTIONS ±1/32 .XXX = ± .03 REMOVE BURRS AND BREAK EDGES .005 DO NOT SCALE THIS PRINT	DRAWN BY: MSM CHECKED BY: TP DATE: 04/05/12 REVISION: A	SHEET: 1 of 1 SCALE: NTS MATERIAL: A36, A529, A568 FINISH: GALV A123 WEIGHT: 3551.43 LBS	PART NUMBER: EQ-P1416-AL DESCRIPTION: 14' x 16' Equipment Platform DRAWING TYPE: ASSEMBLY DRAWING COMMSCOPE® Hickory, NC 28602 U.S.A.
---	--	--	---