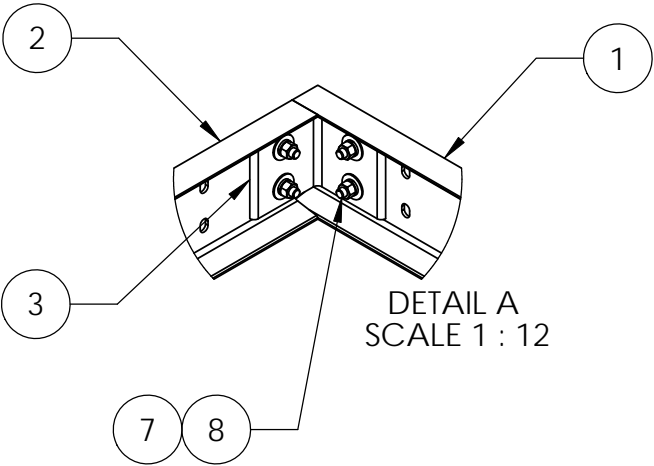
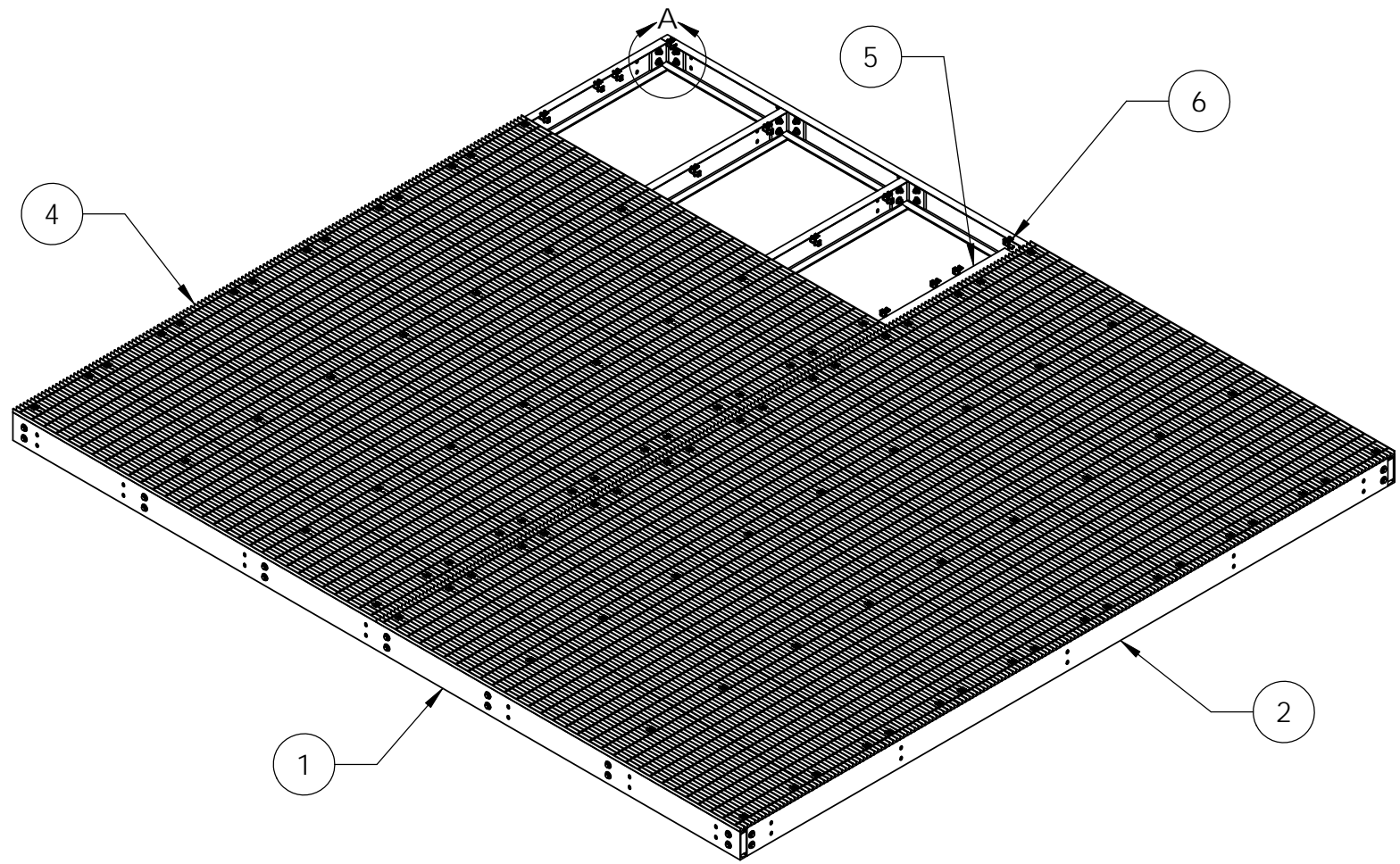
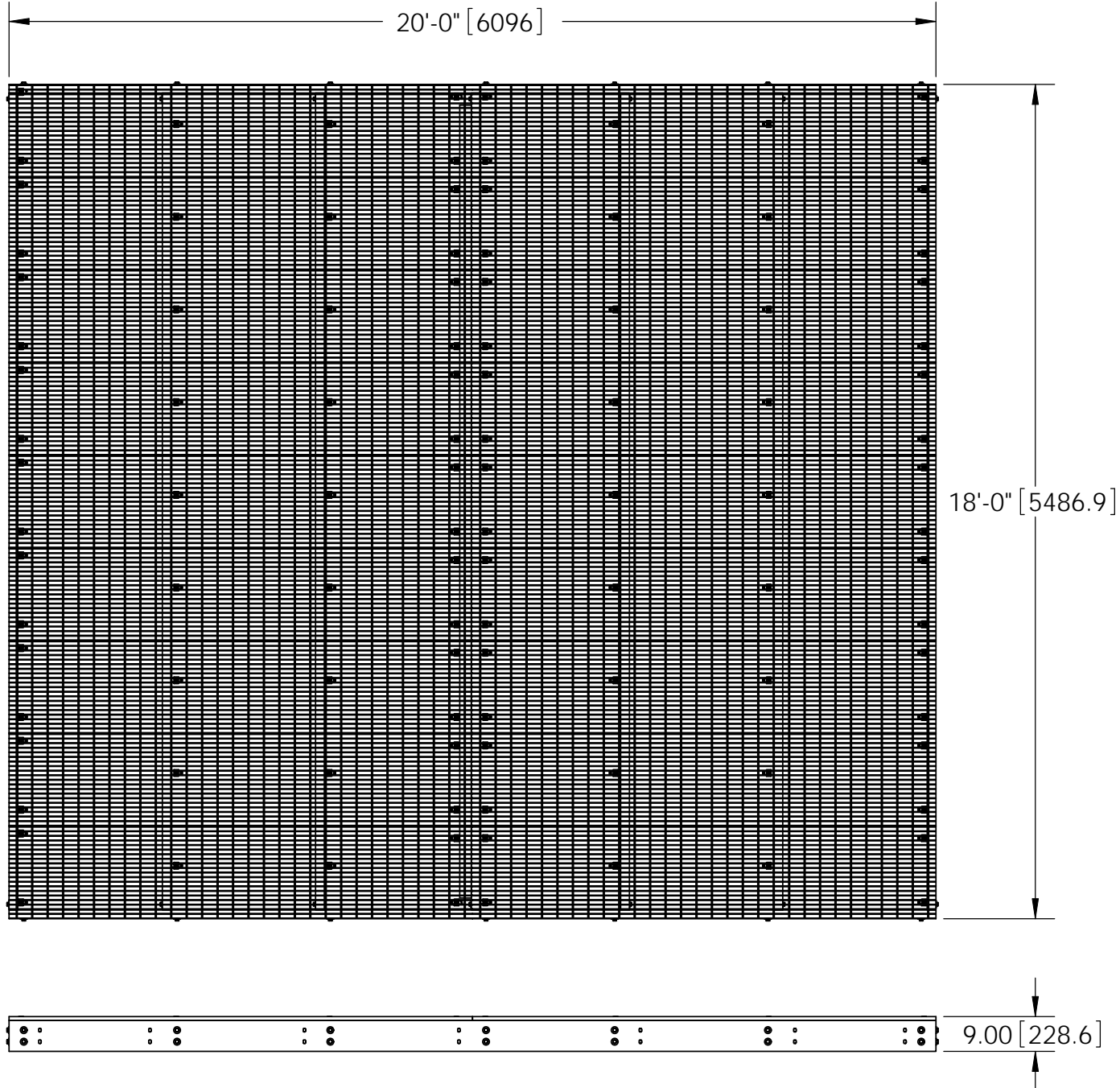


ITEM	PART NO.	DESCRIPTION	QTY.	WEIGHT
1	MTC79021020.01	20' SIDE CHANNEL	2	227.29 LBS
2	EQP181801	18' Platform Center Channel	7	200.69 LBS
3	MTC7902.03	CHANNEL ADAPTER ANGLE	14	7.07 LBS
4	MTC9170.09	24" X 120" BAR GRATING	18	141.45 LBS
5	EQP182001	GRATING SECTION BRACKET	1	97.58 LBS
6	GCM03	GRATING CLIP	108	0.39 LBS
7	GWF-05	5/8" GALV FLAT WASHER	122	0.03 LBS
8	GB-05205	5/8" X 2" GALV BOLT KIT	61	0.27 LBS

REVISIONS				
REV.	ZONE	DESCRIPTION	BY	DATE
A		INITIAL RELEASE	DRR	02/29/12



NOTES:
 1. ALL METRIC DIMENSIONS ARE IN BRACKETS.
 2. GRATING REMOVED FOR CLARITY.

<small>These drawings and specifications are the proprietary property of ANDREW CORPORATION and may be used only for the specific purpose authorized in writing by Andrew Corporation.</small> ALL DIMENSIONS ARE IN INCHES U.O.S. TOLERANCES UNLESS OTHERWISE SPECIFIED: .X = ± .12 ANGLES ±2° .XX = ± .06 FRACTIONS ±1/32 .XXX = ± .03 REMOVE BURRS AND BREAK EDGES .005 DO NOT SCALE THIS PRINT	DRAWN BY: DRR	SHEET: 1 of 1	PART NUMBER: EQ-P1820-B
	CHECKED BY: TP	SCALE: NTS	DESCRIPTION: Equipment Platform 18 x 20 Base
	DATE: 02/29/12	MATERIAL: A36, A568	DRAWING TYPE: ASSEMBLY DRAWING
	REVISION: A	FINISH: GALV A123	
	WEIGHT: 4665.88 LBS	WESTCHESTER, IL. 60154 U.S.A.	