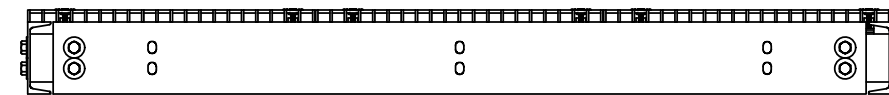
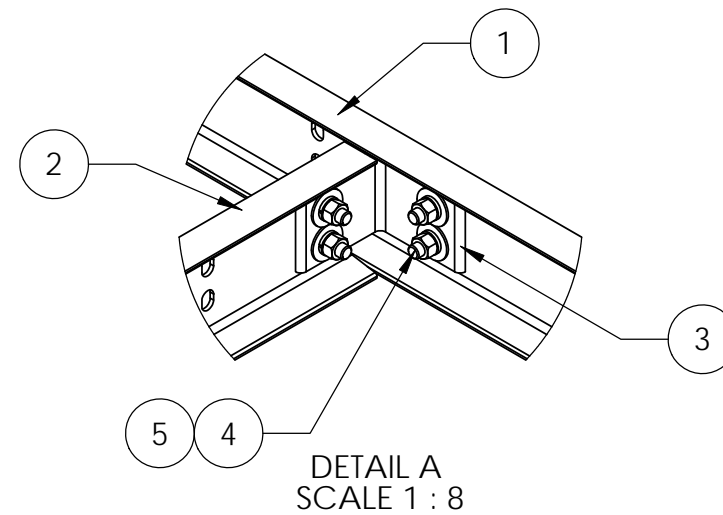
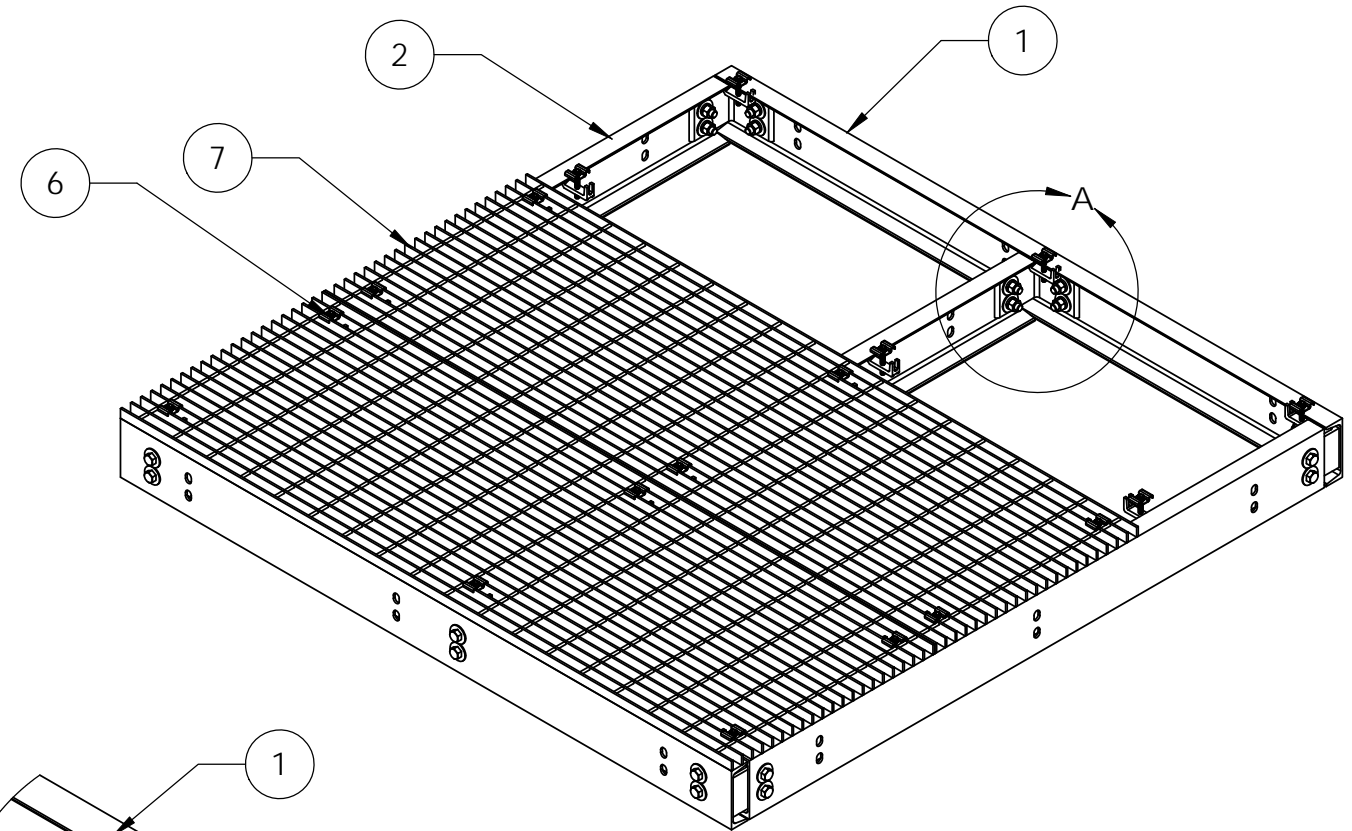
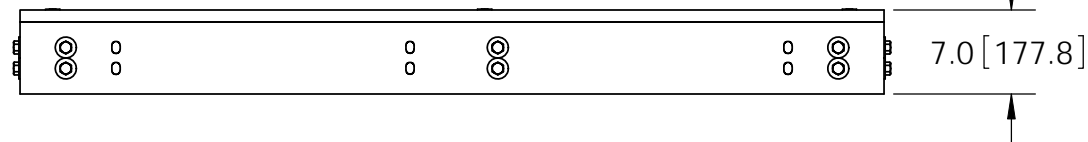
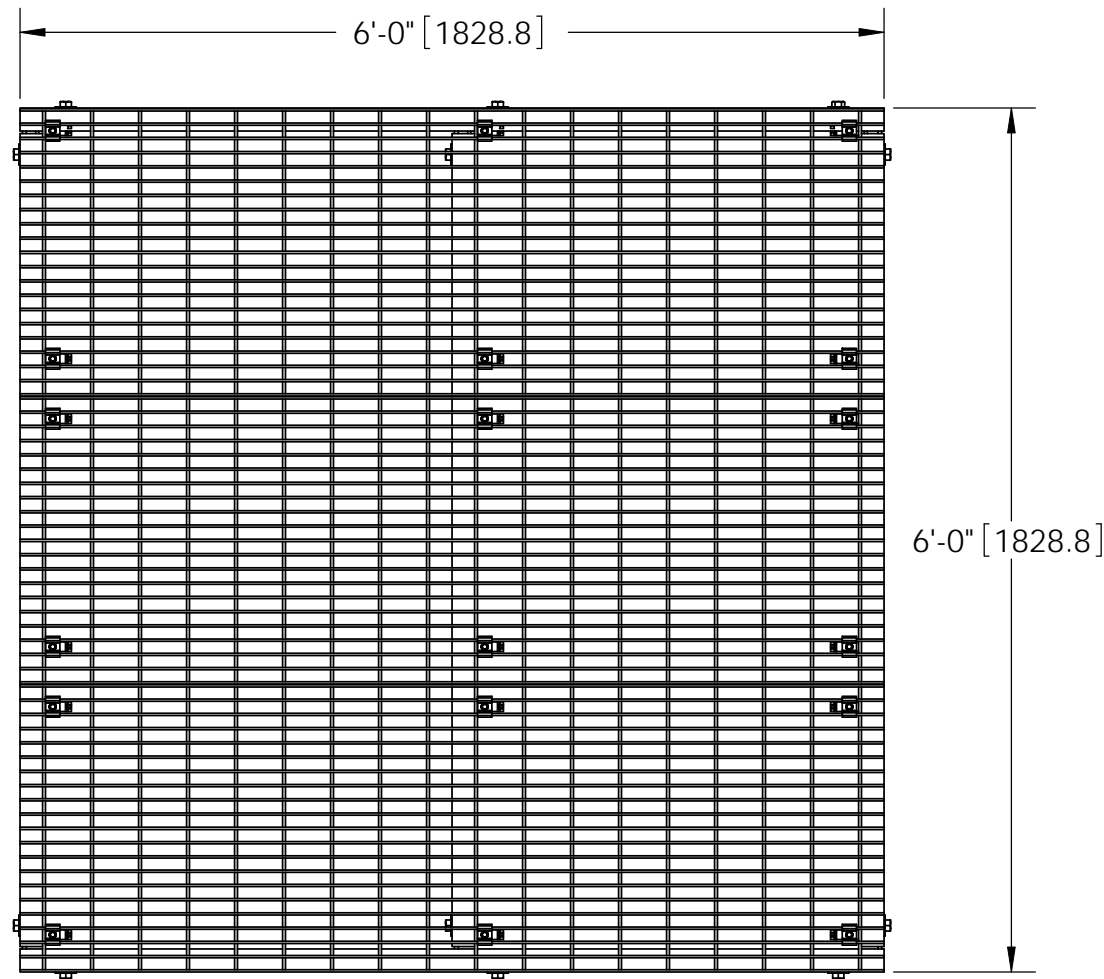



ITEM	PART NO.	DESCRIPTION	QTY.	WEIGHT
1	MTCPCS06.01	6' Platform Channel Side	2	48.51 LBS
2	MTCPC06.01	6' Platform Channel Center	3	46.23 LBS
3	MTCP.01	6" Channel Adapter Angle	6	3.18 LBS
4	GB-05205	5/8" X 2" GALV BOLT KIT	24	0.27 LBS
5	GWF-05	5/8" GALV FLAT WASHER	48	0.03 LBS
6	GCM03	GRATING CLIP	18	0.39 LBS
7	MTC9049.12	24" X 72" BAR GRATING	3	84.87 LBS

REVISIONS				
REV.	ZONE	DESCRIPTION	BY	DATE
A		INITIAL RELEASE	MSM	03/17/11



NOTES:
 1. ALL METRIC DIMENSIONS ARE IN BRACKETS.
 2. GRATING REMOVED FOR CLARITY.

<small>These drawings and specifications are the proprietary property of ANDREW CORPORATION and may be used only for the specific purpose authorized in writing by Andrew Corporation.</small> ALL DIMENSIONS ARE IN INCHES U.O.S. TOLERANCES UNLESS OTHERWISE SPECIFIED: .X = ± .12 ANGLES ±2° .XX = ± .06 FRACTIONS ±1/32 .XXX = ± .03 REMOVE BURRS AND BREAK EDGES .005 DO NOT SCALE THIS PRINT	DRAWN BY: MSM	SHEET: 1 of 1	PART NUMBER: EQ-P6C0606-B
	CHECKED BY: TP	SCALE: NTS	DESCRIPTION: 6' X 6' Equipment Platform
	DATE: 03/17/11	MATERIAL: A36, A568, A572	DRAWING TYPE: ASSEMBLY DRAWING
	REVISION: A	FINISH: GALV A123	
	WEIGHT: 528.11 LBS	WESTCHESTER, IL. 60154 U.S.A.	