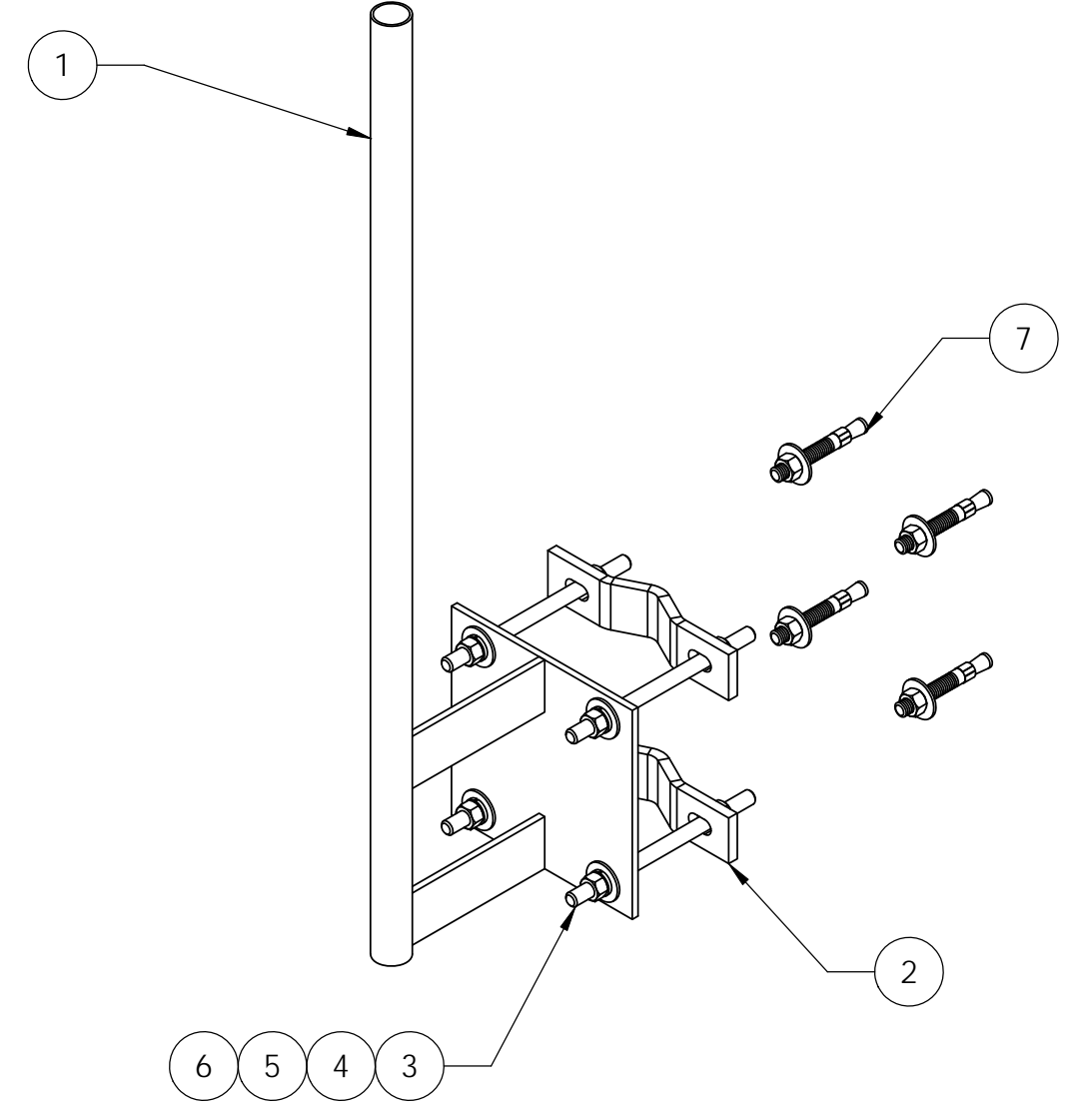
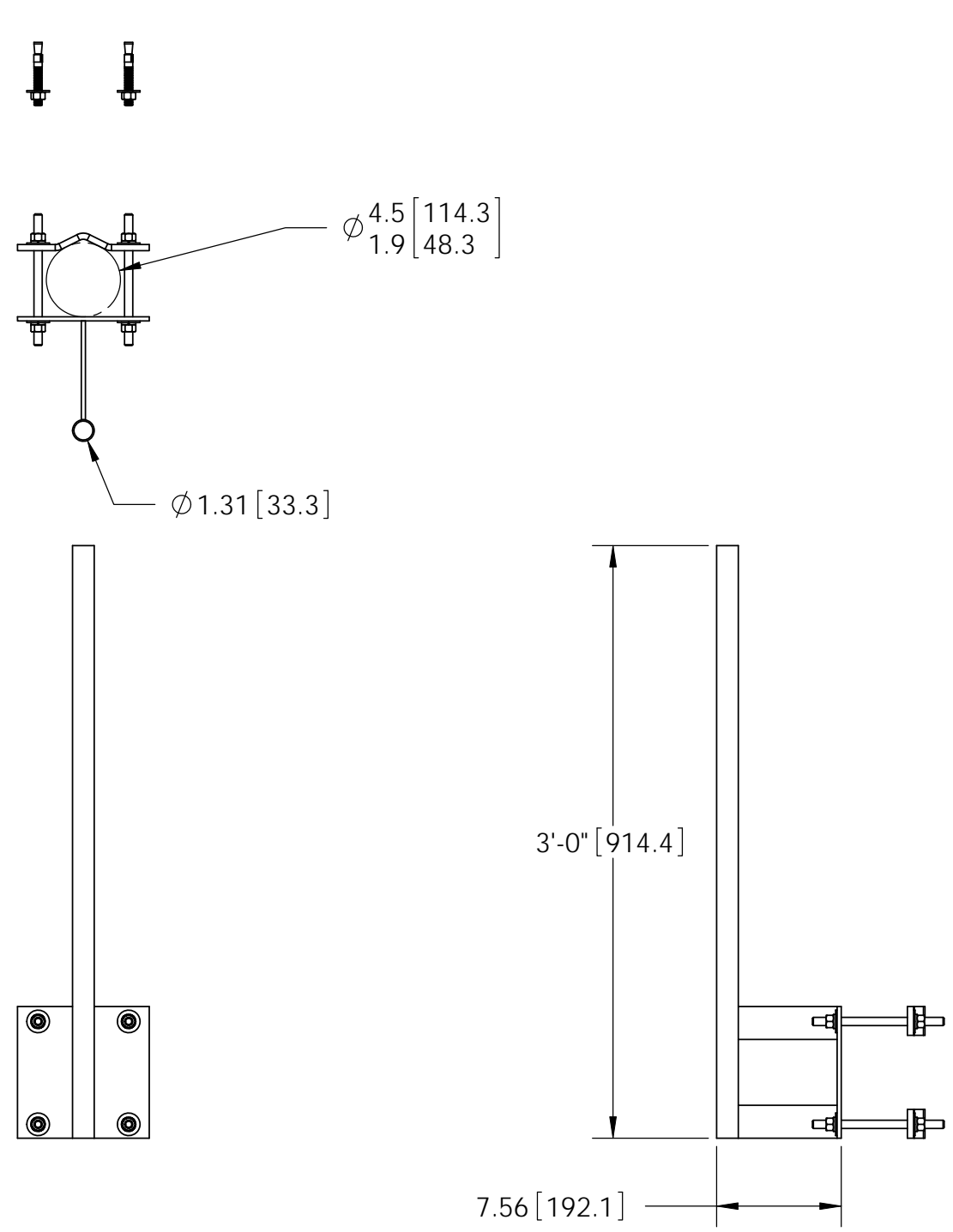


ITEM	PART NO.	DESCRIPTION	QTY.	WEIGHT
1	MTC3329W01	GPS Bracket Weldment	1	9.30 LBS
2	MTC3329W02	CLAMP HALF, 1.9" - 4.5" OD, 1/2" Hardware	2	1.43 LBS
3	MT-379-8	1/2" X 8" GALV THREADED ROD	4	0.44 LBS
4	GWF-04	1/2" GALV FLAT WASHER	8	0.06 LBS
5	GWL-04	1/2" GALV LOCK WASHER	8	0.09 LBS
6	GN-04	1/2" GALV HEX NUT	8	0.04 LBS
7	MT-271	1/2" ANCHOR BOLT	4	0.25 LBS

REVISIONS				
REV.	ZONE	DESCRIPTION	BY	DATE
A		INITIAL RELEASE	MSM	1/12/12



- NOTES:
1. ALL METRIC DIMENSIONS ARE IN BRACKETS.
 2. FITS ROUND PIPE 1.90" TO 4.50" OD.
 3. ANCHORS INCLUDED FOR WALL MOUNTING.

<small>These drawings and specifications are the proprietary property of CommScope Inc. and may be used only for the specific purpose authorized in writing by CommScope Inc.</small> ALL DIMENSIONS ARE IN INCHES U.S.O.S. TOLERANCES UNLESS OTHERWISE SPECIFIED: .X = ± .12 ANGLES ±2° .XX = ± .06 FRACTIONS ±1/32 .XXX = ± .03 REMOVE BURRS AND BREAK EDGES .005 DO NOT SCALE THIS PRINT	DRAWN BY: MSM	SHEET: 1 of 1	PART NUMBER: GPS-U
	CHECKED BY: TP	SCALE: NTS	DESCRIPTION: GPS Mount 1-5/16 Pipe
	DATE: 11/17/11	MATERIAL: A36, A500	DRAWING TYPE: ASSEMBLY DRAWING
	REVISION: A	FINISH: GALV A123	WEIGHT: 15.66 LBS