

8

7

6

5

4

3

2

1

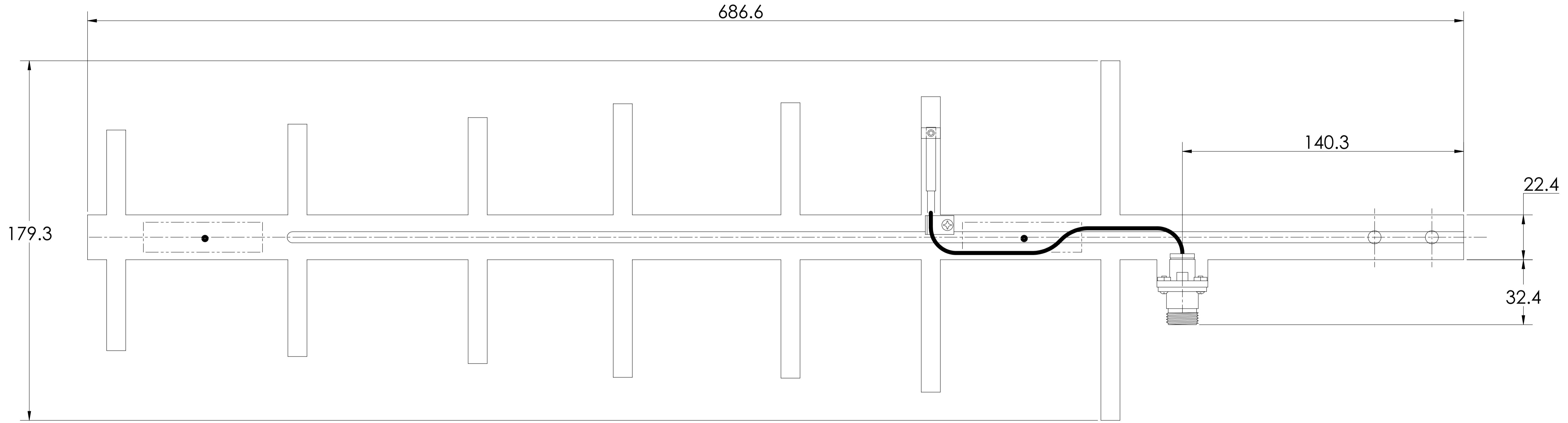
NOTES:

REVISIONS			
REV	DESCRIPTION	DATE	APPROVED

D

D

THIRD ANGLE PROJECTION





ASPJ810

C

B

A

A

MATERIAL N/A	DENSITY: MASS: N/A	UNLESS OTHERWISE SPECIFIED DIMENSIONS ARE IN MILLIMETERS INTERPRET PER ISO STANDARDS HANDBOOK TECHNICAL DRAWINGS, VOLUMES 1 & 2, THIRD EDITION (2002)	 WESTCHESTER, IL. 60154 U.S.A.		
FINISH N/A	TOLERANCES 0 PLACE X± 1 PLACE .X± 2 PLACE .XX± ANGLES ±	THIRD ANGLE PROJECTION 	PRODUCT DRAWING		
		DRAWN BY ECN	SIZE A1	CAGE CODE 84147	DOCUMENT NO. ASPJ810-L
NOTICE: These drawings and specifications are the proprietary property of ANDREW CORPORATION and may be used only for the specific purpose authorized in writing by Andrew.		AUTH. GROUP	MODEL	DRAWING	SHEET
		VERSION	STATUS	REVISION	VERSION
					1 OF 1

8

7

6

THIRD ANGLE PROJECTION

3

2

1