

8

7

6

5

4

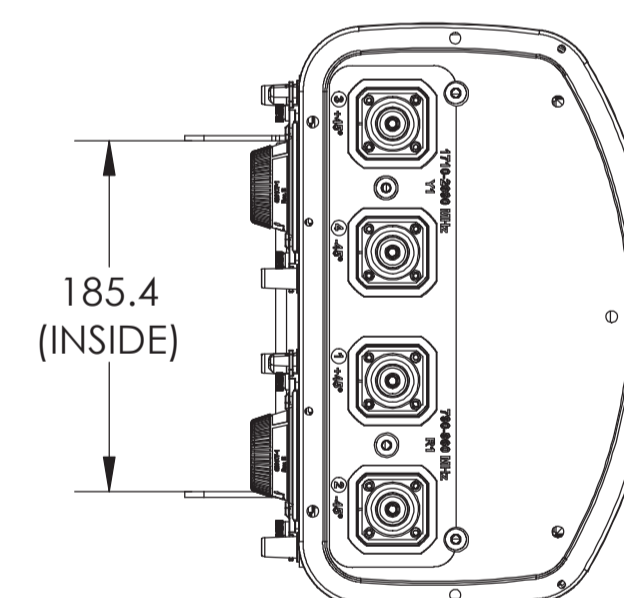
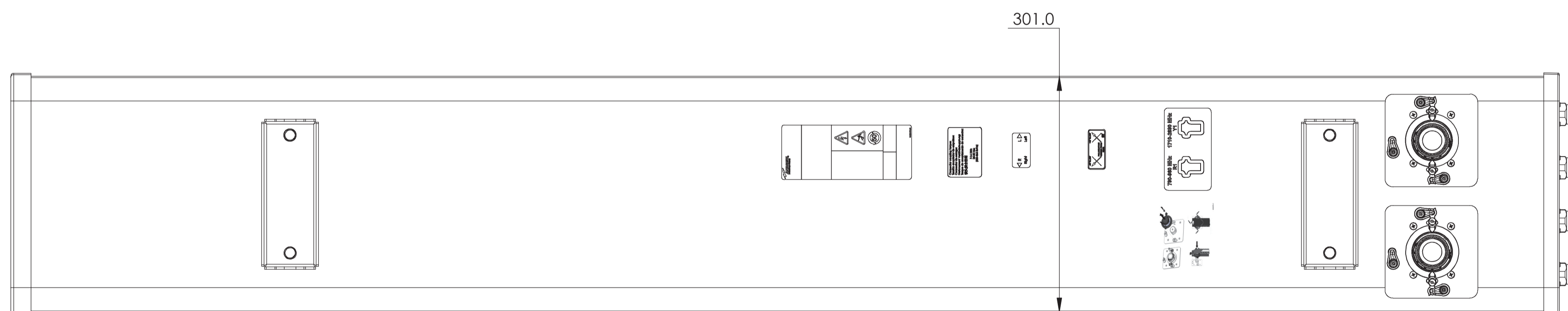
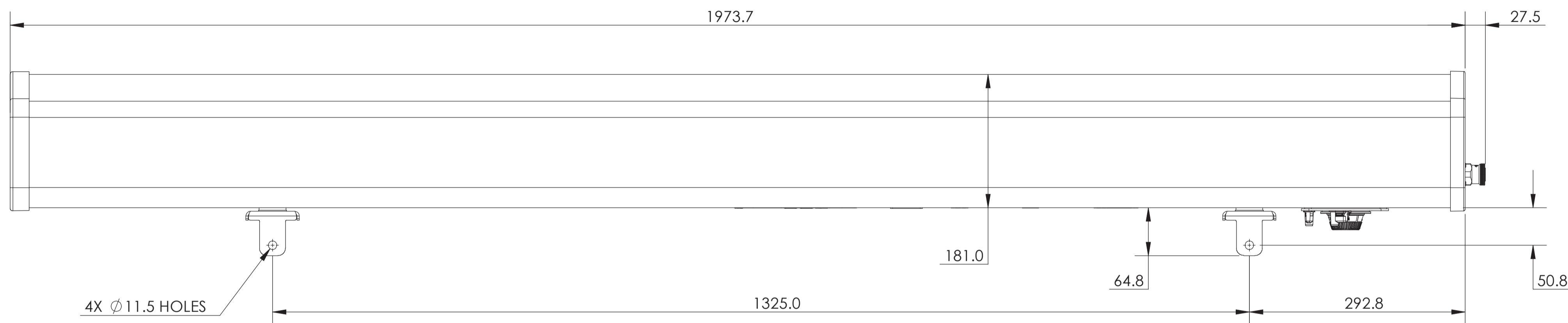
3

2

1

NOTES:

REVISIONS			
REV	DESCRIPTION	DATE	APPROVED
A	ECR 8000000517: NEW RELEASE TO PRODUCTION.	25APR13 SJT	S.LIU/JIHE
B	ECR 8000000594: UPDATE DRAWING PER LABEL CHANGED.	14MAY13 THD	HHCHEN/JUFYU
C	ECR 8000001753: ADD SHEETS 3 & 4.	29OCT13 ZW	S.LIU/JIHE
D	ECR 8000004842: ADD DXF FILES.	27AUG14 RY	S.LIU/JIHE
E	ECR 8000006495: UPDATE DRAWING WITH LATEST MODEL.	26JAN15 HWW	S.LIU/JIHE



CV65BSX-M

THIRD ANGLE PROJECTION

MATERIAL N/A	DENSITY: MASS:	UNLESS OTHERWISE SPECIFIED DIMENSIONS ARE IN MILLIMETERS INTERPRET PER ISO STANDARDS HANDBOOK, TECHNICAL DRAWINGS, VOLUMES 1 & 2, THIRD EDITION (2002)	WESTCHESTER, IL. 60154 U.S.A.	
FINISH N/A	TOLERANCES 0 PLACE X± 1 PLACE .X± 2 PLACE .XX± ANGLES ± ALL SURFACES ✓	THIRD ANGLE PROJECTION 	PRODUCT DRAWING	
DRAWN BY SJT 25APR13 ECN 8000006495-O		SIZE A1	CAGE CODE 84147	DOCUMENT NO. CV65BSX-M-L
NOTICE: These drawings and specifications are the proprietary property of ANDREW CORPORATION and may be used only for the specific purpose authorized in writing by Andrew.		AUTH. GROUP 23	MODEL	DRAWING
		VERSION 03	STATUS RE	REVISION D
		VERSION 04	STATUS RE	REVISION E
				SHEET 1 OF 4

8

7

6

THIRD ANGLE PROJECTION

3

2

1

8

7

6

5

4

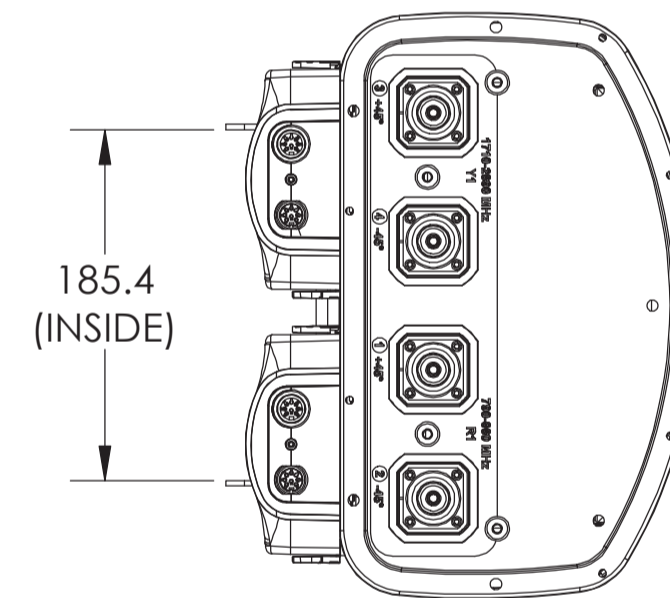
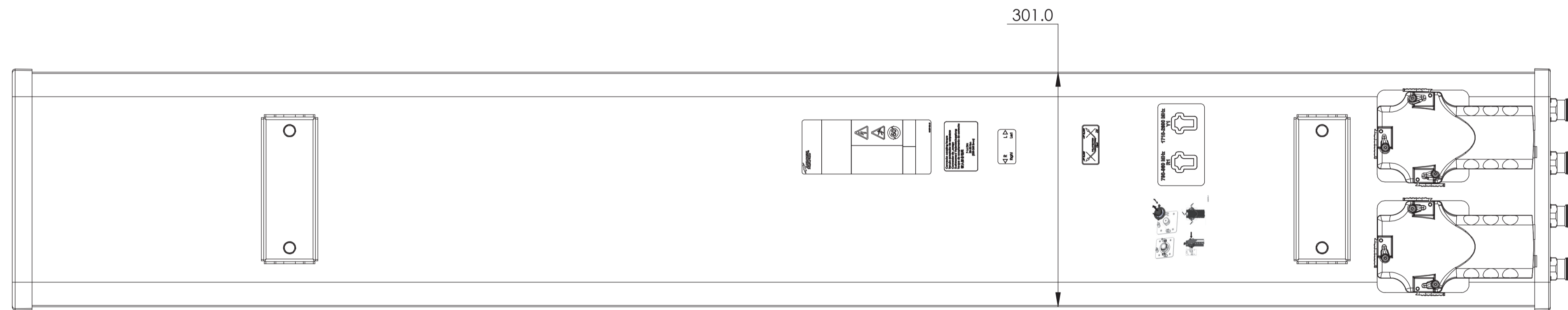
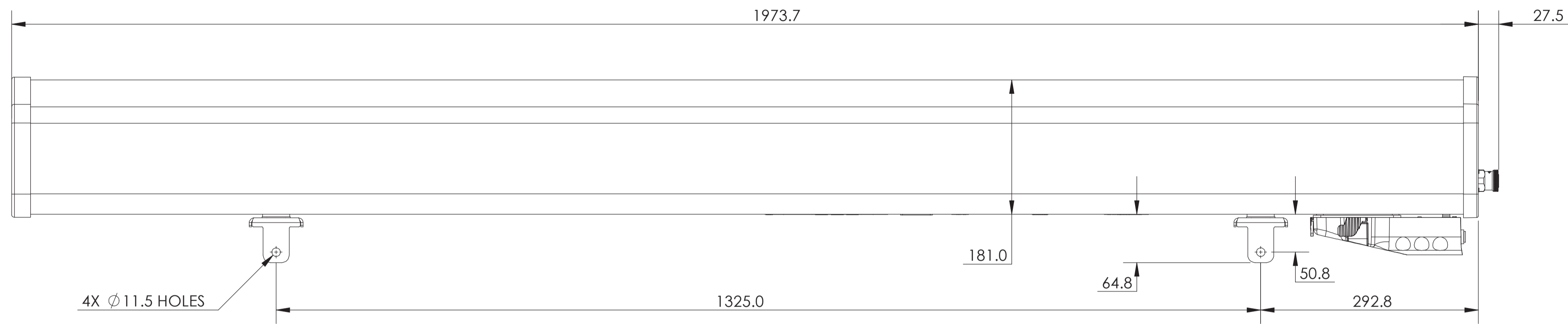
3

2

1

D

D



CV65BSX-2X2

THIRD ANGLE PROJECTION

A

A

ANDREW WESTCHESTER, IL. 60154 U.S.A.

PRODUCT DRAWING

THIRD ANGLE PROJECTION



SIZE **A1 84147**

DOCUMENT NO. **CV65BSX-M-L**

NOTICE: These drawings and specifications are the proprietary property of ANDREW CORPORATION and may be used only for the specific purpose authorized in writing by Andrew.

VERSION	STATUS	REVISION	SHEET
04	RE	E	2 OF 4

8

7

6

THIRD ANGLE PROJECTION

3

2

1

8

7

6

5

4

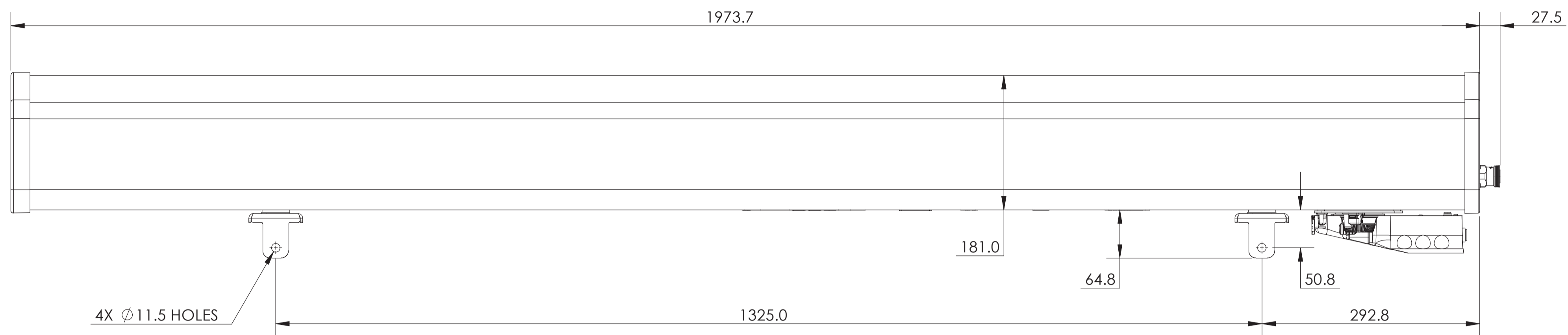
3

2

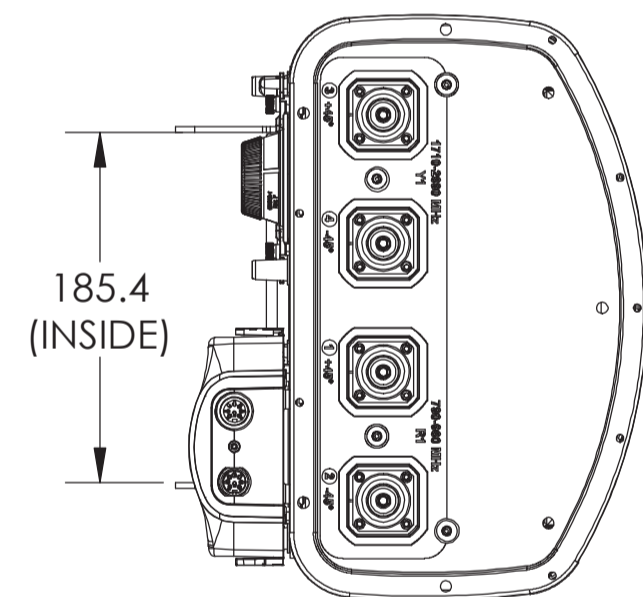
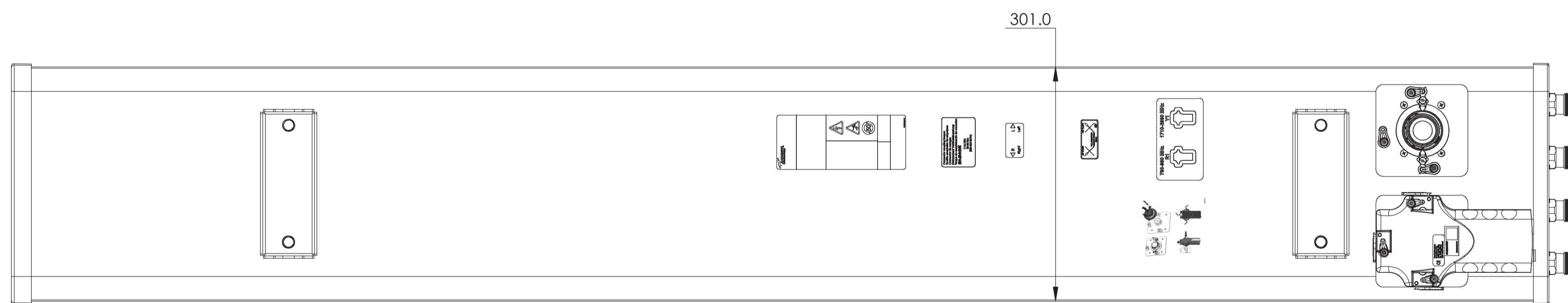
1

D

D



C



B

CV65BSX-2M

A

A

**ANDREW** WESTCHESTER, IL. 60154  
U.S.A.

PRODUCT DRAWING

THIRD ANGLE PROJECTION



SIZE **A1 84147**

DOCUMENT NO. **CV65BSX-M-L**

NOTICE: These drawings and specifications are the proprietary property of ANDREW CORPORATION and may be used only for the specific purpose authorized in writing by Andrew.

VERSION	STATUS	REVISION	SHEET
04	RE	E	3 OF 4

8

7

6

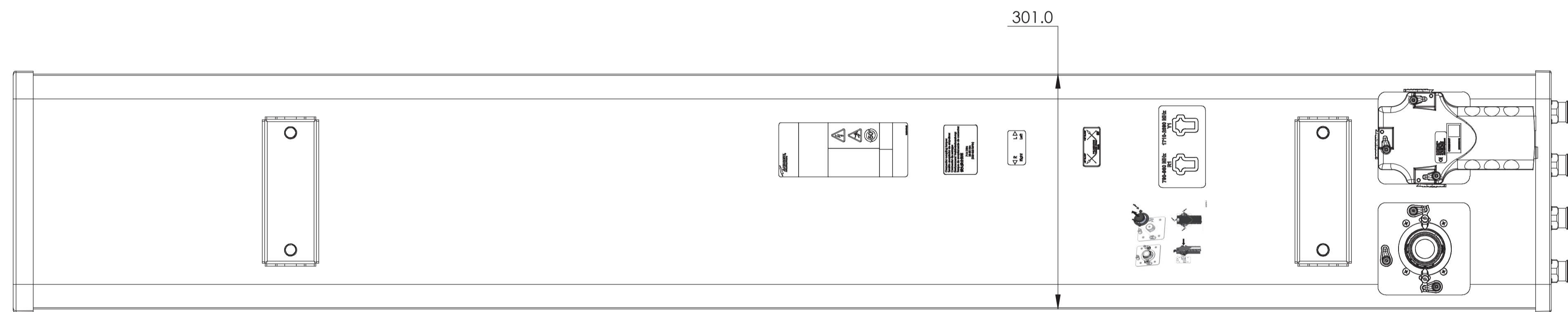
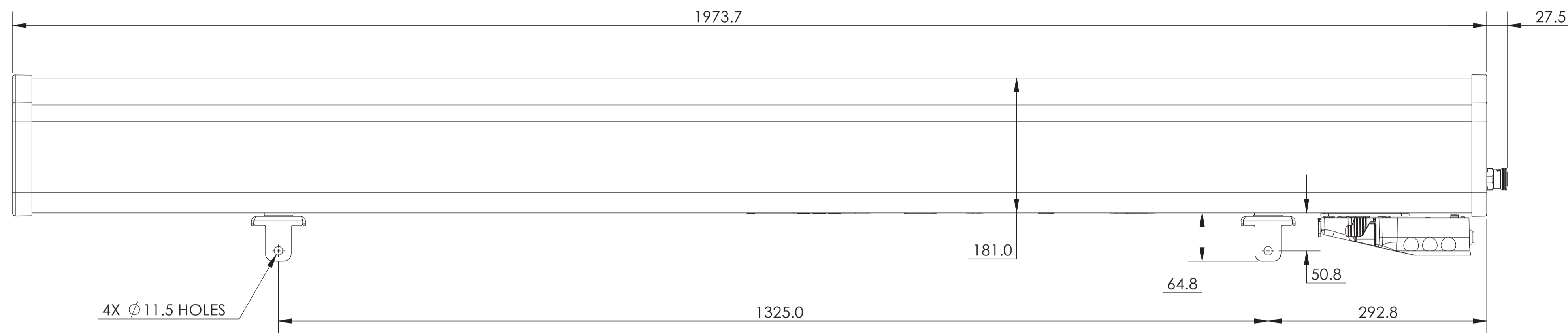
THIRD ANGLE PROJECTION

3

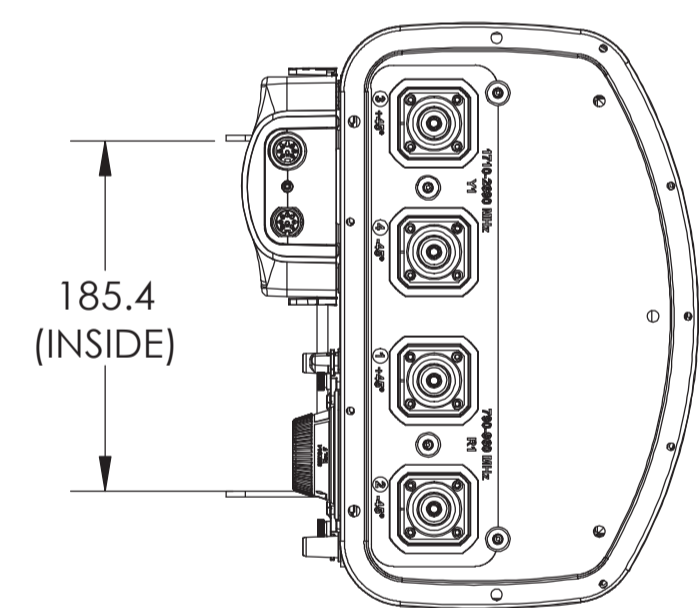
2

1

THIRD ANGLE PROJECTION



CV65BSX-M2



**ANDREW** WESTCHESTER, IL. 60154  
U.S.A.

PRODUCT DRAWING

THIRD ANGLE PROJECTION



SIZE **A1 84147**

CAGE CODE **84147**

DOCUMENT NO. **CV65BSX-M-L**

NOTICE: These drawings and specifications are the proprietary property of ANDREW CORPORATION and may be used only for the specific purpose authorized in writing by Andrew.

VERSION	STATUS	REVISION	SHEET
04	RE	E	4 OF 4

THIRD ANGLE PROJECTION