

4

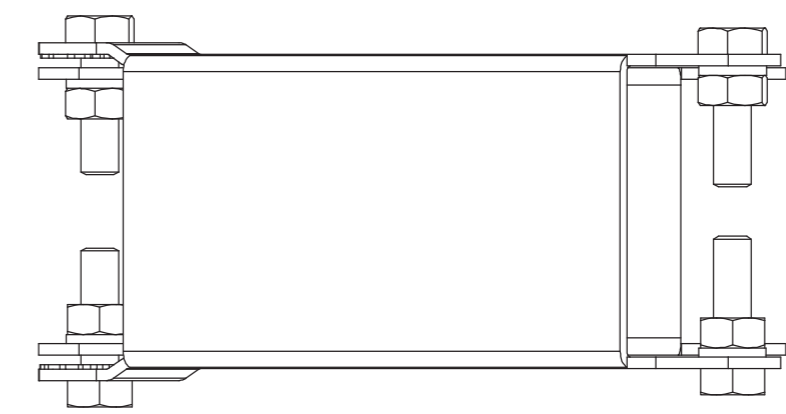
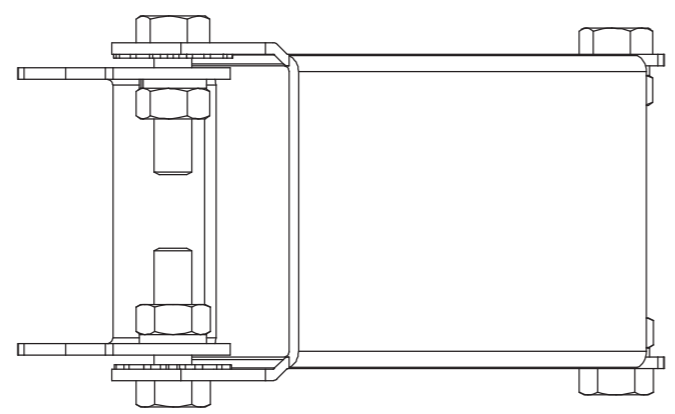
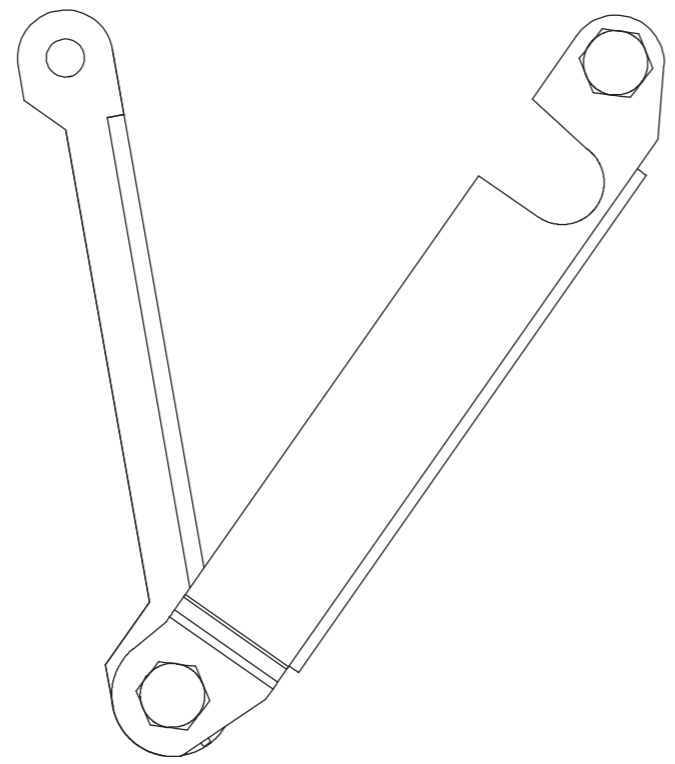
3

2

1



NOTES:

REVISIONS			
REV	DESCRIPTION	DATE	APPROVED
A	ECR 8000003574: REL TO PRODUCTION PER EAO 601665	17SEP14 JJH	MB XA



**DB5098E**

CONFIDENTIAL

MATERIAL N/A	DENSITY: N/A	UNLESS OTHERWISE SPECIFIED DIMENSIONS ARE IN MILLIMETERS INTERPRET PER ISO STANDARDS HANDBOOK TECHNICAL DRAWINGS, VOLUMES 1 & 2, THIRD EDITION (2002)	 WESTCHESTER, IL. 60154 U.S.A.		
	MASS: 1.350 Kg				
FINISH N/A	TOLERANCES		THIRD ANGLE PROJECTION		
	0 PLACE X ±			ANT MOUNT	
	1 PLACE .X ±				
	2 PLACE .XX ±	DRAWN BY JJH 17SEP14	SIZE A2	CAGE CODE 84147	DOCUMENT NO. DB5098E-L
ANGLES ±	ECN 8000003574-O				
ALL SURFACES ✓		AUTH. GROUP 23	MODEL	DRAWING	
NOTICE: These drawings and specifications are the proprietary property of ANDREW CORPORATION and may be used only for the specific purpose authorized in writing by Andrew.			VERSION 00	STATUS RE	REVISION A
			VERSION 00	STATUS RE	REVISION A

SHEET 1 OF 1

4

3

2

1