

4

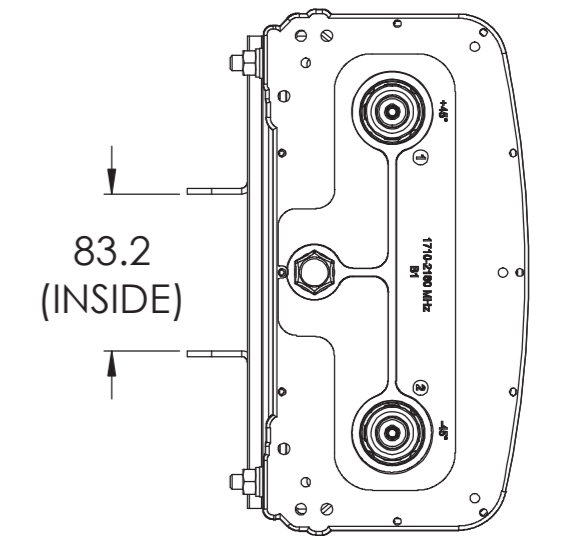
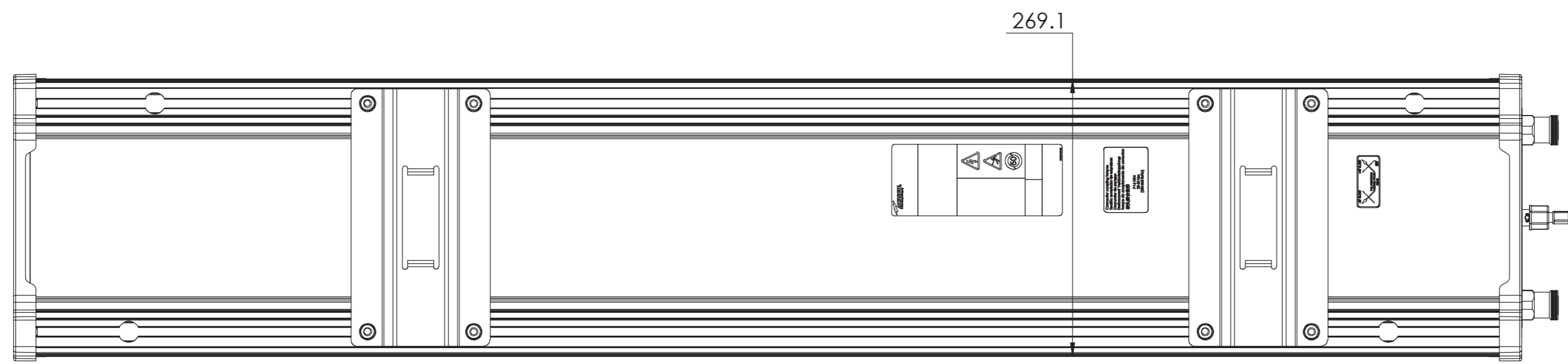
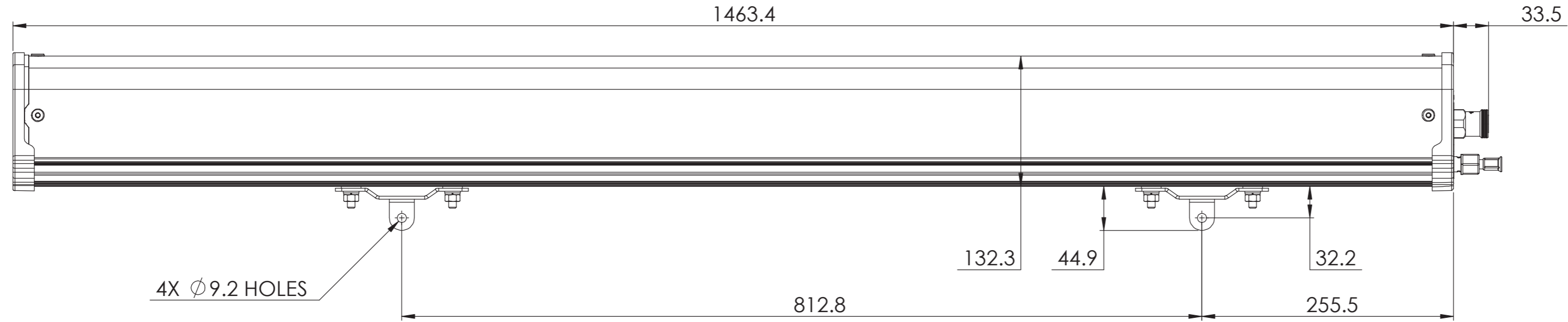
3

2

1

NOTES:

REVISIONS			
REV	DESCRIPTION	DATE	APPROVED
A	ECR 5050360: RELEASE TO PRODUCTION.	28MAY08 WHM	XA/ZB
G	ECR 8000001357: UPDATE DRAWING.	09SEP13 XHX	EB/GD
H	ECR 8000004982: UPDATE DRAWING.	03SEP14 ZW	S.LIU/JIHE
J	ECR 8000005403: ADD DXF FILE.	15OCT14 SJT	S.LIU/JIHE
K	ECR 8000006153: UPDATE DRAWING WITH LATEST MODEL.	24DEC14 QF	S.LIU/JIHE



UMWD-03319A-XDM
HBX-3319DS-VTM

MATERIAL N/A	DENSITY: MASS: N/A	UNLESS OTHERWISE SPECIFIED DIMENSIONS ARE IN MILLIMETERS INTERPRET PER ISO STANDARDS HANDBOOK TECHNICAL DRAWINGS VOLUMES 1 & 2, THIRD EDITION (2002)	WESTCHESTER, IL. 60154 U.S.A.					
FINISH N/A	TOLERANCES 0 PLACE X ± 1 PLACE .X ± 2 PLACE .XX ± ANGLES ± ALL SURFACES ✓	THIRD ANGLE PROJECTION	PRODUCT DRAWING					
			DRAWN BY WHM 28MAY08 ECN 8000006153-O	SIZE A2 84147 CAGE CODE DOCUMENT NO. UMWD-03319A-XDM-L				
NOTICE: These drawings and specifications are the proprietary property of ANDREW CORPORATION and may be used only for the specific purpose authorized in writing by Andrew.		AUTH. GROUP 23	MODEL	DRAWING	SHEET			
		VERSION 10	STATUS RE	REVISION L	VERSION 09	STATUS RE	REVISION K	1 OF 2

4

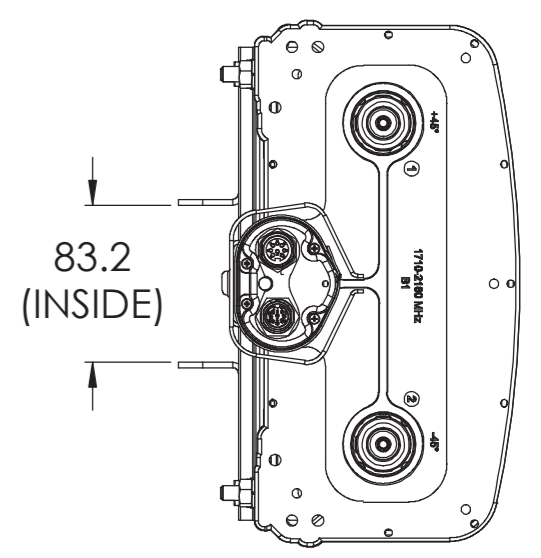
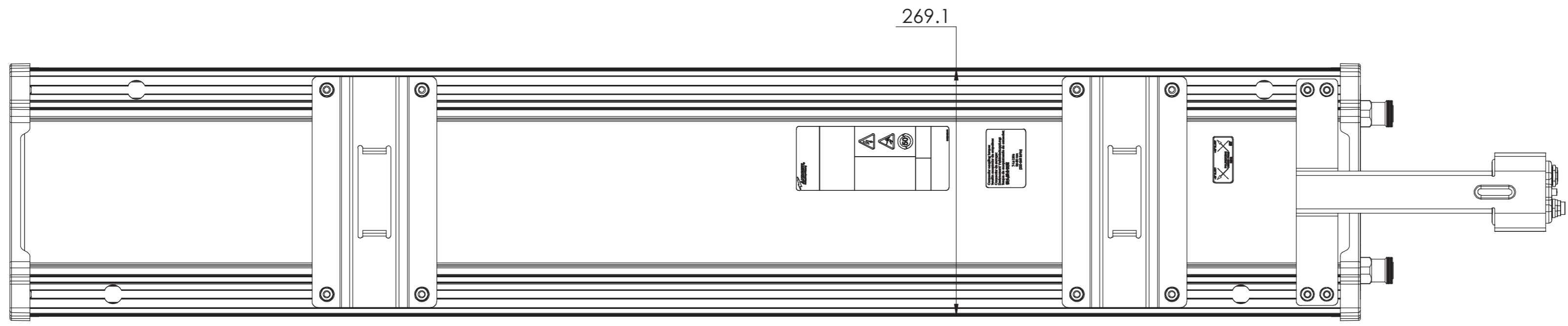
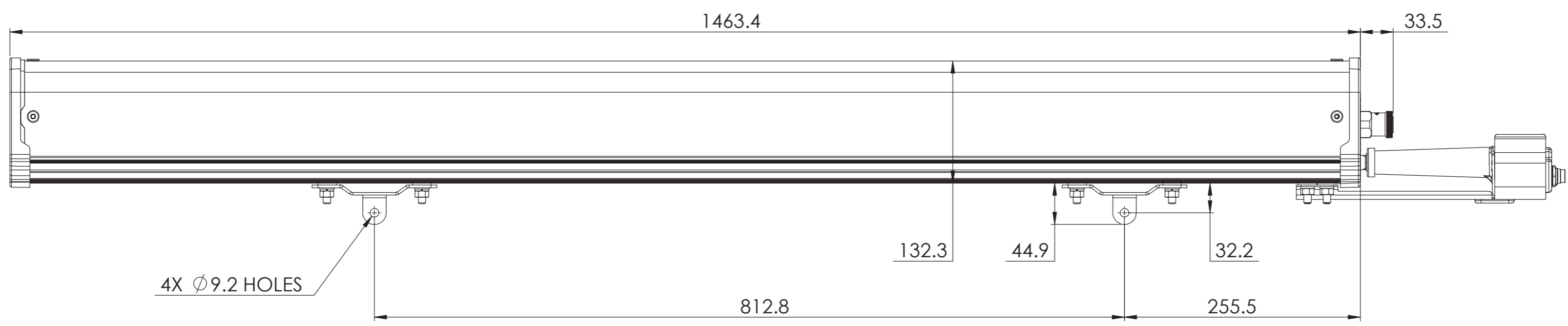
3

2

1

THIRD ANGLE PROJECTION

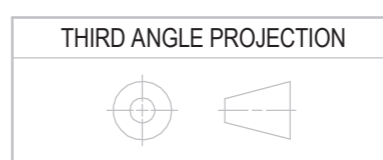
D
C
B
A



UMWD-03319A-R2DM
 HBX-3319DS-R2M
 HBX-3319DS-R3M
 HBX-3319DS-E1M
 HBX-3319DS-A1M
 HBX-3319DS-R1M

ANDREW® WESTCHESTER, IL. 60154
 U.S.A.

PRODUCT DRAWING



SIZE	CAGE CODE	DOCUMENT NO.		
A2	84147	UMWD-03319A-XDM-L		
VERSION	STATUS	REVISION	SHEET	
09	RE	K	2 OF 2	

NOTICE: These drawings and specifications are the proprietary property of ANDREW CORPORATION and may be used only for the specific purpose authorized in writing by Andrew.

4

3

THIRD ANGLE PROJECTION

2

1