

8

7

6

5

4

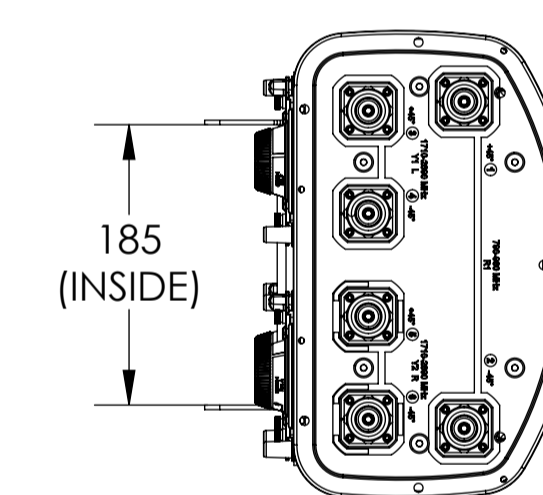
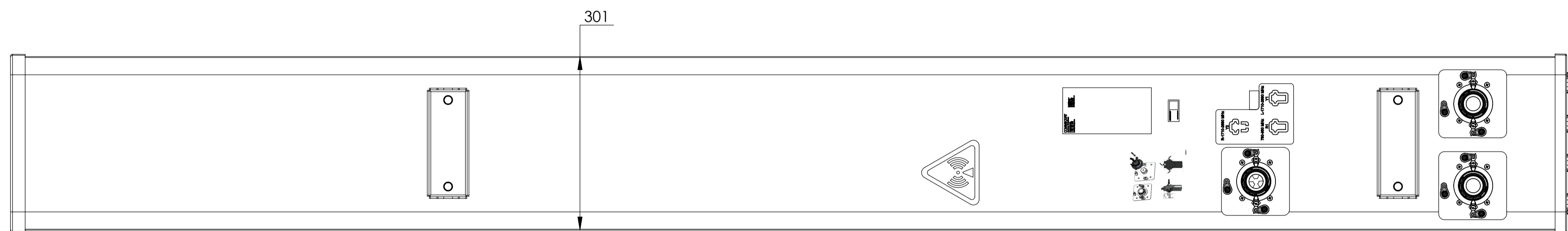
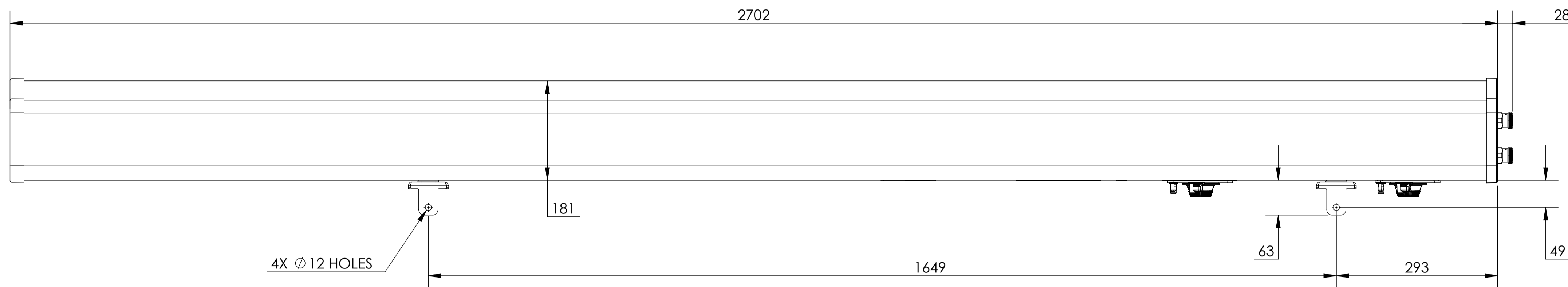
3

2

1

NOTES:

REVISIONS			
REV	DESCRIPTION	DATE	APPROVED
A	ECR 8000002923: RELEASE TO PRODUCTION PER EAO 601704.	03MAR14 JOY	MIN.SHEN/XU.ZHANG
B	ECR 8000006791: UPDATE DRAWING WITH LATEST MODEL.	14FEB15 HWW	S.LIU/JIHE
C	ECR 8000012029: ADD DXF FILES.	18JAN16 LS	S.LIU/JIHE
D	ECR 8000015302: ENDCAP REVISION UPGRADE.	01AUG16 HWN	S.LIU/JIHE
E	ECR 8000028114: UPDATE DRAWING WITH LATEST MODEL.	26JAN18 LXL	S.LIU/JIHE



CVV65DSX-M

THIRD ANGLE PROJECTION

THIRD ANGLE PROJECTION

MATERIAL N/A	DENSITY: MASS:	UNLESS OTHERWISE SPECIFIED DIMENSIONS ARE IN MILLIMETERS INTERPRET PER ISO STANDARDS HANDBOOK, TECHNICAL DRAWINGS, VOLUMES 1 & 2, THIRD EDITION (2002)	WESTCHESTER, IL. 60154 U.S.A.	
FINISH N/A	TOLERANCES 0 PLACE X ± 3 1 PLACE X ± 1.0 2 PLACE .XX ± 0.20 ANGLES ± 0.5 ALL SURFACES ✓	THIRD ANGLE PROJECTION		
		PRODUCT DRAWING		
DRAWN BY JOY 03APR14 ECN 8000028114-O		SIZE A1	CAGE CODE 84147	DOCUMENT NO. CVV65DSX-M-L
NOTICE: These drawings and specifications are the proprietary property of ANDREW CORPORATION and may be used only for the specific purpose authorized in writing by Andrew.		AUTH. GROUP 23	MODEL	DRAWING
VERSION 05	STATUS RE	REVISION F	VERSION 04	STATUS RE
			REVISION E	SHEET 1 OF 2

8

7

6

3

2

1

A

B

C

D

8

7

6

5

4

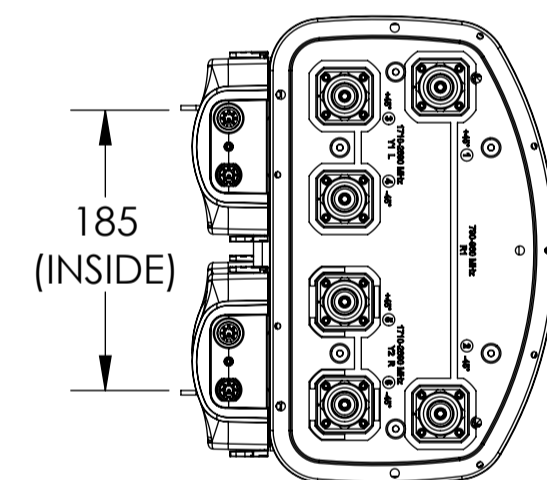
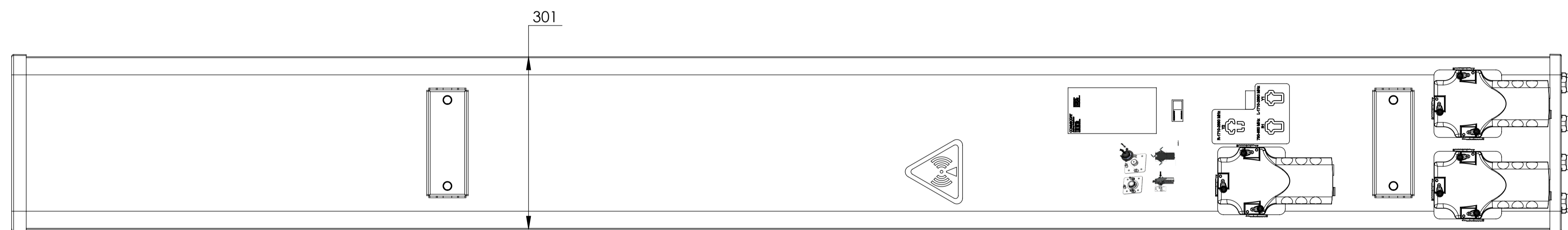
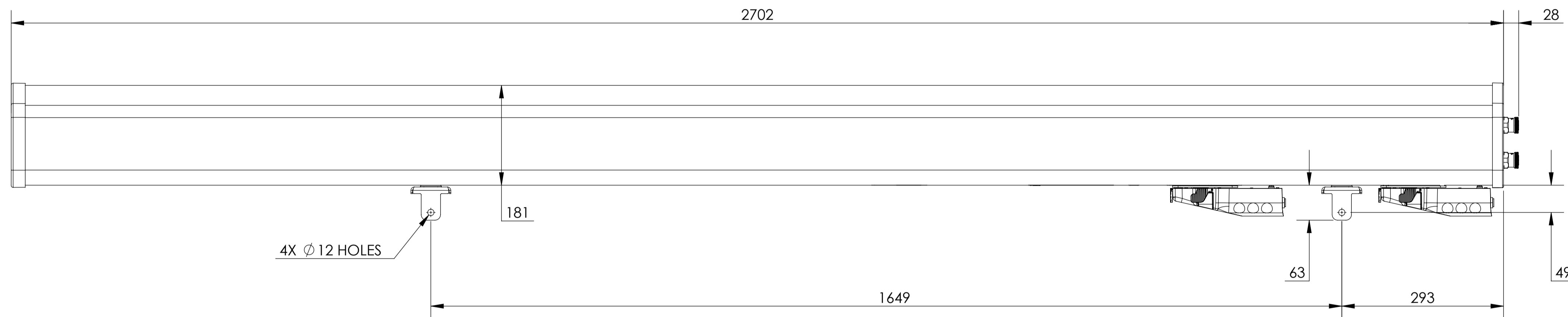
3

2

1

D

D



CVV65DSX-3X2

A

A

WESTCHESTER, IL. 60154
U.S.A.

PRODUCT DRAWING

THIRD ANGLE PROJECTION



SIZE
A1 84147

CAGE CODE
84147

DOCUMENT NO.
CVV65DSX-M-L

NOTICE: These drawings and specifications are the proprietary property of ANDREW CORPORATION and may be used only for the specific purpose authorized in writing by Andrew.

VERSION	STATUS	REVISION	SHEET
04	RE	E	2 OF 2

8

7

6

THIRD ANGLE PROJECTION

3

2

1