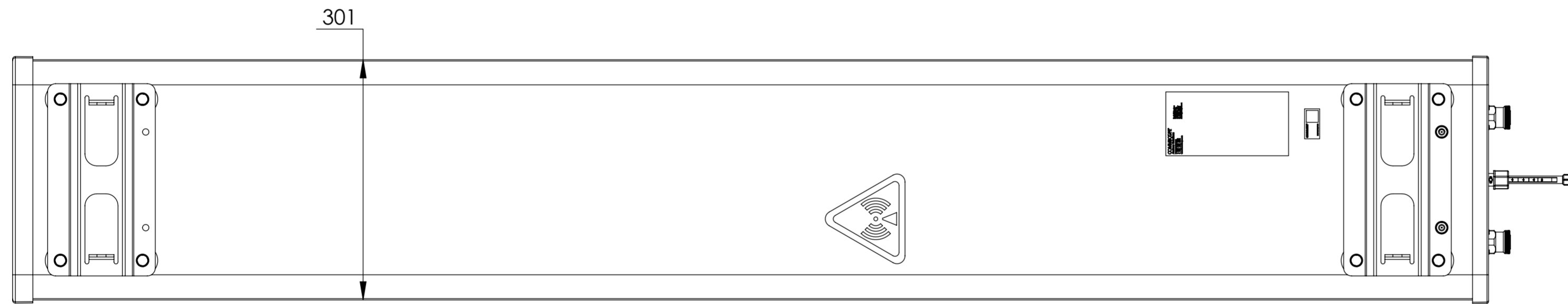
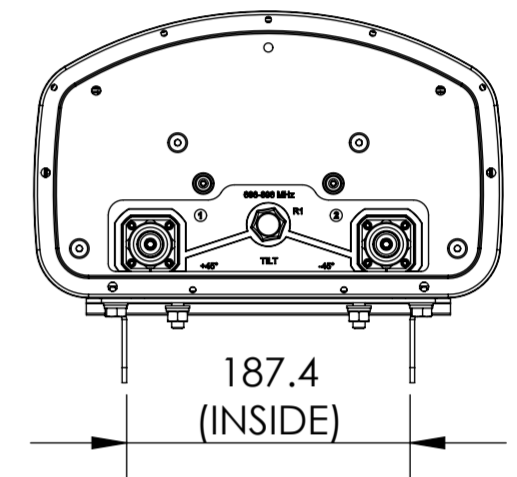
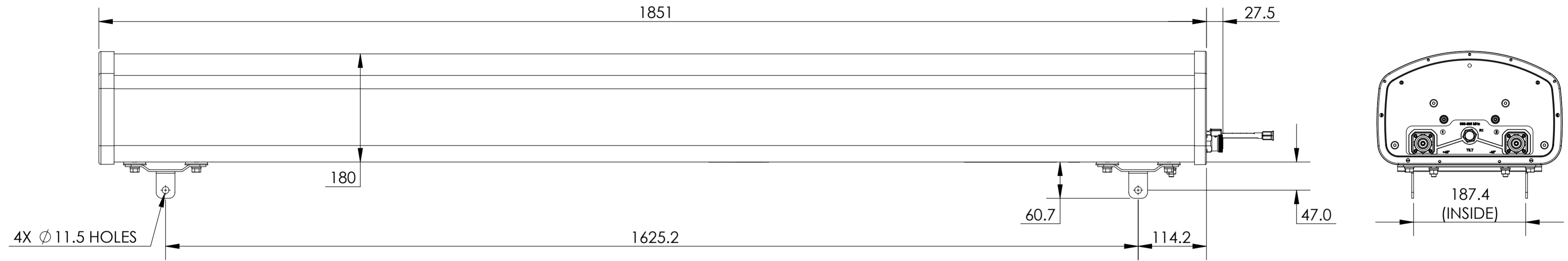


NOTES:

REVISIONS			
REV	DESCRIPTION	DATE	APPROVED
A	ECR 5084675: RELEASE TO PRODUCTION PER EAO 4005289.	03JUN09 K.W	YDWANG/DUANHAO
G	ECR 8000005295: ADD DIMENSION ON SHEET 2.	10OCT14 QJ	EB/GD
H	ECR 8000006791: UPDATE DRAWING WITH LATEST MODEL.	13FEB15 HWW	S.LIU/JIHE
J	ECR 8000013058: UPDATE DRAWING.	23MAR16 QW	LHL/AD
K	ECR 8000033118: ADD DIMENSION ON SHEET 2.	25DEC18 ZW	S.LIU/JIHE



LNX-6514DS-VTM

MATERIAL	DENSITY:	UNLESS OTHERWISE SPECIFIED DIMENSIONS ARE IN MILLIMETERS INTERPRET PER ISO STANDARDS HANDBOOK TECHNICAL DRAWINGS VOLUMES 1 & 2, THIRD EDITION (2002)	WESTCHESTER, IL. 60154 U.S.A.		
	MASS:				
FINISH	TOLERANCES		THIRD ANGLE PROJECTION		
	0 PLACE X ±				
	1 PLACE .X ±				
	2 PLACE .XX ±				
ANGLES ±		DRAWN BY	SIZE	CAGE CODE	DOCUMENT NO.
ALL SURFACES ✓		ECN 8000033118-O	<b>A2</b>	<b>84147</b>	LNX-6514DS-VTM-L
AUTH. GROUP 23		MODEL	DRAWING		
NOTICE: These drawings and specifications are the proprietary property of ANDREW CORPORATION and may be used only for the specific purpose authorized in writing by Andrew.		VERSION	STATUS	REVISION	SHEET
		09	RE	<b>K</b>	1 OF 2

THIRD ANGLE PROJECTION

THIRD ANGLE PROJECTION

THIRD ANGLE PROJECTION

THIRD ANGLE PROJECTION

THIRD ANGLE PROJECTION

4

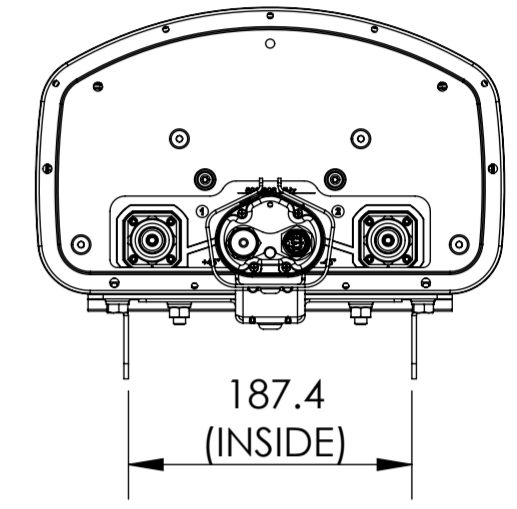
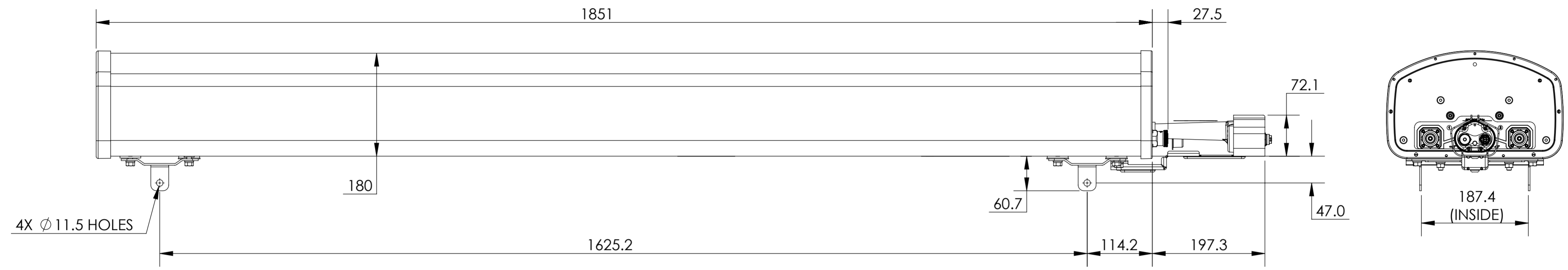
3

2

1

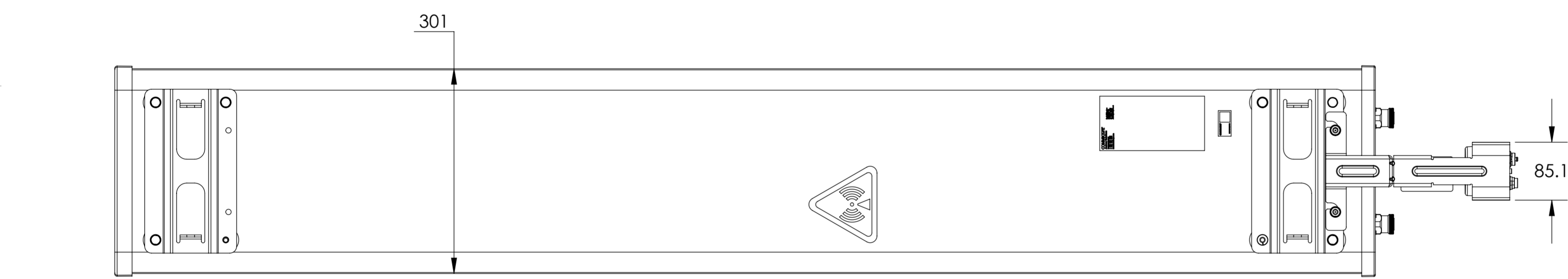
D

D



C

C



LNX-6514DS-R2M  
LNX-6514DS-A1M

B

B

A

A

**ANDREW** WESTCHESTER, IL. 60154  
U.S.A.

PRODUCT DRAWING

THIRD ANGLE PROJECTION		SIZE	CAGE CODE	DOCUMENT NO.	VERSION	STATUS	REVISION	SHEET
		<b>A2</b>	<b>84147</b>	LNX-6514DS-VTM-L	09	RE	<b>K</b>	2 OF 2

NOTICE: These drawings and specifications are the proprietary property of ANDREW CORPORATION and may be used only for the specific purpose authorized in writing by Andrew.

4

3

2

1

THIRD ANGLE PROJECTION