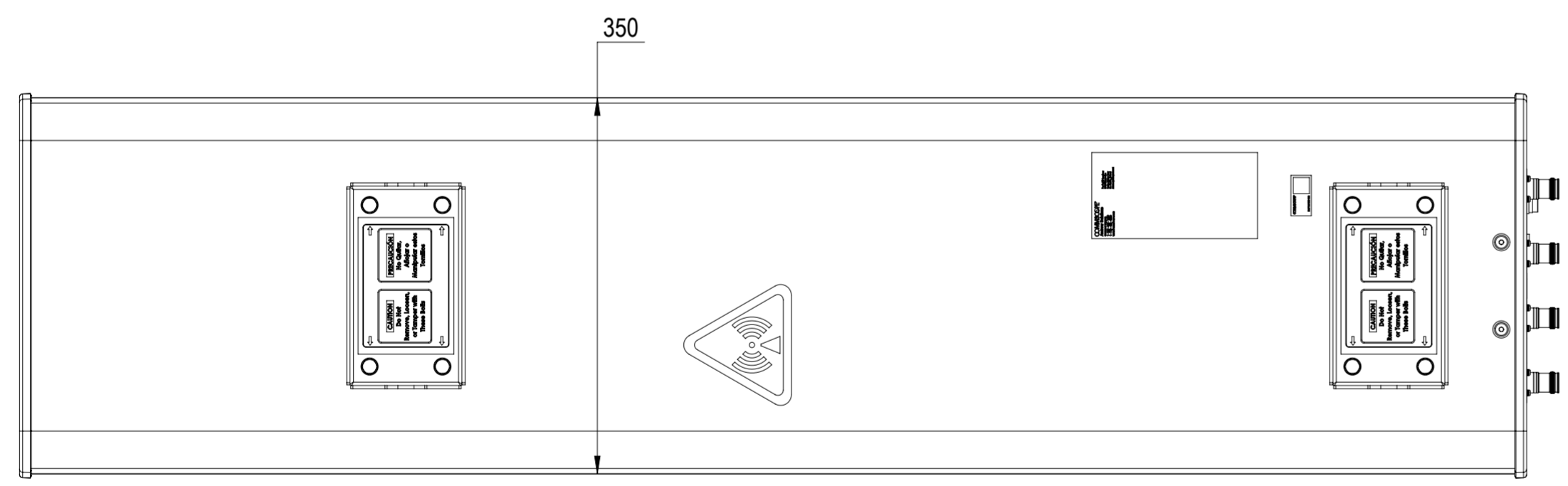
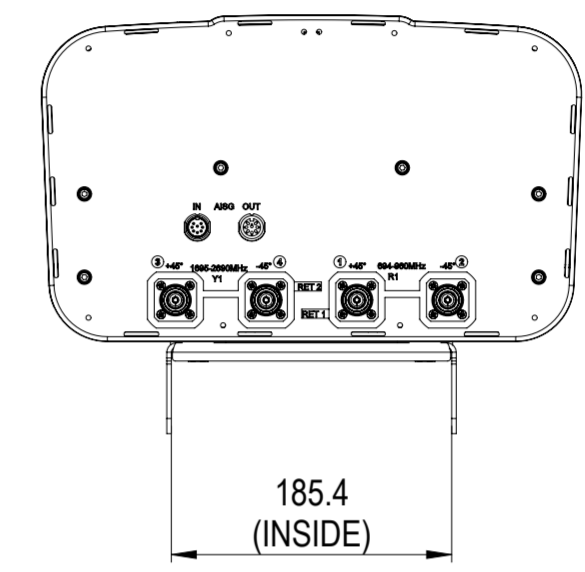
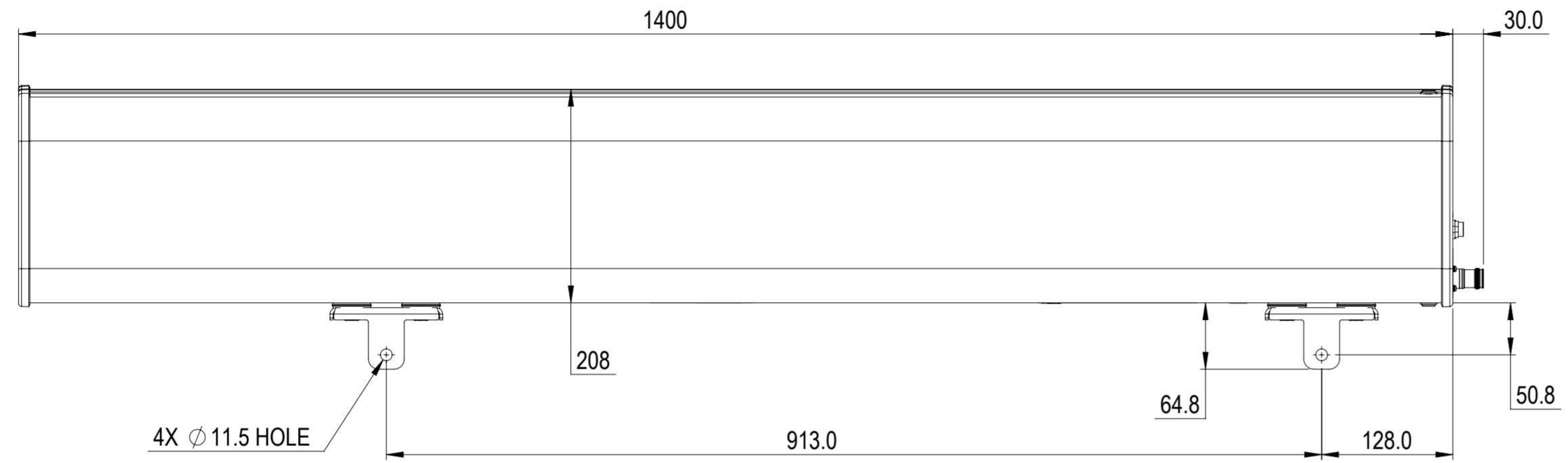


REVISIONS			
REV.	DESCRIPTION	DATE	APPROVED
A	ECR 800033362: RELEASE TO PRODUCTION PER EAO 606147.	01FEB19 AP	RT/SB



RV-65A-R2

COMMSCOPE, INC. OF NORTH CAROLINA

TOLERANCES		SAP MATERIAL MASTER													
0 PLACE X ±	2 PLACE .XX ±														
1 PLACE .X ±	ANGLES ±														
FINISH		MATERIAL													
<small>UNLESS OTHERWISE SPECIFIED DIMENSIONS ARE IN MILLIMETERS INTERPRET PER ISO STANDARDS HANDBOOK TECHNICAL DRAWINGS VOLUMES 1 & 2, THIRD EDITION (2002)</small>		NAME	DATE												
		CE AP1123	01FEB19												
		RW AP1123	02/12/2019												
		RV RT1047	02/12/2019												
		AD TS1073	02/12/2019												
RE AC1095	02/12/2019	ECN 800033362-O													
SCALE		DOCUMENT NO.													
1:5		RV-65A-R2-L													
SIZE	WORK AREA	23	MODEL												
A2			<table border="1"> <tr> <th>VERSION</th> <th>STATUS</th> <th>REVISION</th> <th>VERSION</th> <th>STATUS</th> <th>REVISION</th> </tr> <tr> <td>00</td> <td>RE</td> <td>A</td> <td>00</td> <td>RE</td> <td>A</td> </tr> </table>	VERSION	STATUS	REVISION	VERSION	STATUS	REVISION	00	RE	A	00	RE	A
VERSION	STATUS	REVISION	VERSION	STATUS	REVISION										
00	RE	A	00	RE	A										
HEIGHT		DRAWING													
LENGTH		SHEET													
WIDTH		1 OF 1													