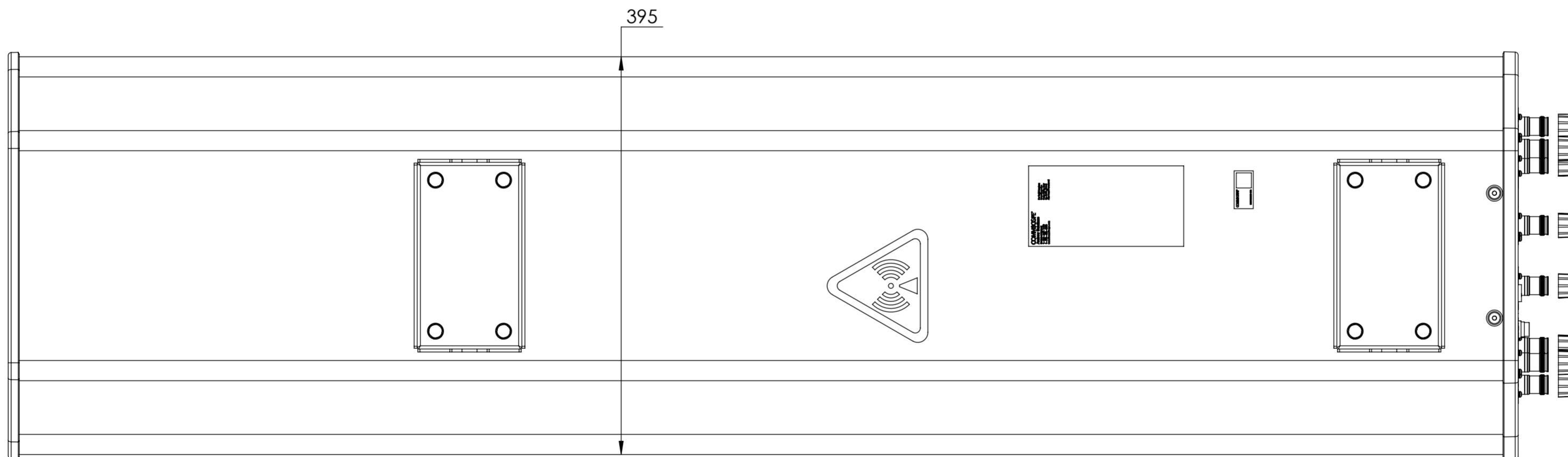
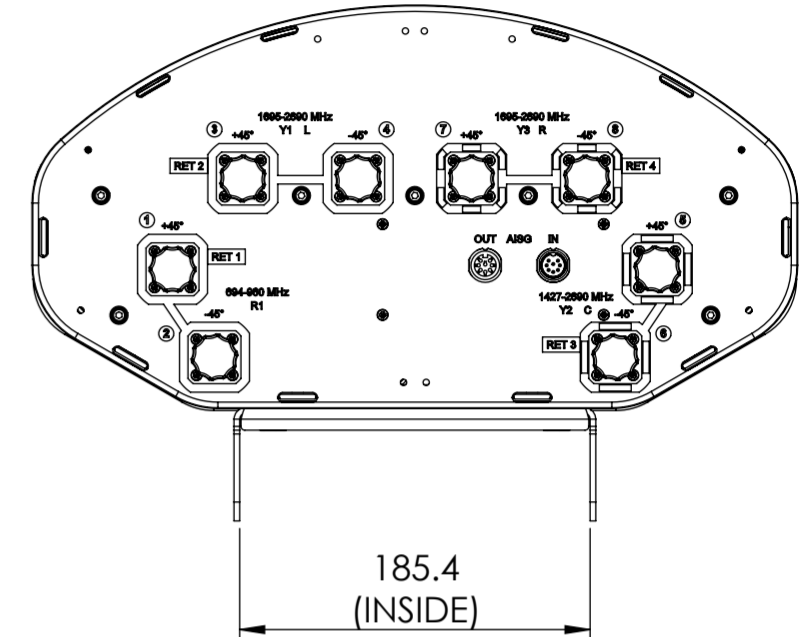
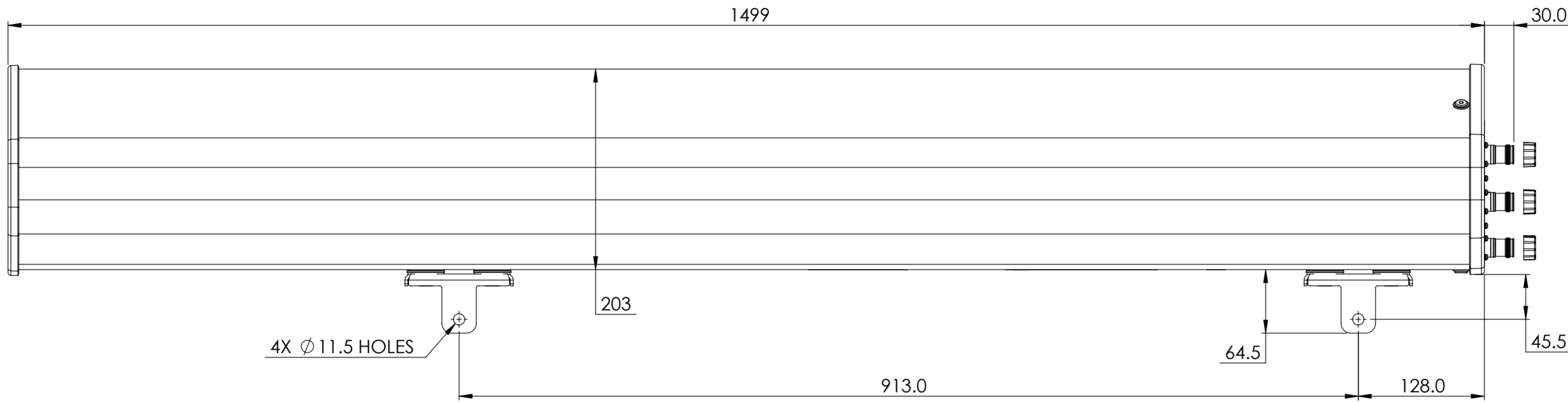


NOTES:

REVISION			
REV.	DESCRIPTION	DATE	APPROVED
A	ECR 8000027678: RELEASE TO PRODUCTION PER EAO 604983.	03APR18 ZHW	H.HUANG / YL



RZVV-65A-R4

COMMSCOPE, INC. OF NORTH CAROLINA										
TOLERANCES					SAP MATERIAL MASTER					
0 PLACE X ±		2 PLACE .XX ±								
1 PLACE .X ±		ANGLES ±								
FINISH					MATERIAL					
UNLESS OTHERWISE SPECIFIED DIMENSIONS ARE IN MILLIMETERS INTERPRET PER ISO STANDARDS HANDBOOK TECHNICAL DRAWINGS VOLUMES 1 & 2, THIRD EDITION (2002)	NAME	DATE	TITLE							
	CE ZHW	04/03/2018	PRODUCT DRAWING							
	RW HZ1014	05/25/2018								
	RV HH1023	05/25/2018								
	AD LY1021	05/25/2018								
	RE									
ECN 8000027678-O			SCALE	DOCUMENT NO.						
			1:4	RZVV-65A-R4-L						
SIZE	WORK AREA	23	MODEL			DRAWING				SHEET 1 OF 1
A2	⊕	◁	VERSION	STATUS	REVISION	VERSION	STATUS	REVISION		
			00	RE	A	00	AD	A		

DENSITY	g/mm ³
MASS	grams
VOLUME	mm ³
SURFACE AREA	mm ²
HEIGHT	
LENGTH	
WIDTH	

© 2018 CommScope, Inc.