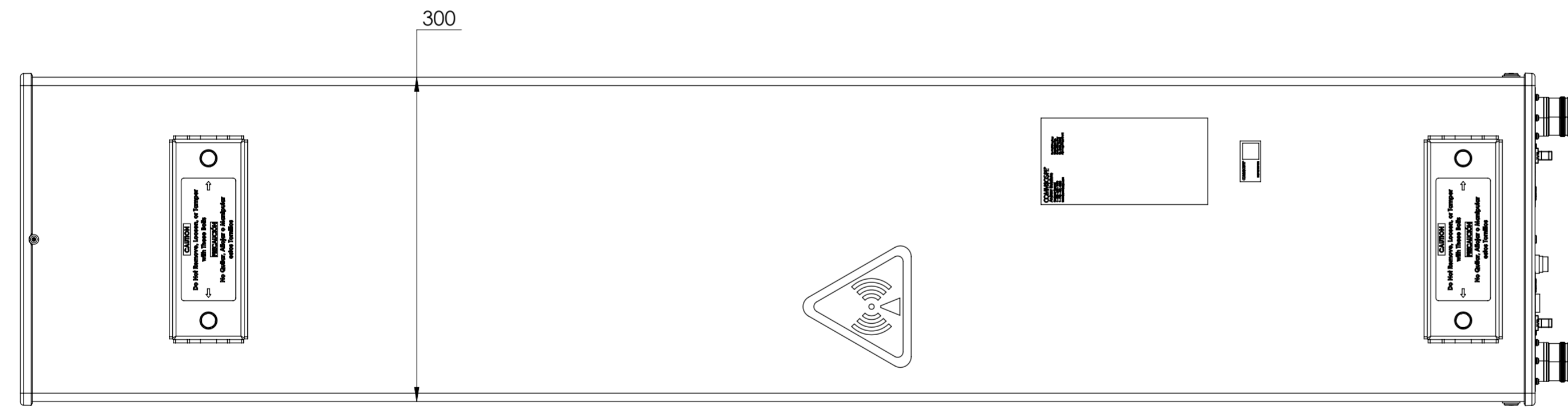
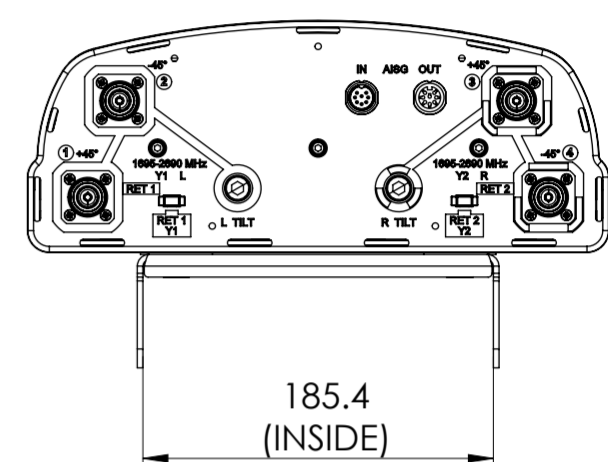
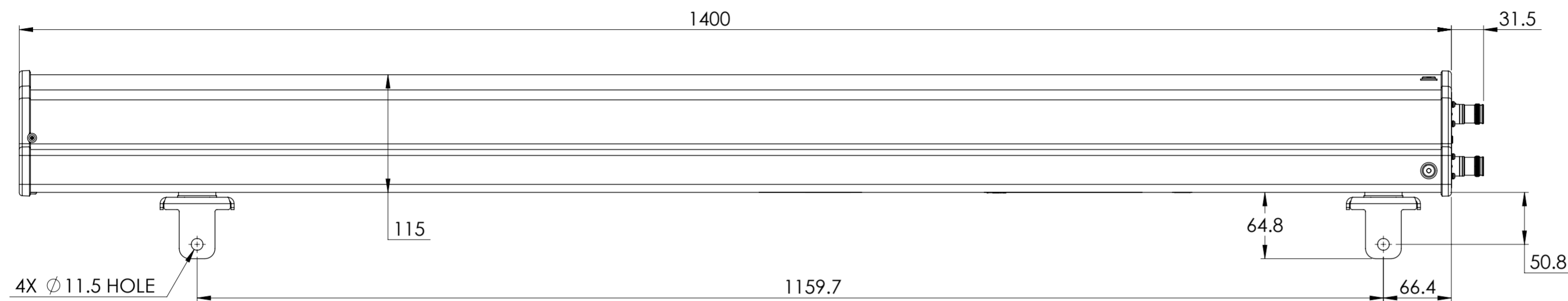


REVISIONS			
REV.	DESCRIPTION	DATE	APPROVED
A	ECR 8000031411: REL TO PRODUCTION PER EAO 605740.	01DEC18 RY	KEL/REX
B	ECR 8000031411: UPDATE DRAWING WITH LATEST MODEL.	22DEC18 RY	KEL/REX
C	ECR 8000034728: UPDATE DRAWING WITH LATEST MODEL.	03APR19 ZW	KEL/REX



VV-65A-R2

**COMMSCOPE, INC. OF NORTH CAROLINA**

TOLERANCES		SAP MATERIAL MASTER	
0 PLACE	X ±	2 PLACE	.XX ±
1 PLACE	.X ±	ANGLES	±
FINISH		MATERIAL	

UNLESS OTHERWISE SPECIFIED DIMENSIONS ARE IN MILLIMETERS INTERPRET PER ISO STANDARDS HANDBOOK TECHNICAL DRAWINGS VOLUMES 1 & 2, THIRD EDITION (2002)	NAME	DATE	TITLE
	CE RY1017	12/01/2018	<b>PRODUCT DRAWING</b>
	RW WZ1012	04/03/2019	
	RV WW1027	04/04/2019	
	AD YHUAN	04/04/2019	
RE ZHHCHEN	04/04/2019		
ECN 8000034728-O			SCALE: <b>1:4</b>
DOCUMENT NO. <b>VV-65A-R2-L</b>			

DENSITY	g/mm <sup>3</sup>		
MASS	grams		
VOLUME	mm <sup>3</sup>		
SURFACE AREA	mm <sup>2</sup>		
HEIGHT		SIZE	WORK AREA 23
LENGTH		MODEL	
WIDTH		VERSION	STATUS
		<b>A2</b>	RE
			REVISION
			C
			VERSION
			02
			STATUS
			RE
			REVISION
			C
			DRAWING
			VERSION
			02
			STATUS
			RE
			REVISION
			C
			SHEET
			1 OF 1