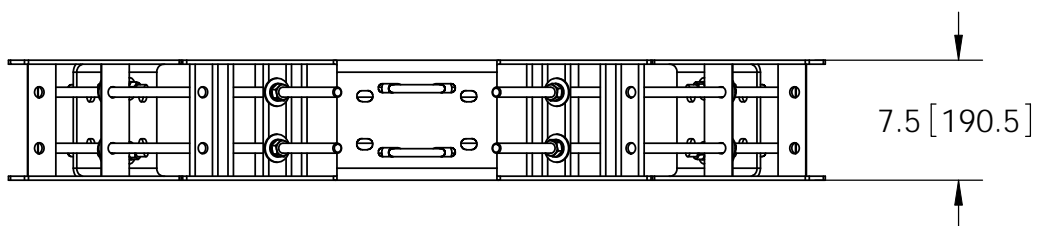
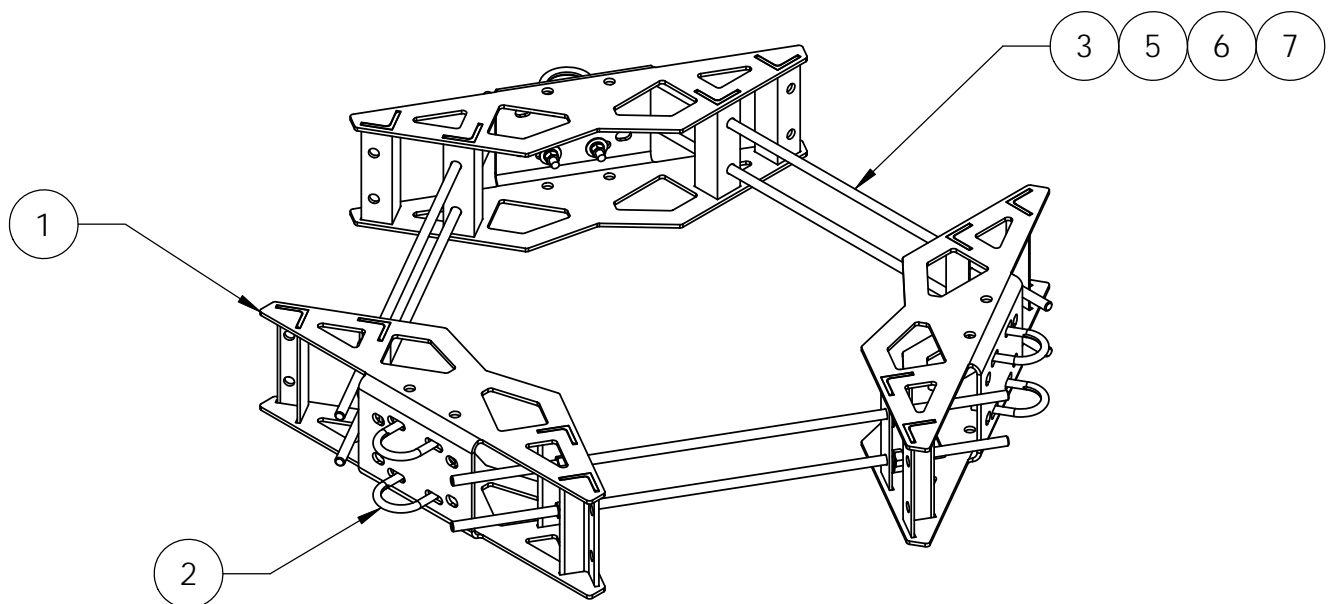
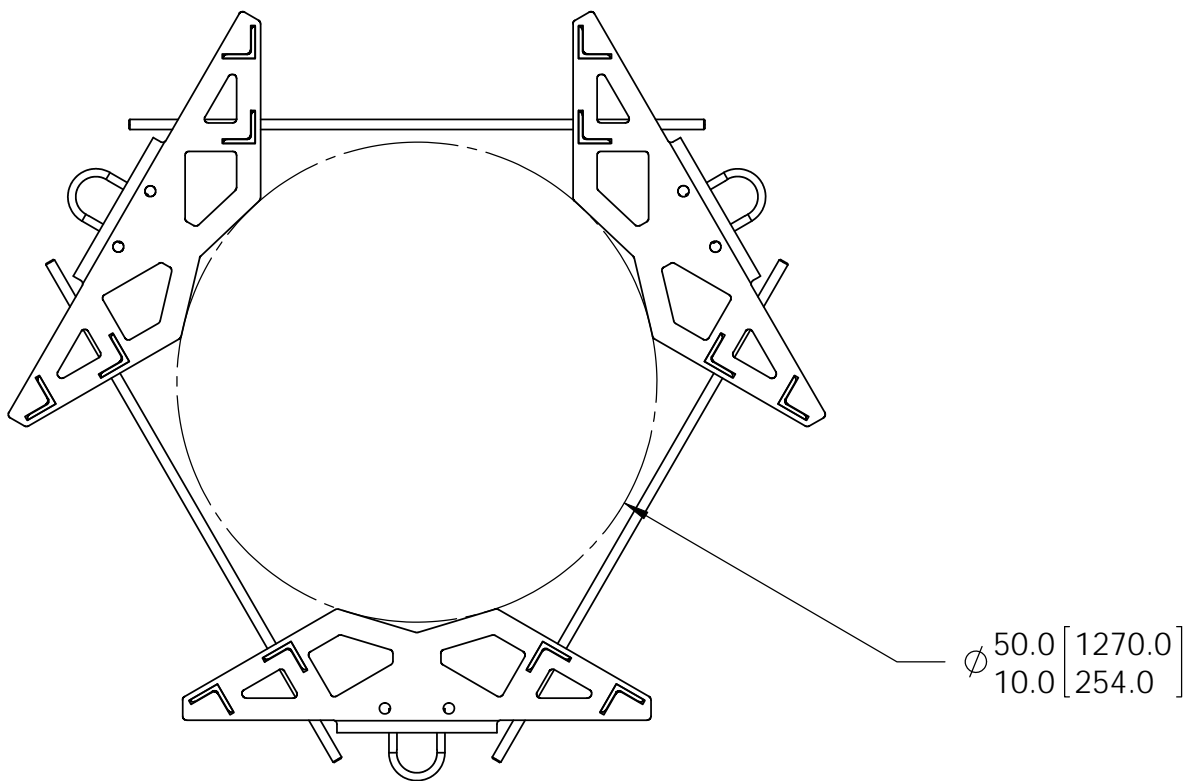


ITEM	PART NO.	DESCRIPTION	QTY.	WEIGHT
1	MTC328601	10-50 RRU Mount Weldment	3	27.77 LBS
2	GUB-4240	1/2" X 2-1/2" X 4" GALV U-BOLT	6	0.56 LBS
3	MT-382-24	5/8" X 24" GALV THREADED ROD	6	2.07 LBS
4	MT38240	5/8" X 40" GALV THREADED ROD	6	3.46 LBS
5	GWF-05	5/8" GALV FLAT WASHER	12	0.03 LBS
6	GWL-05	5/8" GALV LOCK WASHER	12	0.00 LBS
7	GN-05	5/8" GALV HEX NUT	12	0.04 LBS
8	MT-XXX	2.375" OD PIPE (SEE TABLE)	2	21.80 LBS

NOT SHOWN

REVISIONS				
REV.	ZONE	DESCRIPTION	BY	DATE
A		INITIAL RELEASE	MSM	11/21/11
B		UPDATE MTC328601	MSM	09/05/12



- NOTES:
- ALL METRIC DIMENSIONS ARE IN BRACKETS.
 - USE OUTER ANGLES AND 40" ROD FOR POLES 30"-50".

These drawings and specifications are the proprietary property of CommScope Inc. and may be used only for the specific purpose authorized in writing by CommScope Inc. ALL DIMENSIONS ARE IN INCHES U.O.S. TOLERANCES UNLESS OTHERWISE SPECIFIED: .X = ± .12 ANGLES ±2° .XX = ± .06 FRACTIONS ±1/32 .XXX = ± .03 REMOVE BURRS AND BREAK EDGES .005 DO NOT SCALE THIS PRINT	DRAWN BY: MSM	SHEET: 1 of 1	PART NUMBER: MC-RR1050-3
	CHECKED BY: TP	SCALE: NTS	DESCRIPTION: 10" - 50" RRU Monopole Mount
	DATE: 11/21/11	MATERIAL: A36	DRAWING TYPE: ASSEMBLY DRAWING
	REVISION: B	FINISH: GALV A123	WEIGHT: 115.31 LBS