

4

3

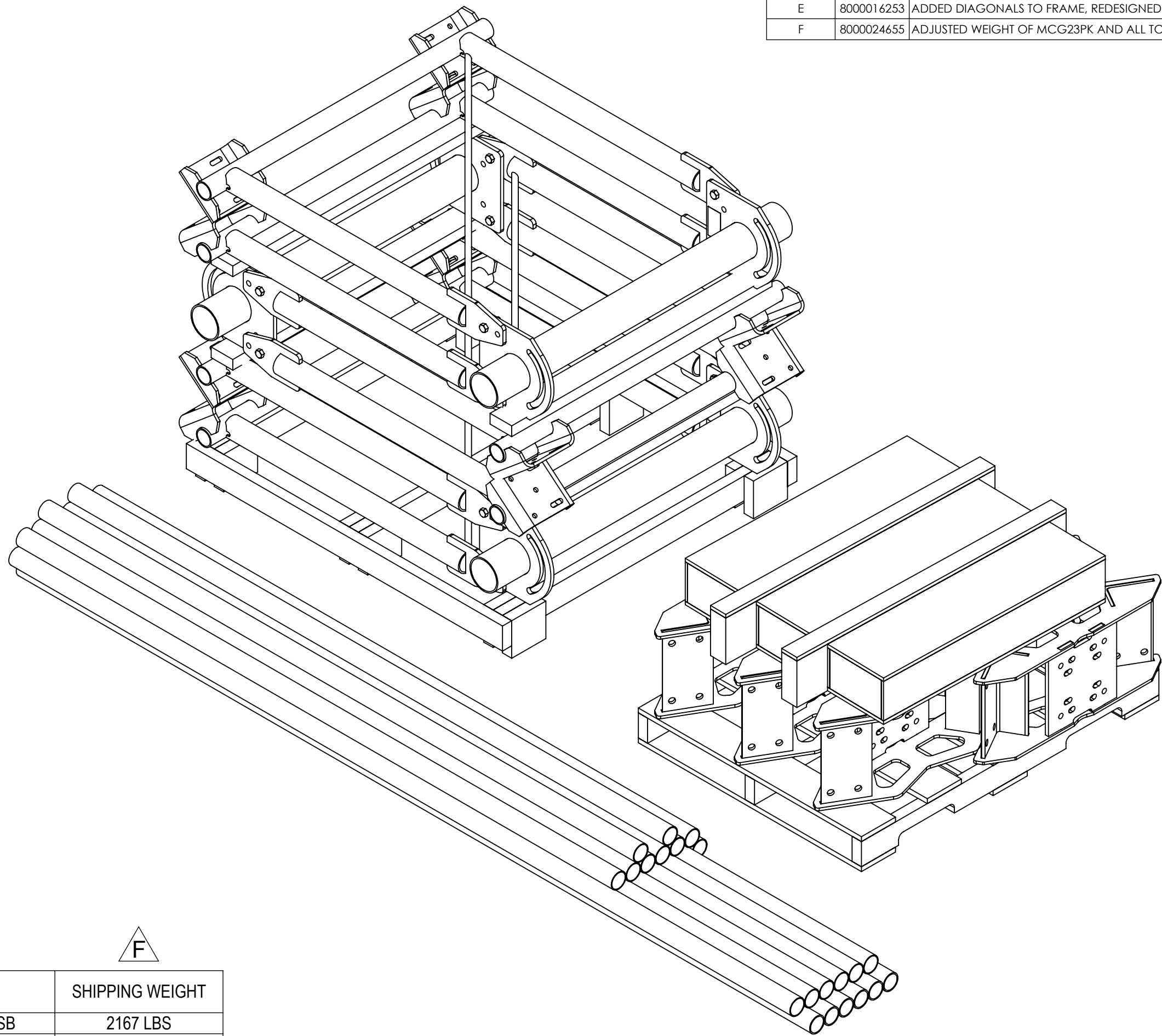
2

1

NOTES:

1. SEE SHEETS 6 AND 7 FOR INSTALLATION INSTRUCTIONS.

REVISIONS				
REV.	ECN	DESCRIPTION	BY	DATE
A	800008462	INITIAL RELEASE	RJC	06/02/15
B	8000011978	REDESIGN OF SECTOR FRAME ARM WELDMENT	DRR	01/12/16
C	8000013468	ADDED A SECOND TIE BACK TO ARM	RJC	4/13/2016
D	8000015327	ADDED SHTS 6 & 7 TO GIVE INSTALL INSTRUCTIONS	RJC	7/27/2016
E	8000016253	ADDED DIAGONALS TO FRAME, REDESIGNED HDW KIT	DRR	1/13/17
F	8000024655	ADJUSTED WEIGHT OF MCG23PK AND ALL TOTALS	DRR	07/10/17



MCG23 SERIES TABLE

F

KIT PART NUMBER	DESCRIPTION	PIPE BUNDLE	SHIPPING WEIGHT
MCG23-10M-12-126	COLO SECTOR FRAME 10'-6" FACE, (12) 126" ANTENNA PIPE	MCG2310M12126SB	2167 LBS
MCG23-10M-12-96	COLO SECTOR FRAME 10'-6" FACE, (12) 96" ANTENNA PIPE	MCG2310M1296SB	2077 LBS
MCG23-10M-9-126	COLO SECTOR FRAME 10'-6" FACE, (9) 126" ANTENNA PIPE	MCG2310M9126SB	2050 LBS
MCG23-10M-9-96	COLO SECTOR FRAME 10'-6" FACE, (9) 96" ANTENNA PIPE	MCG2310M996SB	2014 LBS
MCG23-10M-B	COLO SECTOR FRAME 10'-6" FACE, NO ANTENNA PIPE	MCG2310MBSB	1800 LBS
MCG23-12M-12-126	COLO SECTOR FRAME 12'-6" FACE, (12) 126" ANTENNA PIPE	MCG2312M12126SB	2210 LBS
MCG23-12M-12-96	COLO SECTOR FRAME 12'-6" FACE, (12) 96" ANTENNA PIPE	MCG2312M1296SB	2121 LBS
MCG23-12M-9-126	COLO SECTOR FRAME 12'-6" FACE, (9) 126" ANTENNA PIPE	MCG2312M9126SB	2094 LBS
MCG23-12M-9-96	COLO SECTOR FRAME 12'-6" FACE, (9) 96" ANTENNA PIPE	MCG2312M996SB	2058 LBS
MCG23-12M-B	COLO SECTOR FRAME 12'-6" FACE, NO ANTENNA PIPE	MCG2312MBSB	1844 LBS
MCG23-14M-12-126	COLO SECTOR FRAME 14'-6" FACE, (12) 126" ANTENNA PIPE	MCG2314M12126SB	2254 LBS
MCG23-14M-12-96	COLO SECTOR FRAME 14'-6" FACE, (12) 96" ANTENNA PIPE	MCG2314M1296SB	2164 LBS
MCG23-14M-9-126	COLO SECTOR FRAME 14'-6" FACE, (9) 126" ANTENNA PIPE	MCG2314M9126SB	2137 LBS
MCG23-14M-9-96	COLO SECTOR FRAME 14'-6" FACE, (9) 96" ANTENNA PIPE	MCG2314M996SB	2102 LBS
MCG23-14M-B	COLO SECTOR FRAME 14'-6" FACE, NO ANTENNA PIPE	MCG2314MBSB	1888 LBS

PATENT PENDING

COMMSCOPE, INC. OF NORTH CAROLINA

TOLERANCES		SAP MATERIAL MASTER		
0 PLACE X ± .25	2 PLACE .XX ± .06	MCG23 SERIES		
1 PLACE .X ± .12	ANGLES ± 2°			
FINISH		MATERIAL		
GALV A123		A36, A53, A500		
UNLESS OTHERWISE SPECIFIED DIMENSIONS ARE IN MILLIMETERS INTERPRET PER ISO STANDARDS HANDBOOK TECHNICAL DRAWINGS VOLUMES 1 & 2, THIRD EDITION (2002)	NAME	DATE	TITLE	
	CE MSM	05/08/15	MONOPOLE COLOCATION SECTOR FRAME	
	RW			
	RV		SCALE	DOCUMENT NO.
	AD		1:32	MCG23 SERIES
RE TP	05/08/15	ECN	8000008462	
SIZE	WORK AREA	MODEL	DRAWING	
C		VERSION	STATUS	
HEIGHT	LENGTH	REVISION	VERSION	
WIDTH		STATUS	REVISION	
			F	
			SHEET 1 OF 7	

ITEM	PART NO.	DESCRIPTION	QTY.	WEIGHT	NOTE NO.
1	MCG23PK	MCG23 FRAME PACK	1	929.02 LBS	
2	MCG23xxxxxSB	MCG23-10M-9-96 STEEL BUNDLE	1	-	
3	MCG23HK3	HARDWARE KIT, MONOPOLE 3 SECTOR	1	763.16 LBS	

F

NOTES:

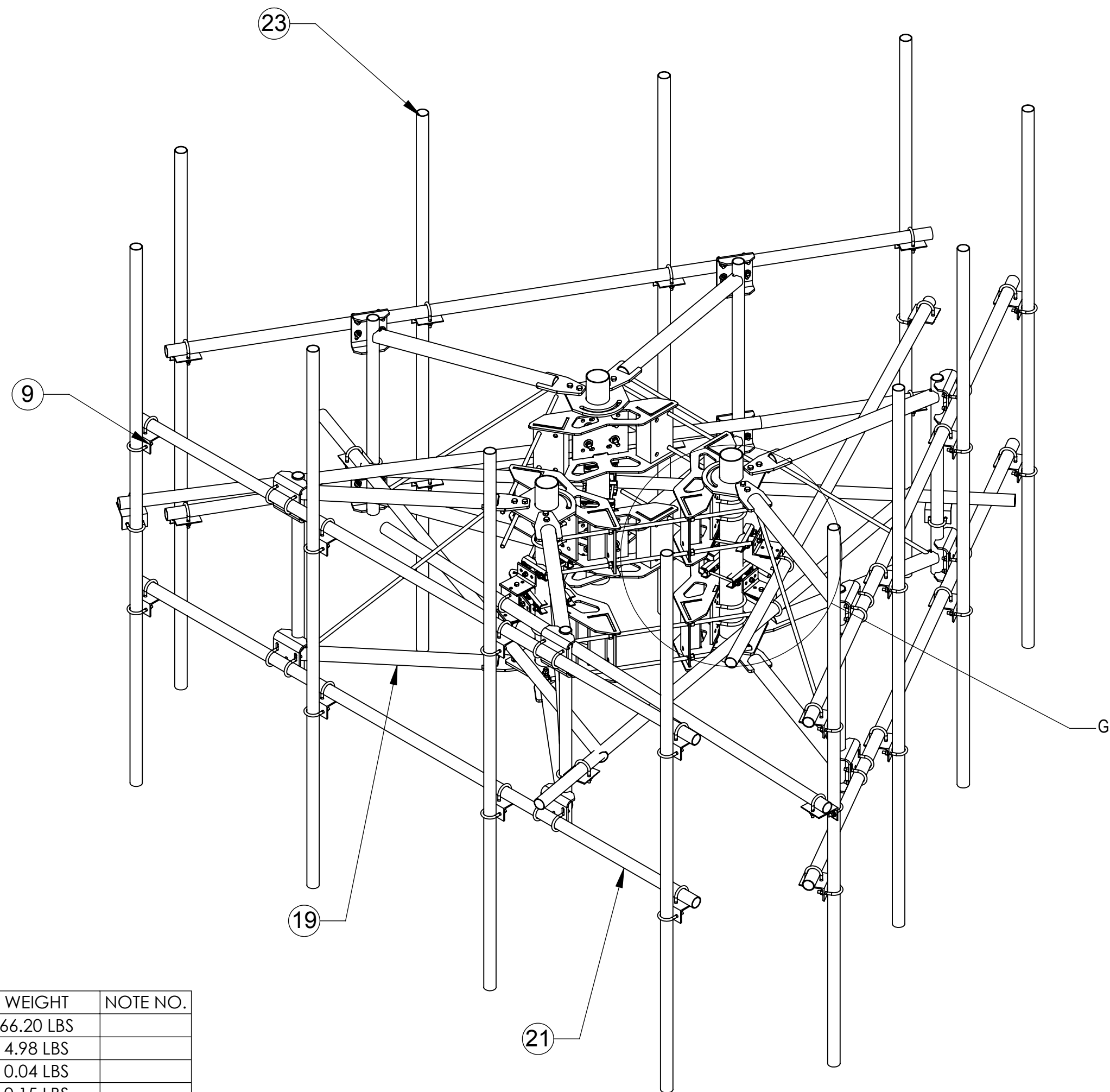
1.0 ALL METRIC DIMENSIONS ARE IN BRACKETS.

DIAGONALS MUST BE INSTALLED AS SHOWN

TABLE 1



KIT PART NUMBER	ITEM #13 - FACE PIPE	ITEM #12 - VERTICAL PIPE	ITEM #12 QTY	WEIGHT
MCG23-10M-12-126	SFG23126	MT-537	12	2146 LBS
MCG23-10M-12-96	SFG23126	MT-651-96	12	2056 LBS
MCG23-10M-9-126	SFG23126	MT-537	9	2029 LBS
MCG23-10M-9-96	SFG23126	MT-651-96	9	1993 LBS
MCG23-10M-B	SFG23126	-	-	1779 LBS
MCG23-12M-12-126	SFG23150	MT-537	12	2189 LBS
MCG23-12M-12-96	SFG23150	MT-651-96	12	2100 LBS
MCG23-12M-9-126	SFG23150	MT-537	9	2073 LBS
MCG23-12M-9-96	SFG23150	MT-651-96	9	2037 LBS
MCG23-12M-B	SFG23150	-	-	1823 LBS
MCG23-14M-12-126	SFG23174	MT-537	12	2233 LBS
MCG23-14M-12-96	SFG23174	MT-651-96	12	2143 LBS
MCG23-14M-9-126	SFG23174	MT-537	9	2116 LBS
MCG23-14M-9-96	SFG23174	MT-651-96	9	2081 LBS
MCG23-14M-B	SFG23174	-	-	1867 LBS



ITEM	PART NO.	DESCRIPTION	QTY.	WEIGHT	NOTE NO.
1	RM1550301	15"-50" 3 SECTOR RM WLDMNT	6	66.20 LBS	
2	MT38440	3/4" X 40" GALV THREADED ROD GRADE B7	12	4.98 LBS	
3	GWL-06	3/4" GALV LOCK WASHER	24	0.04 LBS	
4	GN-06	3/4" GALV HEX NUT	24	0.15 LBS	
5	SFG2302	ARM MOUNT WELDMENT	3	59.80 LBS	
6	GB-0520A	5/8" X 2" GALV BOLT KIT (A325)	24	0.26 LBS	
7	GUB-5456	5/8" X 4-5/8" X 6 1/2" GALV U-BOLT	12	1.42 LBS	
8	GUB-4240	1/2" X 2-1/2" X 4" GALV U-BOLT	90	0.56 LBS	
9	XA2020.01	CROSS OVER ANGLE	42	2.65 LBS	
10	OS15034	3/4" X 1-1/2" OFFSET COLLAR	6	0.14 LBS	
11	SAB01	FORMED CLAMP	12	1.35 LBS	
12	MT-379-8	1/2" X 8" GALV THREADED ROD	12	0.44 LBS	
13	GWL-04	1/2" GALV LOCK WASHER	24	0.01 LBS	
14	GN-04	1/2" GALV HEX NUT	24	0.04 LBS	
15	GWF-04	1/2" GALV FLAT WASHER	24	0.03 LBS	
23	MT-537	Ø 2.375" OD x 126" PIPE	6	30.25 LBS	
17	GB-0414A	1/2" X 1-1/2" GALV BOLT KIT (A325)	6	0.13 LBS	
18	GB-0426A	1/2" X 2-3/4" GALV BOLT KIT (A325)	6	0.20 LBS	
19	SFG2367L	SECTOR FRAME ARM LEFT WELDMENT	3	81.38 LBS	
20	SFG2367R	SECTOR FRAME ARM RIGHT WELDMENT	3	81.38 LBS	
21	FACE PIPE SEE TABLE 1	Ø 2.375"OD PIPE (SEE TABLE)	6	46.02 LBS	
22	VERTICAL PIPE SEE TABLE 1	Ø 2.375" OD PIPE	SEE TABLE 1	-	

PATENT PENDING

COMMScope, INC. OF NORTH CAROLINA

TITLE
MONOPOLE COLOCATION SECTOR FRAME

SIZE **C** SCALE **1:20** DOCUMENT NO. **MCG23 SERIES**

DRAWING			SHEET 2 OF 7
VERSION	STATUS	REVISION	
		F	

4

3

2

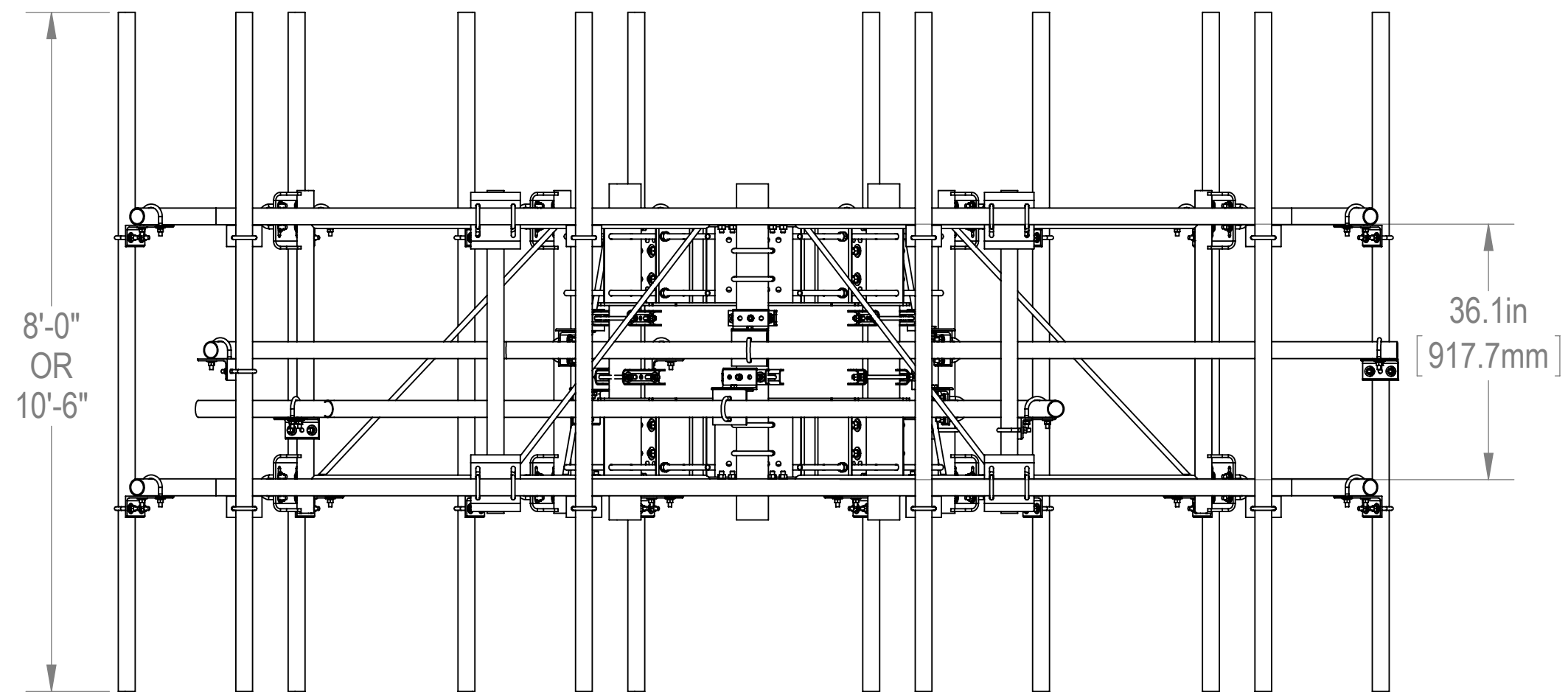
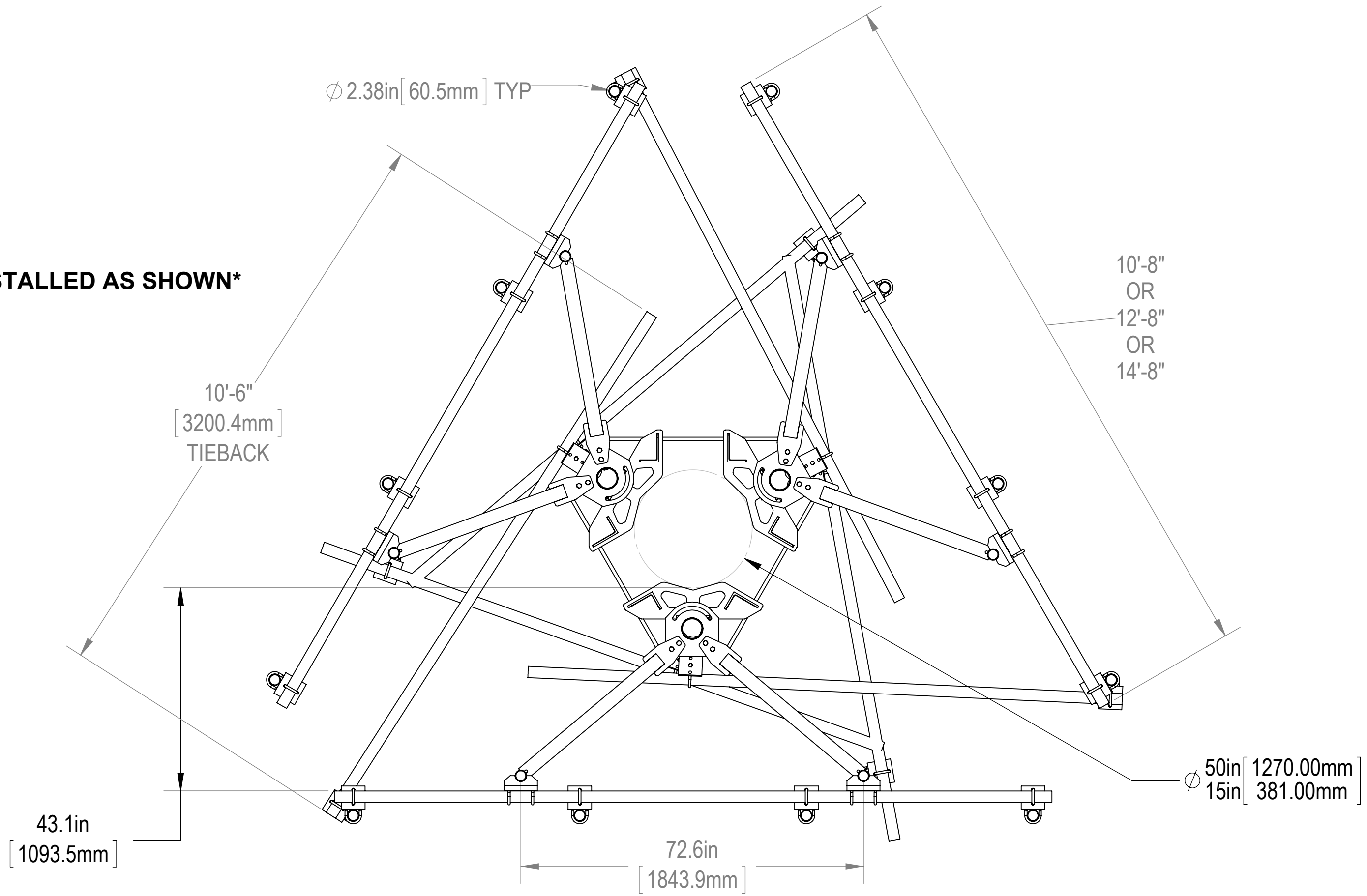
1

NOTES:

TIP SEPERATION CHART

FACE PIPE LENGTH	RINGMOUNT OD	TIP SEPERATION
10'	15"	22.93"
10'	50"	54.44"
12'	15"	10.93"
12'	50"	42.44"
14'	15"	0.5"
14'	50"	30.5"

DIAGONALS MUST BE INSTALLED AS SHOWN



PATENT PENDING

COMMSCOPE, INC. OF NORTH CAROLINA

TITLE
MONOPOLE COLOCATION SECTOR FRAME

SIZE C	SCALE 1:20	DOCUMENT NO. MCG23 SERIES		
DRAWING		VERSION	STATUS	REVISION
				F
				SHEET 3 OF 7

© 2015 CommScope, Inc. Confidential

4

3

2

1

D

D

C

C

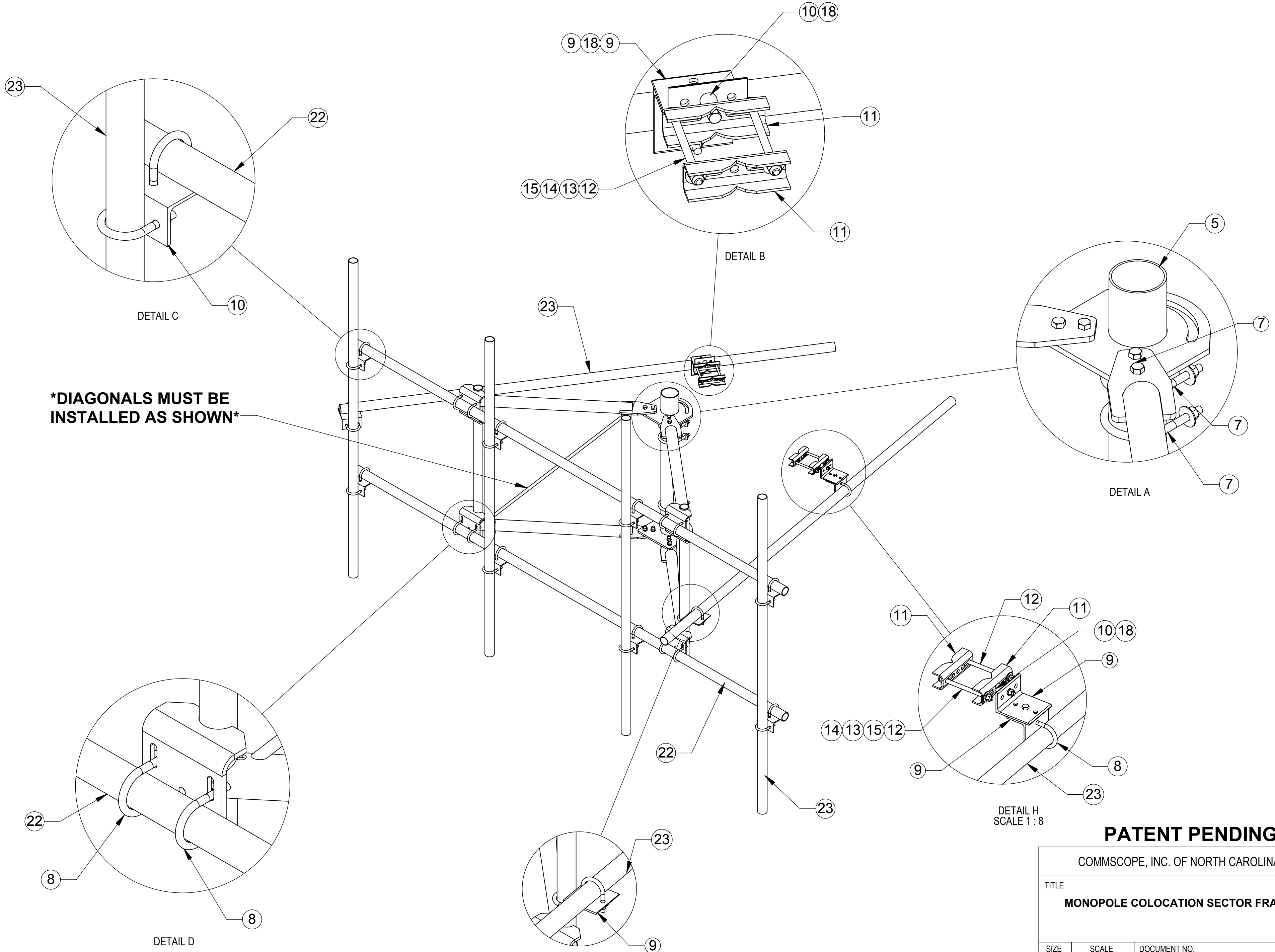
B

B

A

A

NOTES:



DIAGONALS MUST BE INSTALLED AS SHOWN

PATENT PENDING

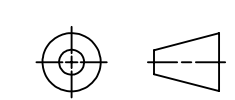
COMMSCOPE, INC. OF NORTH CAROLINA

TITLE
MONOPOLE COLOCATION SECTOR FRAME

SIZE C	SCALE 1:16	DOCUMENT NO. MCG23 SERIES
------------------	----------------------	-------------------------------------

DRAWING		SHEET 4 OF 7
VERSION	REVISION F	

© 2015 CommScope, Inc. Confidential



DETAIL J
SCALE 1:8

DETAIL H
SCALE 1:8

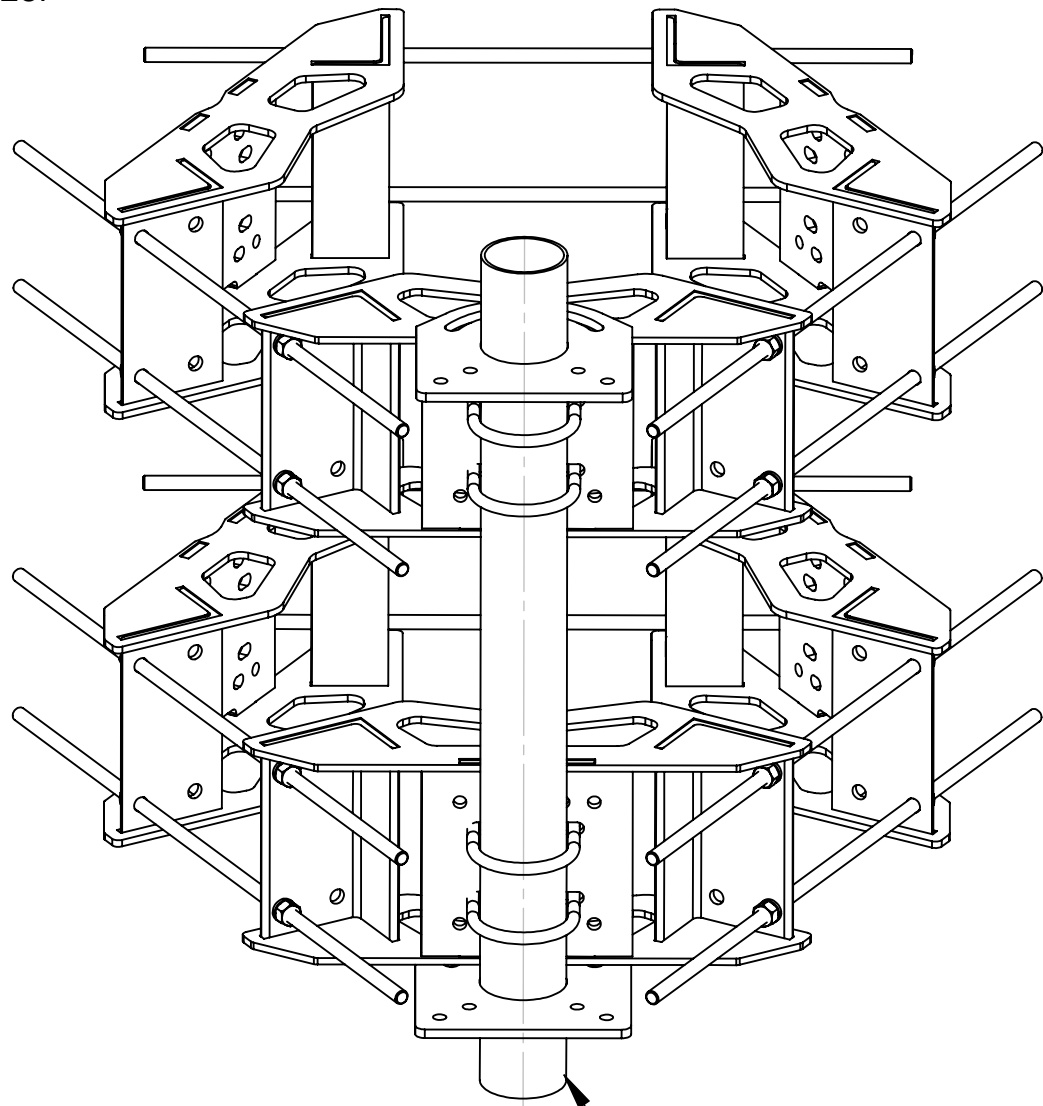
DETAIL D

DETAIL B

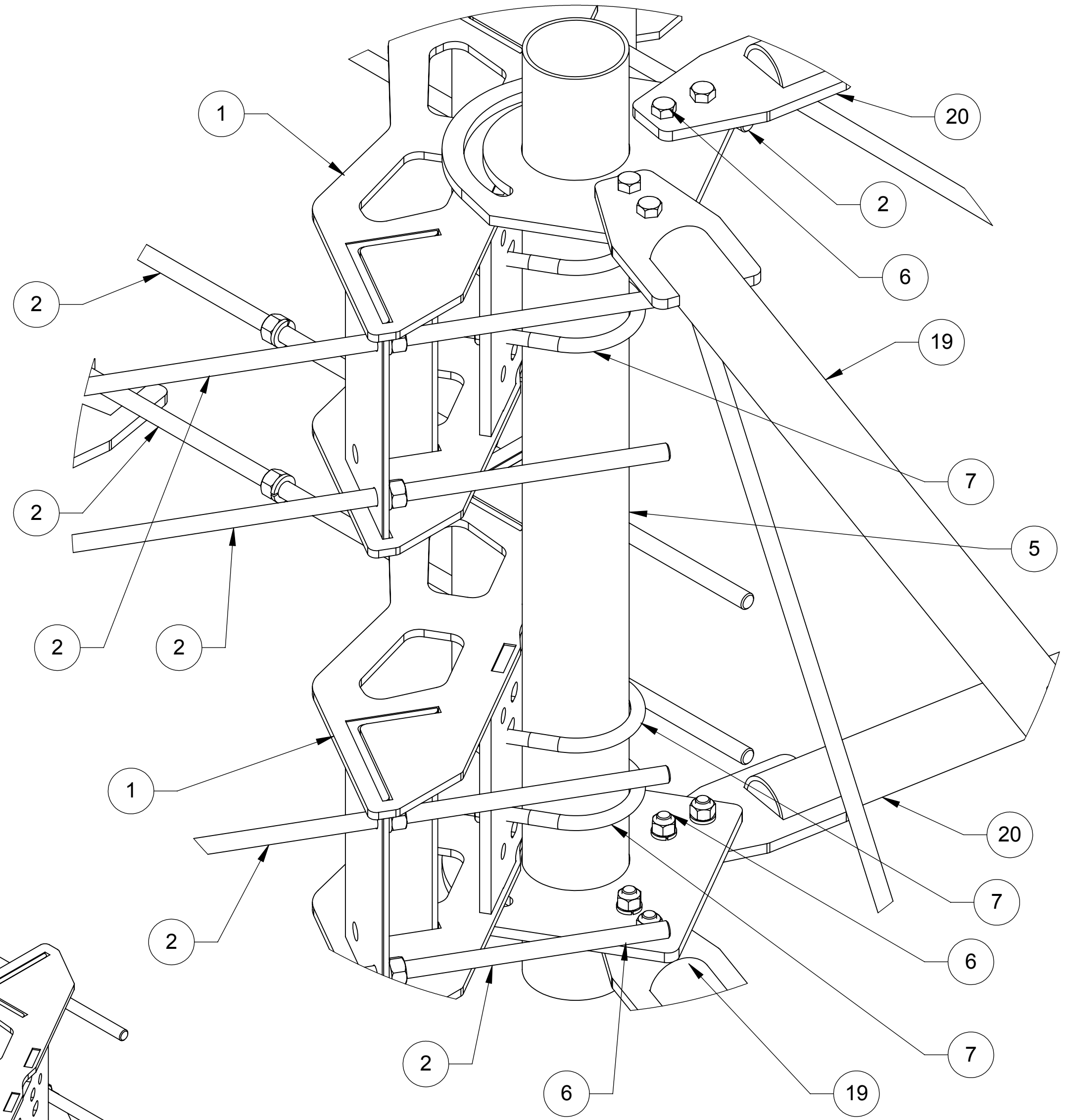
DETAIL A

DETAIL C

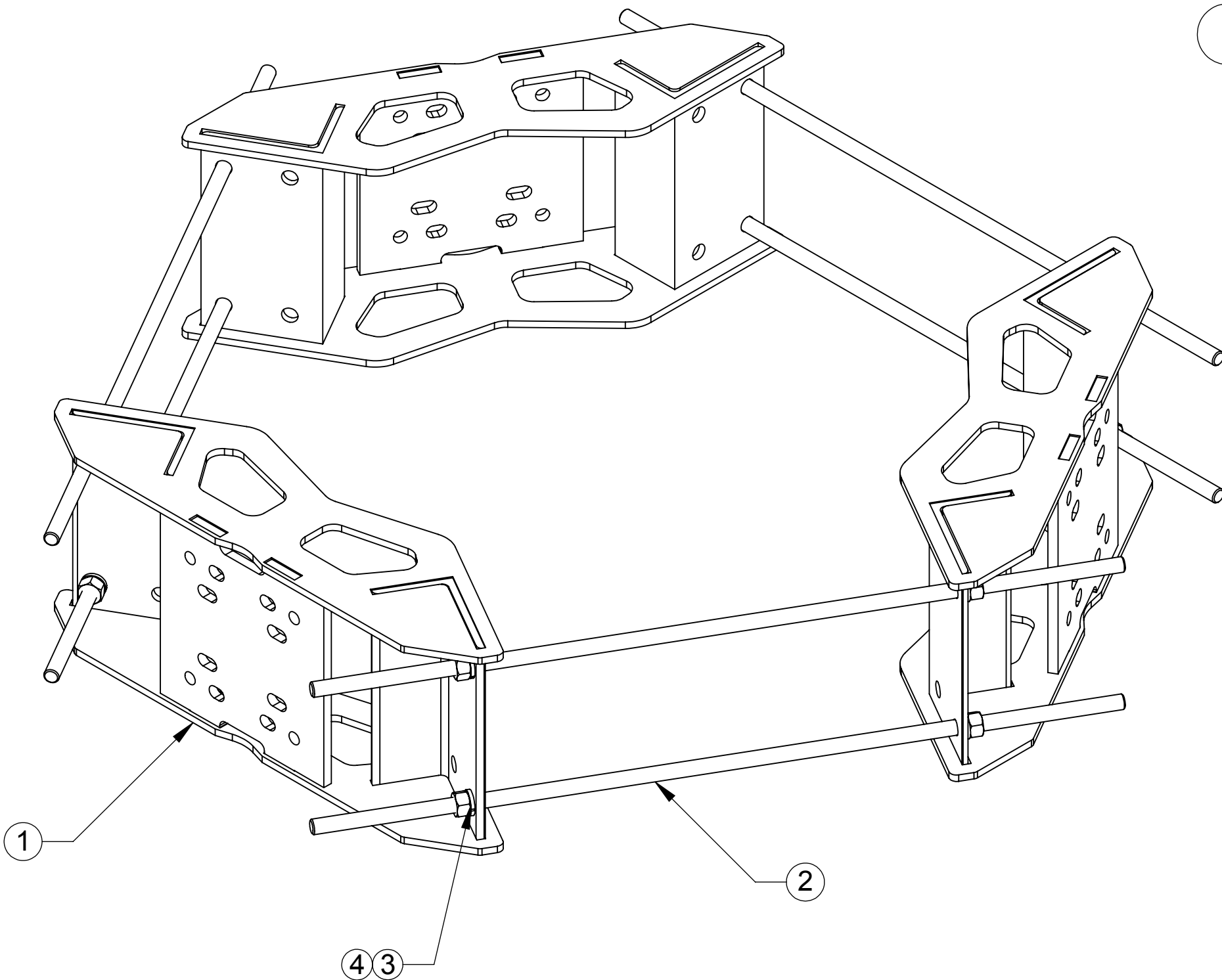
NOTES:



RINGMOUNT SECTOR CENTERLINE
MUST VERTICALLY ALIGN TO ALLOW
SECTOR FRAME SPLINE PROPER MOUNTING



DETAIL G
SCALE 1:4



PATENT PENDING

COMMSCOPE, INC. OF NORTH CAROLINA

TITLE
MONOPOLE COLOCATION SECTOR FRAME

SIZE C	SCALE 1:6	DOCUMENT NO. MCG23 SERIES
------------------	---------------------	-------------------------------------

DRAWING			SHEET 5 OF 7
VERSION	STATUS	REVISION	
		F	

© 2015 CommScope, Inc. Confidential

4

3

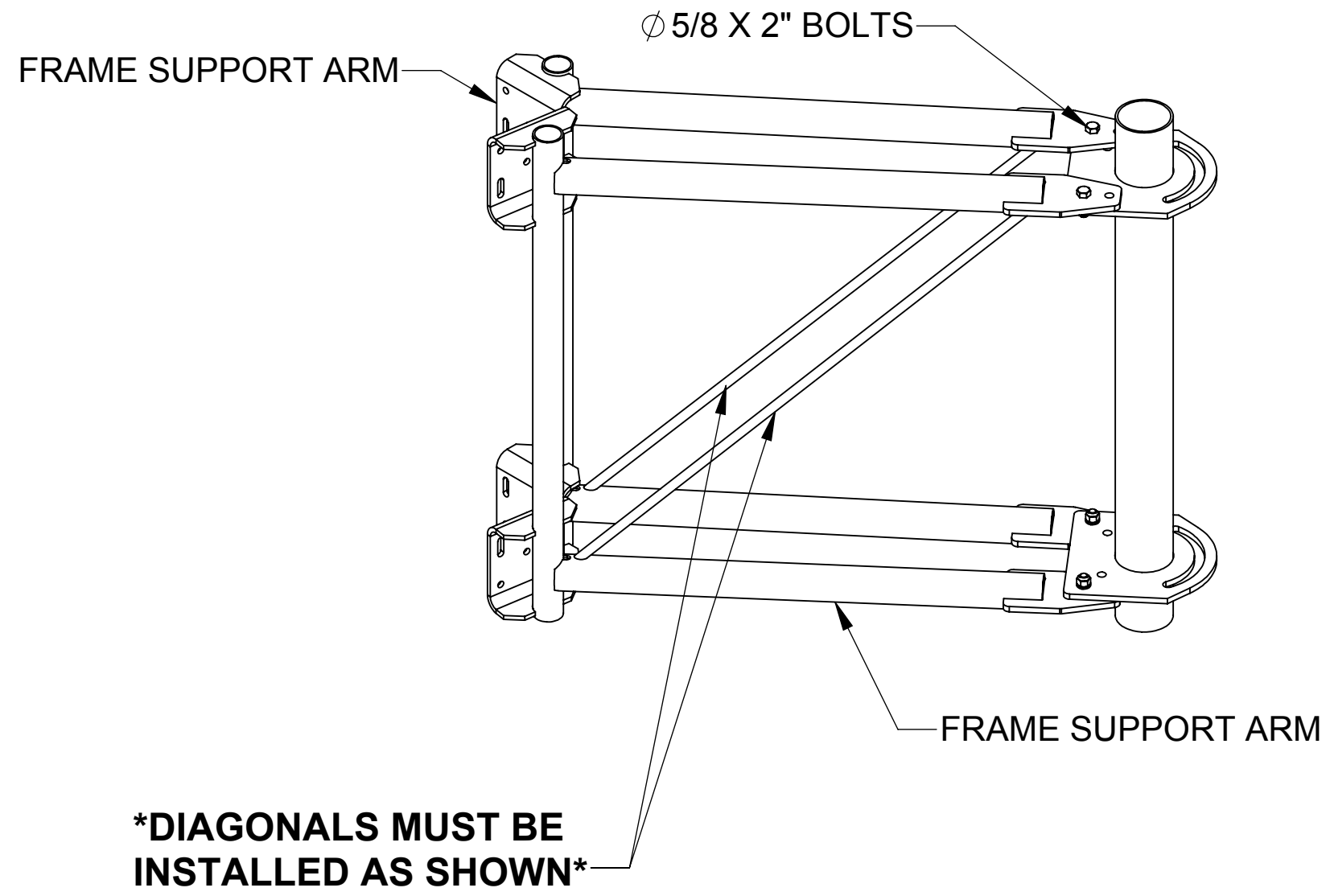
2

1

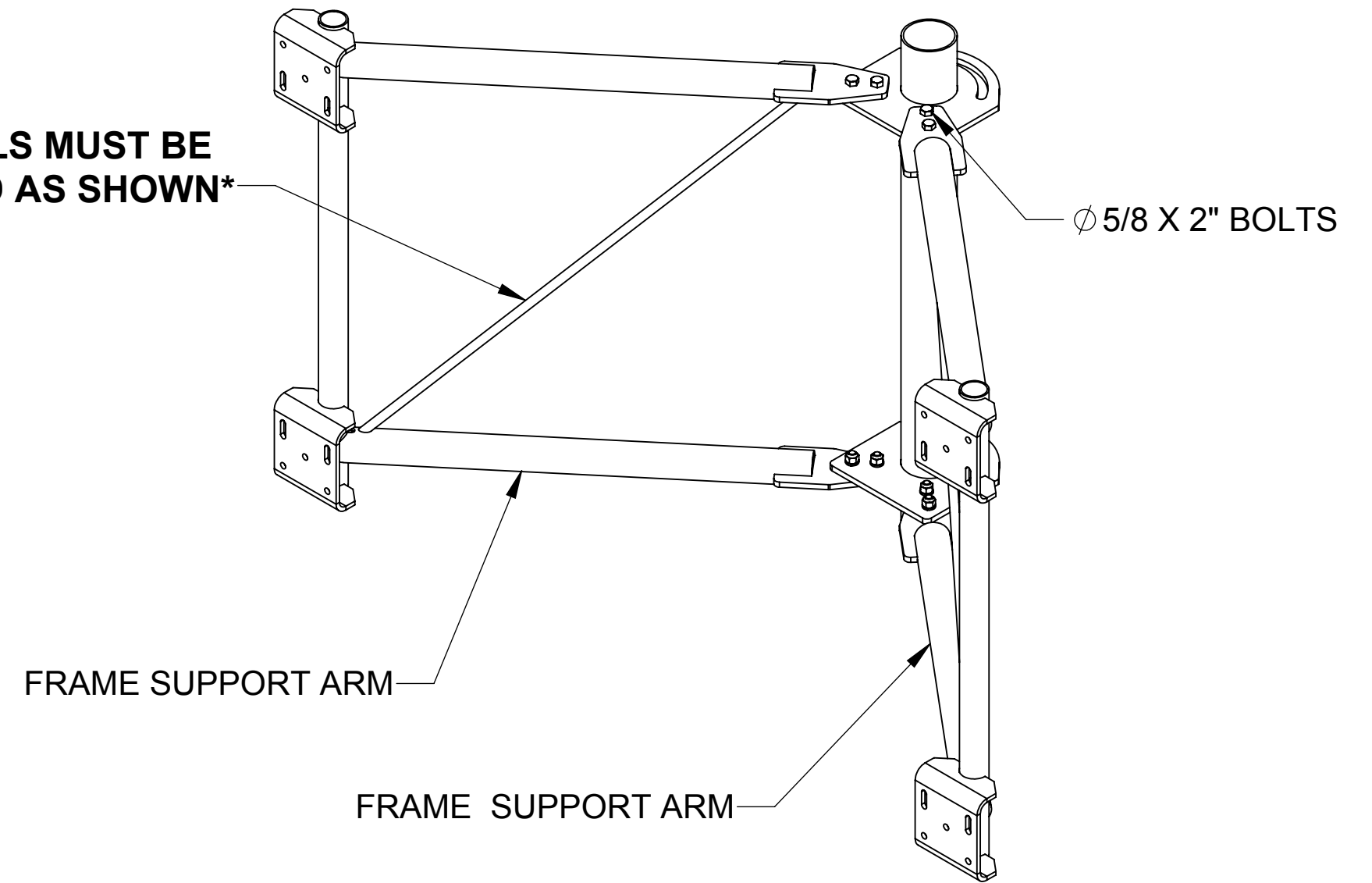
NOTES: **STEP 1: LOOSEN ϕ 5/8 HARDWARE TO OPEN FRAME SUPPORT ARMS.**

STEP 2: OPEN FRAME SUPPORT ARMS AND INSTALL (4) ϕ 5/8 X 2" BOLTS.

*** DO NOT TIGHTEN ϕ 5/8" BOLTS AT THIS TIME.***



DIAGONALS MUST BE INSTALLED AS SHOWN

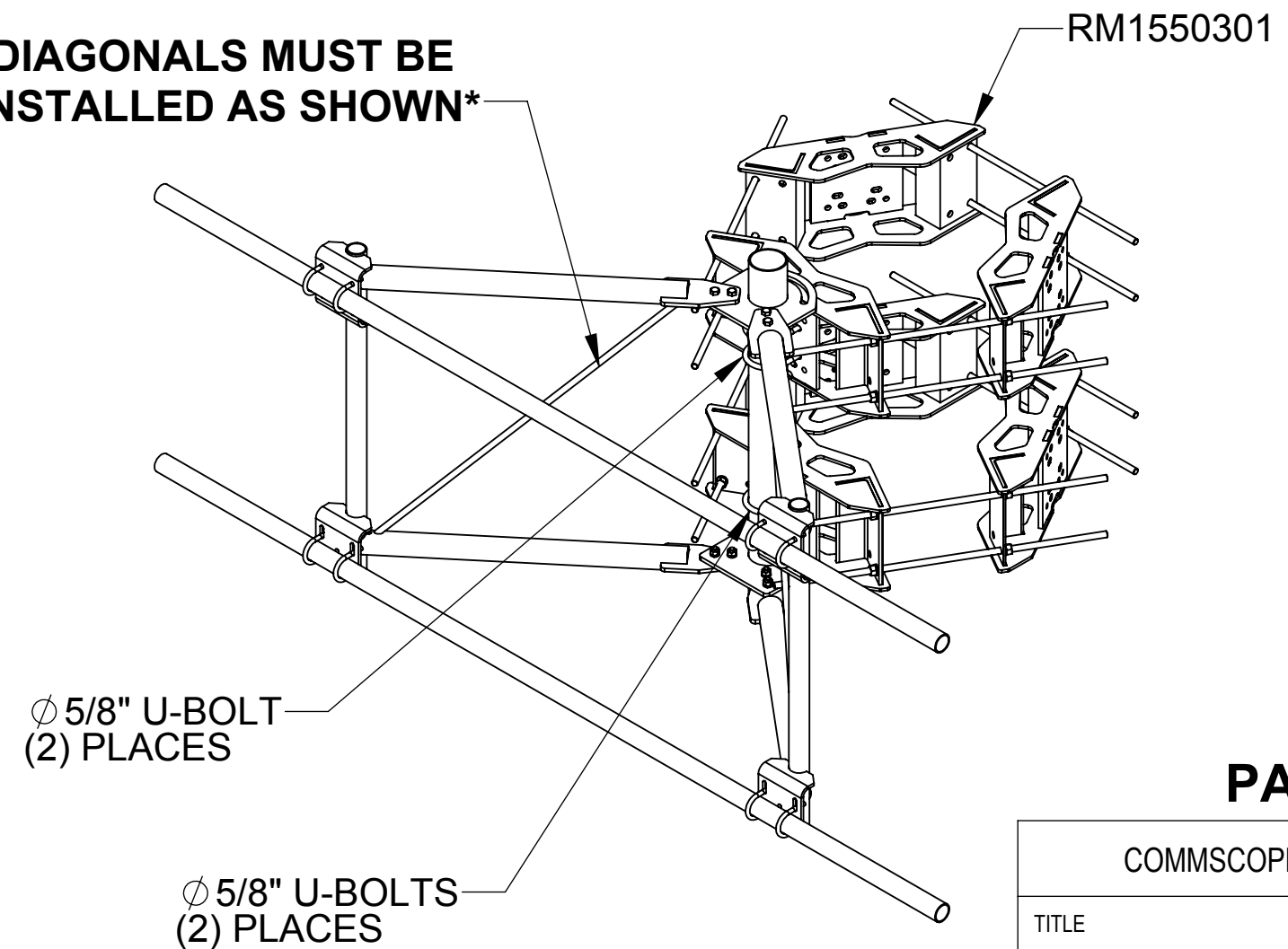
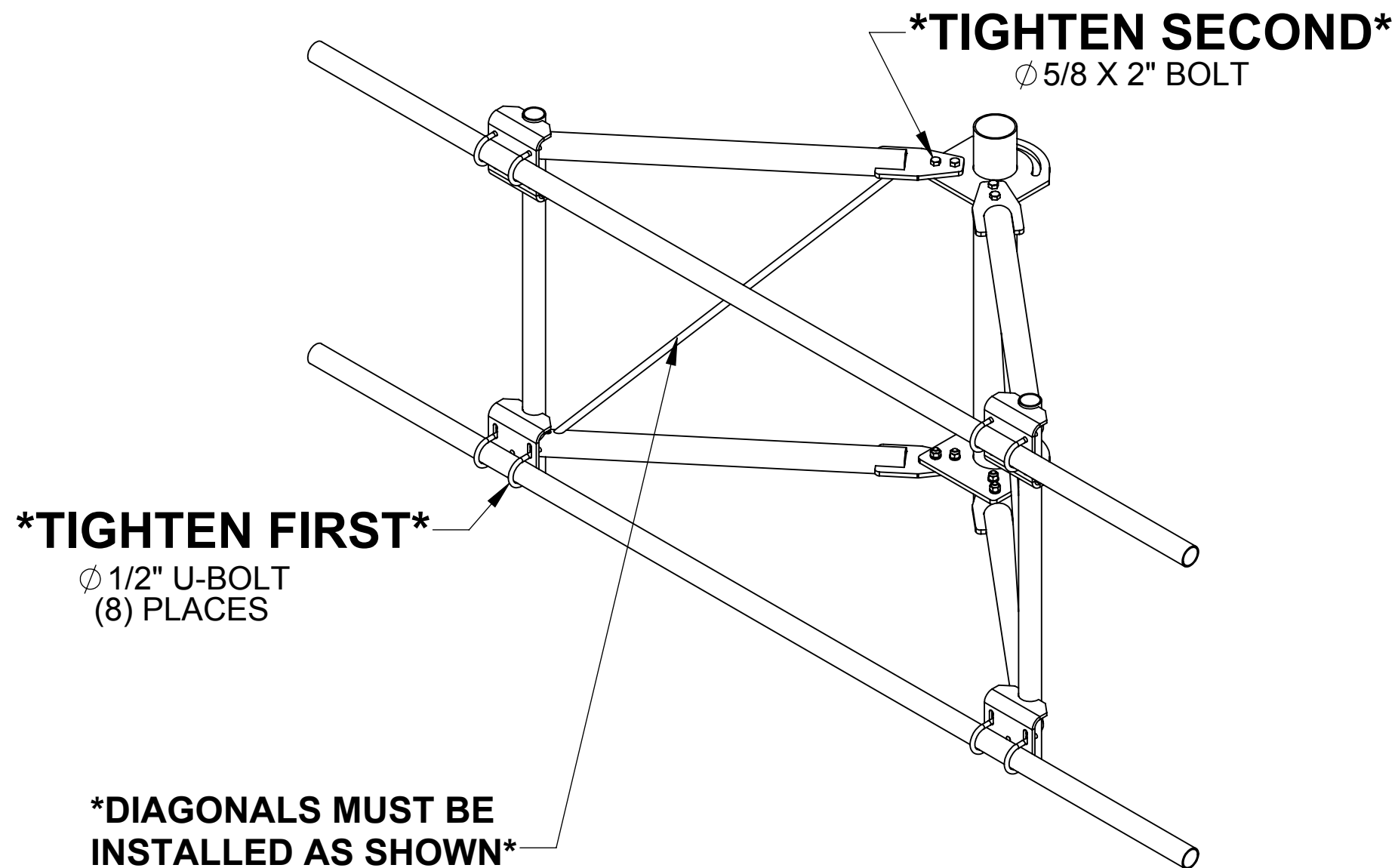


STEP 3: INSTALL FACE PIPES AND ϕ 1/2" U-BOLTS

STEP 4: ASSEMBLE TO RING MOUNT

TIGHTEN U-BOLTS FIRST AND ϕ 5/8" BOLTS SECOND

DIAGONALS MUST BE INSTALLED AS SHOWN



PATENT PENDING

COMMSCOPE, INC. OF NORTH CAROLINA

TITLE
MONOPOLE COLOCATION SECTOR FRAME

SIZE C	SCALE 1:6	DOCUMENT NO. MCG23 SERIES
------------------	---------------------	-------------------------------------

DRAWING		SHEET 6 OF 7
VERSION	REVISION F	

4

3

2

1

4

3

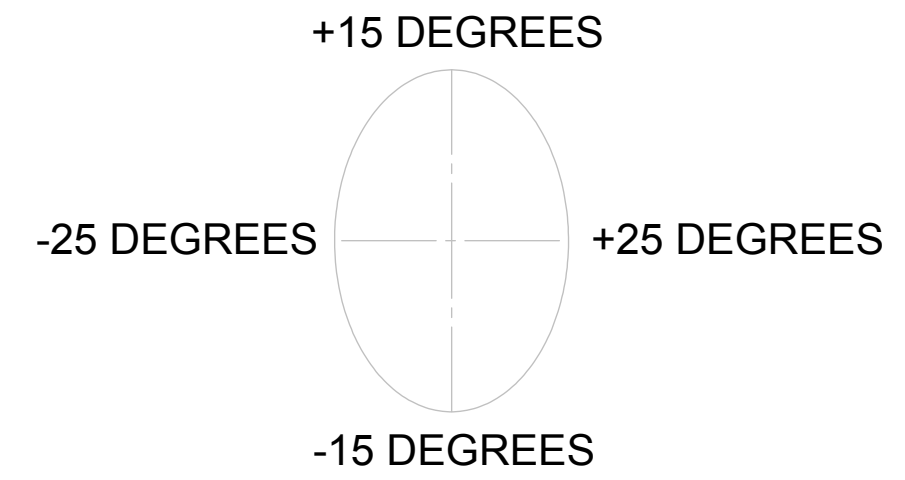
2

1

NOTES:

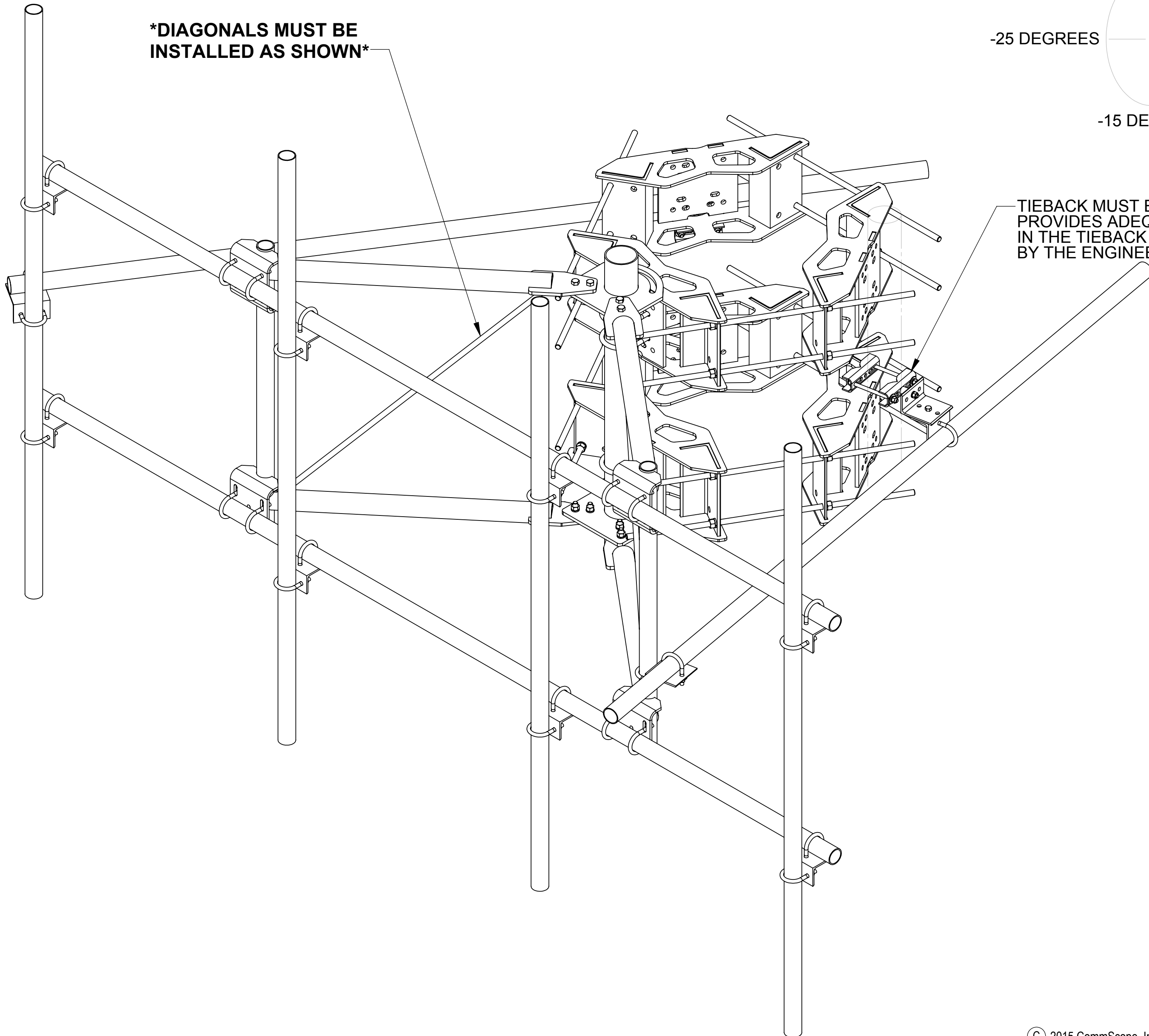
TIEBACK ANGLE RANGE DETAIL

- ± 15 DEGREES VERTICAL
- ± 25 DEGREES HORIZONTAL



DIAGONALS MUST BE INSTALLED AS SHOWN

TIEBACK MUST BE CONNECTED TO A RIGID MEMBER THAT PROVIDES ADEQUATE SUPPORT WITHIN THE LIMITS NOTED IN THE TIEBACK ANGLE RANGE DETAIL. UNLESS APPROVED BY THE ENGINEER OF RECORD.



PATENT PENDING

COMMSCOPE, INC. OF NORTH CAROLINA				
TITLE MONOPOLE COLOCATION SECTOR FRAME				
SIZE C	SCALE 1:6	DOCUMENT NO. MCG23 SERIES		
DRAWING		VERSION	STATUS	REVISION
				F
				SHEET 7 OF 7

4

3

2

1

D

D

C

C

B

B

A

A