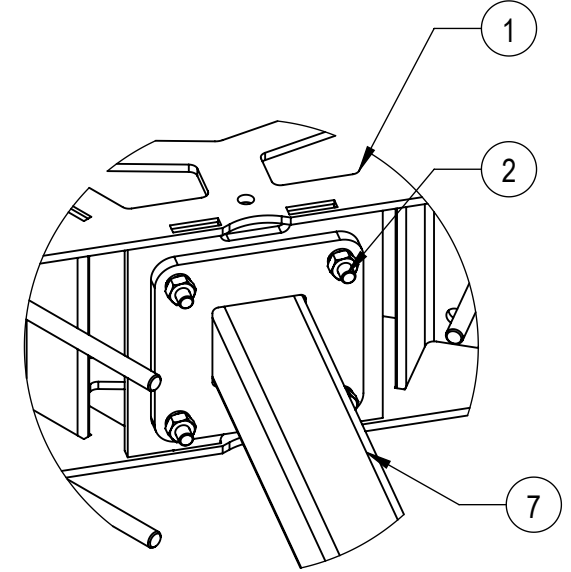
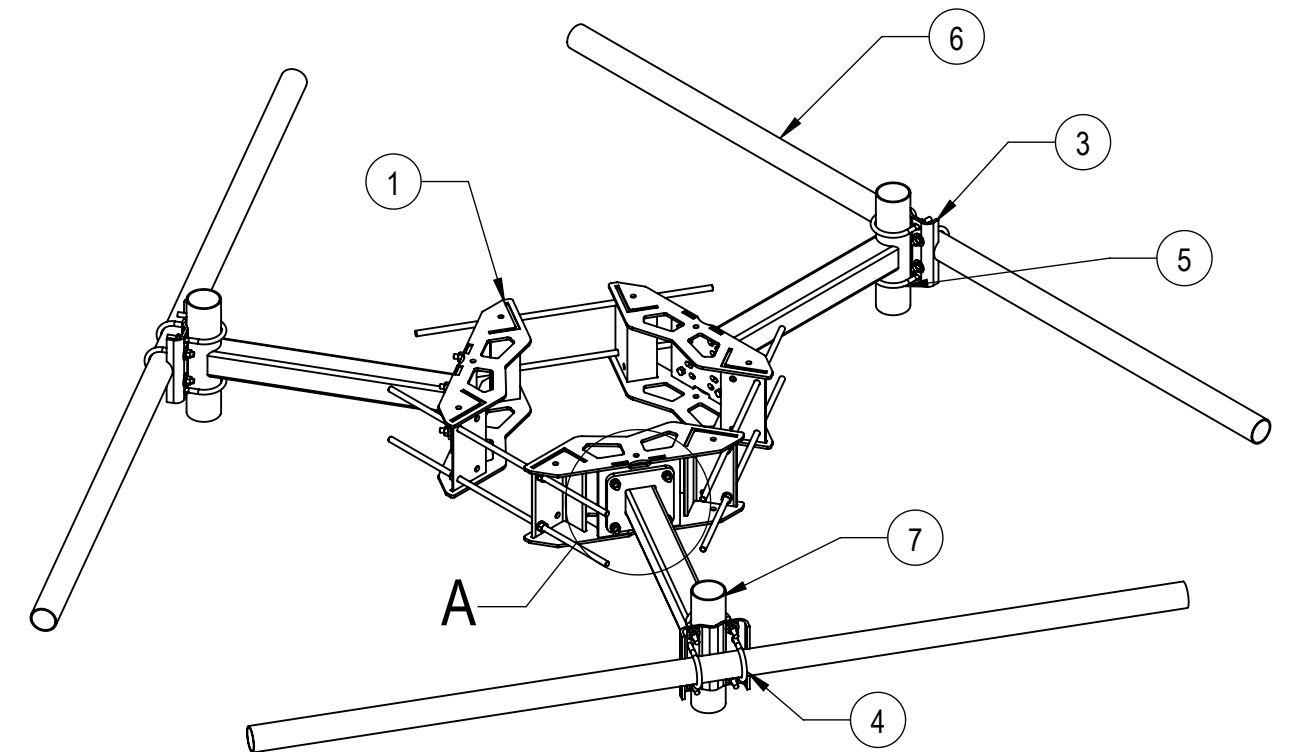
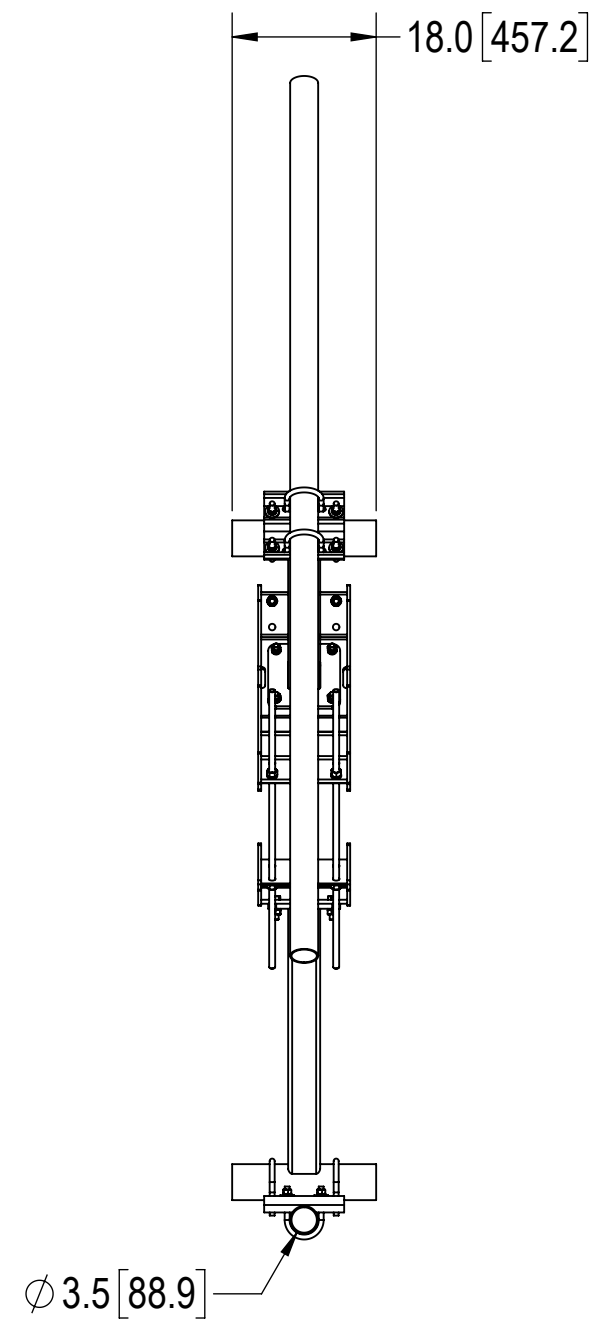
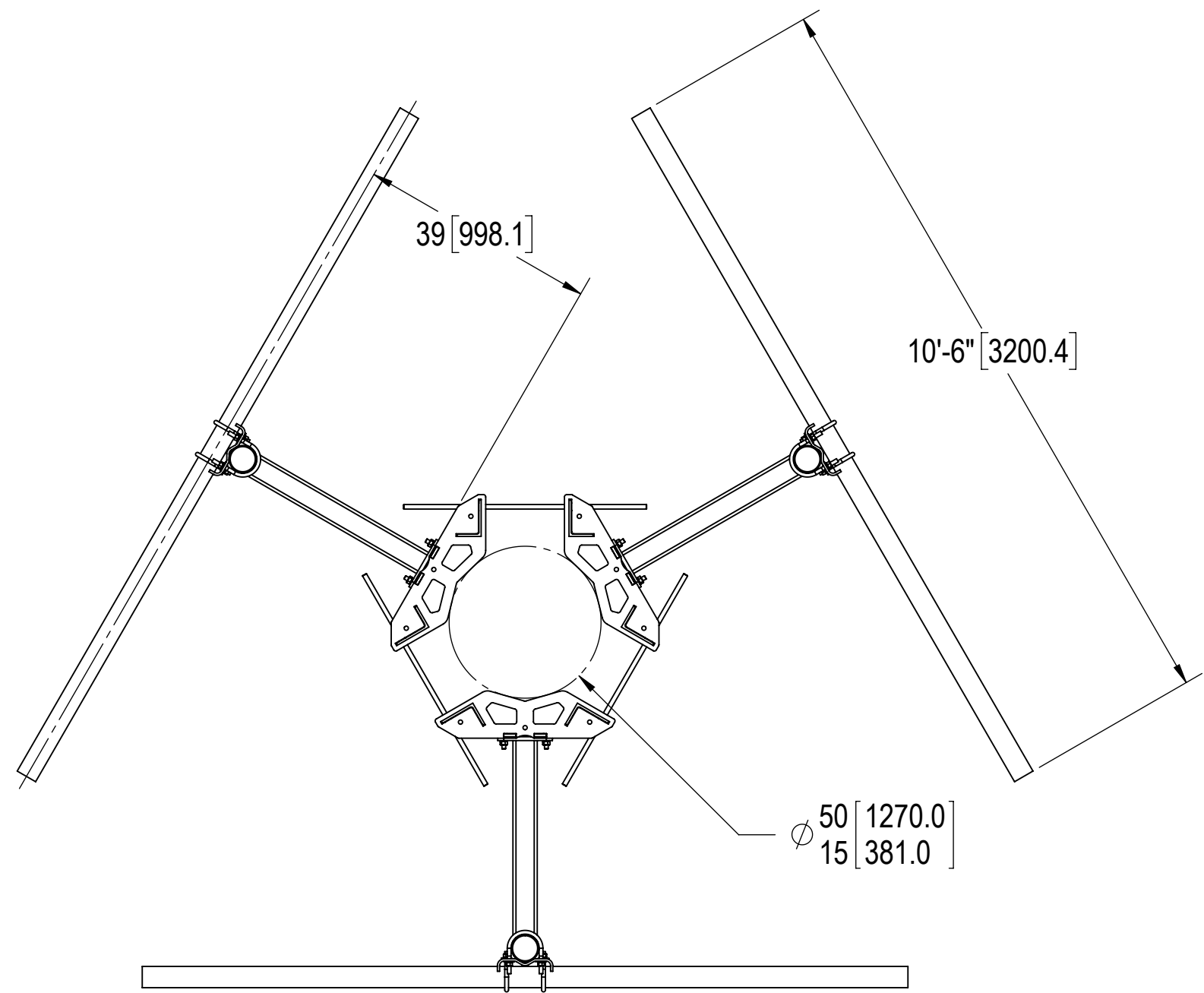


- 1.0 GENERAL NOTES
 1.1 ALL METRIC DIMENSIONS ARE IN BRACKETS [X.X]
 1.2 FOR PATENT INFO: <https://www.cs-pat.com>
 2.0 DESIGN NOTES
 2.1 ANY HAZARDS OR OBSTRUCTIONS TO THE CLIMBING FACILITY AND SAFETY CLIMB MUST BE IDENTIFIED PRIOR TO INSTALLING THE APPURTENANCE. ADDITIONAL PRODUCTS MAY BE REQUIRED TO MAINTAIN THE INTEGRITY OF THE SAFETY CLIMB. DURING INSTALLATION, TEMPORARY AND/OR PERMANENT PRECAUTIONARY MEASURES SHOULD BE TAKEN TO PRESERVE THE CLIMBING FACILITY AND/OR SAFETY CLIMB.
 3.0 MANUFACTURING/SPECIAL REQUIREMENTS
 3.1 TIGHTEN ALL BOLTS SECURING FLAT PLATES BY THE TURN-OF-NUT METHOD. TIGHTEN ALL U-BOLTS USING TURN-OF-NUT METHOD WITH ATTENTION TO LEAVE EQUAL DISTANCE AND EQUAL FORCE ON EACH LEG OF THE U-BOLT.
 4.0 TEST
 5.0 PACKAGING
 5.1 PACKAGING SHALL MEET COMMSCOPE REQUIREMENTS PER DOCUMENT IS-PL-3005
 5.2 PRINTED DOCUMENT TO BE PLACED INSIDE POLYBAG AND THEN IN SHIPPING CONTAINER
 5.3 EXTRA HARDWARE MAYBE SUPPLIED, BAGGED AND SHIPPED

REVISIONS			
REV.	DESCRIPTION	DATE	APPROVED
A	INITIAL RELEASE	MSM 08FEB10	TOPALMER
B	UPDATE RINGMOUNT	MSM 17JAN13	TOPALMER
C	NEW RINGMOUNT WELDMENT DESIGN	RJC 16APR15	TOPALMER 8000007579
D	REDREW THE MODEL AND RENAMED DOC TO MC-K10M SERIES	YMENG 21MAR23	BA1025 40168449CMO

MC-K10M-B SHOWN ON THIS PAGE



DETAIL A
SCALE 1 : 8

PARTS LIST FOR USE WITH MC-K10M-B

T-FRAME #	PIPE	DESCRIPTION	QTY	WEIGHT
MC-K10M-B	-	BASE KIT	0	648.66 LBS
MC-K10M-6-72	MT-651	2-3/8"OD X 72" GALV PIPE	6	821.96 LBS
MC-K10M-6-96	MT-651-96	2-3/8"OD X 96" GALV PIPE	6	856.84 LBS
MC-K10M-9-72	MT-651	2-3/8"OD X 72" GALV PIPE	9	908.61 LBS
MC-K10M-9-96	MT-651-96	2-3/8"OD X 96" GALV PIPE	9	960.93 LBS
MC-K10M-12-72	MT-651	2-3/8"OD X 72" GALV PIPE	12	995.26 LBS
MC-K10M-12-96	MT-651-96	2-3/8"OD X 96" GALV PIPE	12	1065.02 LBS

COMPONENT PART NUMBERS PROVIDED FOR ASSEMBLY PURPOSES;
INDIVIDUAL COMPONENTS MAY BE SHIPPED AS PARTS WITHIN AN INCLUDED KIT.

ITEM	PART NO.	DESCRIPTION	QTY.	WEIGHT	NOTE NO.
1	MC-RM1550-3	15" - 50" OD RINGMOUNT	1	229.90 LBS	
2	GB-0524A	5/8" X 2-1/2" GALV BOLT KIT (A325)	12	0.30 LBS	
3	MT21613	CENTER BRACKET	3	11.80 LBS	
4	GUB-53560	5/8" X 3-5/8" X 6" GALV U-BOLT	6	1.30 LBS	
5	GUB-5456	5/8" X 4-5/8" X 6 1/2" GALV U-BOLT	6	1.43 LBS	
6	MT-547-126	3.5" O.D. X 126" PIPE	3	61.93 LBS	
7	MT19701	36" SINGLE SUPPORT ARM	3	57.29 LBS	

DENSITY	lbs/in ³
MASS	lbs
VOLUME	in ³
SURFACE AREA	in ²
HEIGHT	
LENGTH	
WIDTH	

COMMSCOPE, INC. OF NORTH CAROLINA

TOLERANCES
 1 PLACE .X[X] ± .12[3.0] 3 PLACE .XXX[X] ± .030[0.76]
 2 PLACE .XX[X] ± .06[1.5] ANGLES ± 2°

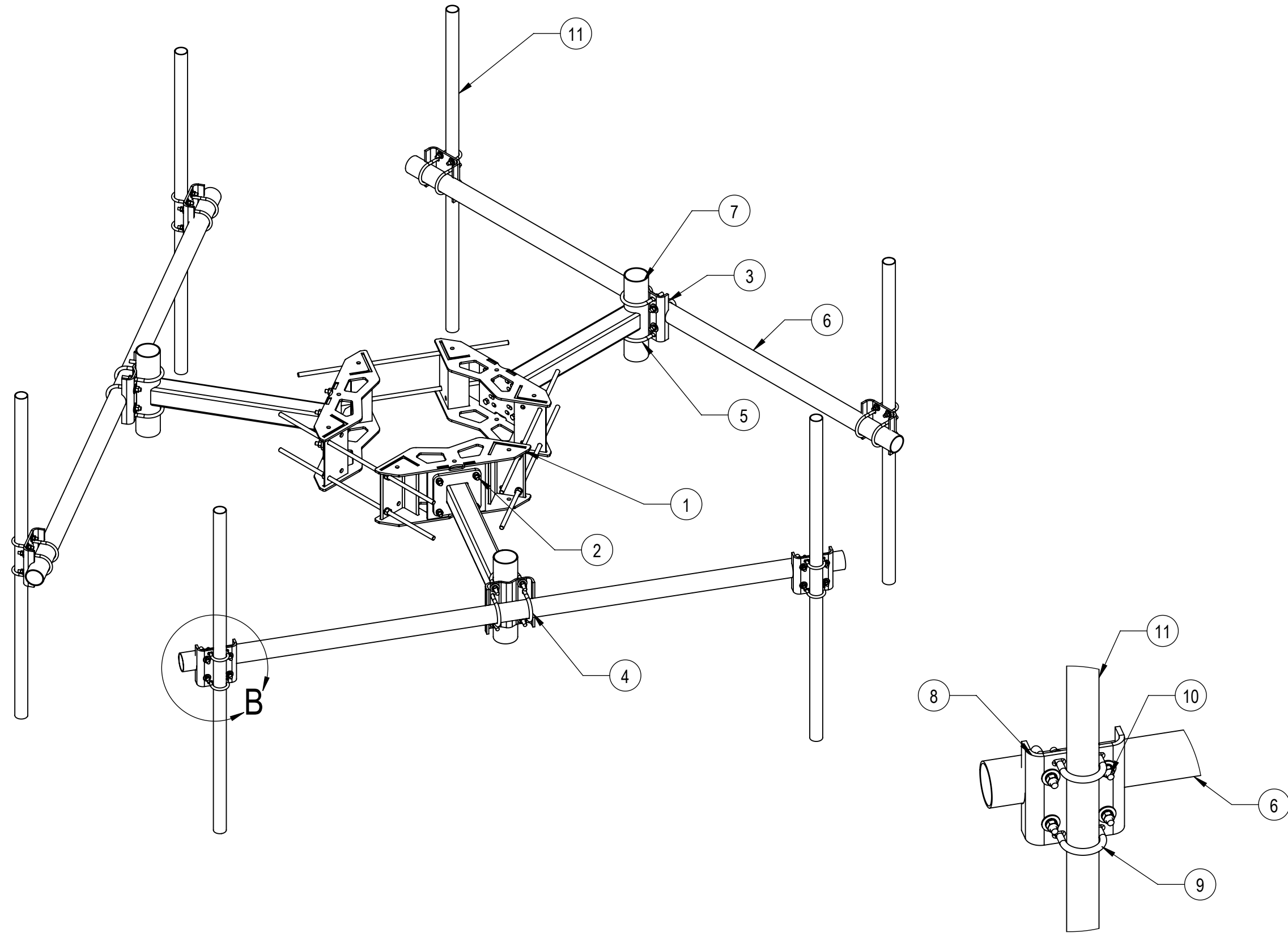
SAP MATERIAL MASTER

FINISH: _____ MATERIAL: _____

UNLESS OTHERWISE SPECIFIED DIMENSIONS ARE IN INCHES INTERPRET PER ANSI Y 14.5M-1994	NAME	DATE	TITLE
	CE MSM	08FEB10	10'- 6" T-FRAME KITS, 15"-50" RM
	RW YMENG	03/22/2023	
	AD YW1045	03/22/2023	
RE YMENG	03/22/2023		
ECN 40168449CMO	SCALE	DOCUMENT NO.	
	1:32	MC-K10M SERIES	

SIZE	Auth Group	INSL	MODEL	DRAWING			SHEET		
C			VERSION	STATUS	REVISION	VERSION	STATUS	REVISION	1 OF 4
			00	RE	D	00	RE	D	

THE MODEL SHOWN ON THIS PAGE IS MC-K10M-6 SERIES


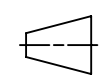


DETAIL B
SCALE 1 : 8

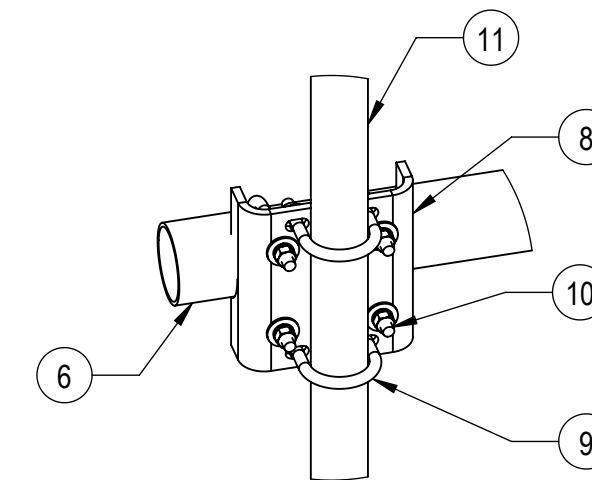
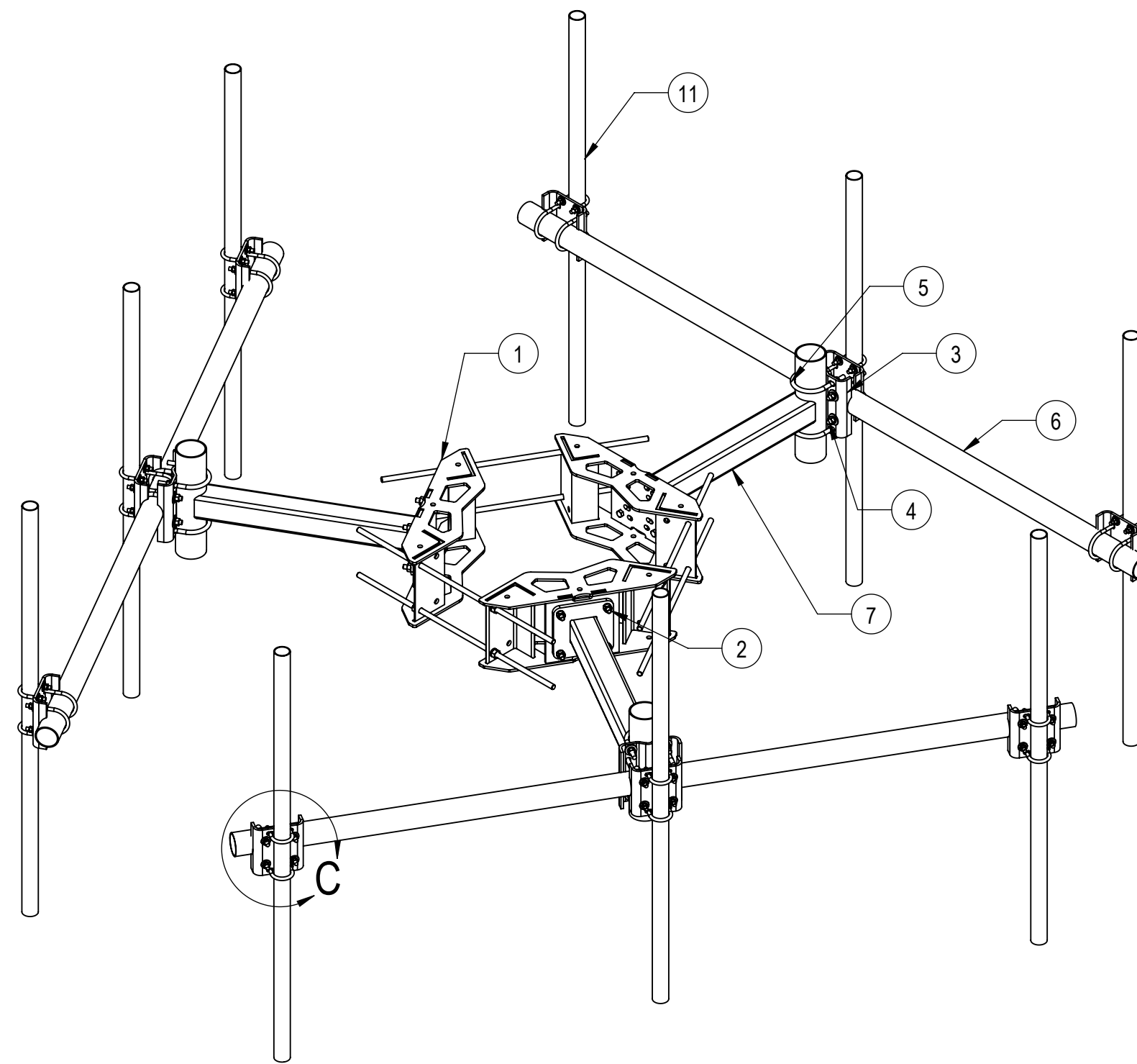
MC-K10M-6-72 SHOWN FOR REFERENCE

COMPONENT PART NUMBERS PROVIDED FOR ASSEMBLY PURPOSES;
INDIVIDUAL COMPONENTS MAY BE SHIPPED AS PARTS WITHIN AN INCLUDED KIT.

ITEM	PART NO.	DESCRIPTION	QTY.	WEIGHT	NOTE
1	MC-RM1550-3	15" - 50" OD RINGMOUNT	1	229.90 LBS	
2	GB-0524A	5/8" X 2-1/2" GALV BOLT KIT (A325)	12	0.30 LBS	
3	MT21613	CENTER BRACKET	3	11.80 LBS	
4	GUB-53560	5/8" X 3-5/8" X 6" GALV U-BOLT	6	1.30 LBS	
5	GUB-5456	5/8" X 4-5/8" X 6 1/2" GALV U-BOLT	6	1.43 LBS	
6	MT-547-126	3.5" O.D. X 126" PIPE	3	61.93 LBS	
7	MT19701	36" SINGLE SUPPORT ARM	3	57.29 LBS	
8	MT21701	PIPE MOUNT PLATE	6	7.93 LBS	
9	GUB-4240	1/2" X 2-1/2" X 4" GALV U-BOLT	12	0.56 LBS	
10	GUB-4356	1/2" X 3-5/8" X 6" GALV U-BOLT	12	0.81 LBS	
11	MT-651	2.375" OD X 72" PIPE	6	17.44 LBS	PN SEE PARTS LIST ON PAGE ONE

COMMSCOPE, INC. OF NORTH CAROLINA				
TITLE 10'- 6" T-FRAME KITS, 15"-50" RM				
SIZE C	SCALE 1:32	DOCUMENT NO. MC-K10M SERIES		
DRAWING		VERSION	STATUS	REVISION
 		00	RE	D
				SHEET 2 OF 4

THE MODEL SHOWN ON THIS PAGE IS MC-K10M-9 SERIES


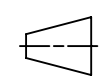


DETAIL C
SCALE 1 : 8

MC-K10M-9-72 SHOWN FOR REFERENCE

COMPONENT PART NUMBERS PROVIDED FOR ASSEMBLY PURPOSES;
INDIVIDUAL COMPONENTS MAY BE SHIPPED AS PARTS WITHIN AN INCLUDED KIT.

ITEM	PART NO.	DESCRIPTION	QTY.	WEIGHT	NOTE
1	MC-RM1550-3	15" - 50" OD RINGMOUNT	1	229.90 LBS	
2	GB-0524A	5/8" X 2-1/2" GALV BOLT KIT (A325)	12	0.30 LBS	
3	MT21613	CENTER BRACKET	3	11.80 LBS	
4	GUB-53560	5/8" X 3-5/8" X 6" GALV U-BOLT	6	1.30 LBS	
5	GUB-5456	5/8" X 4-5/8" X 6 1/2" GALV U-BOLT	6	1.43 LBS	
6	MT-547-126	3.5" O.D. X 126" PIPE	3	61.93 LBS	
7	MT19701	36" SINGLE SUPPORT ARM	3	57.29 LBS	
8	MT21701	PIPE MOUNT PLATE	9	7.93 LBS	
9	GUB-4240	1/2" X 2-1/2" X 4" GALV U-BOLT	18	0.56 LBS	
10	GUB-4356	1/2" X 3-5/8" X 6" GALV U-BOLT	18	0.81 LBS	
11	MT-651	2.375" OD X 72" PIPE	9	17.44 LBS	PN SEE PARTS LIST ON PAGE ONE

COMMSCOPE, INC. OF NORTH CAROLINA				
TITLE 10'- 6" T-FRAME KITS, 15"-50" RM				
SIZE C	SCALE 1:32	DOCUMENT NO. MC-K10M SERIES		
DRAWING		VERSION	STATUS	REVISION
 		00	RE	D
				SHEET 3 OF 4

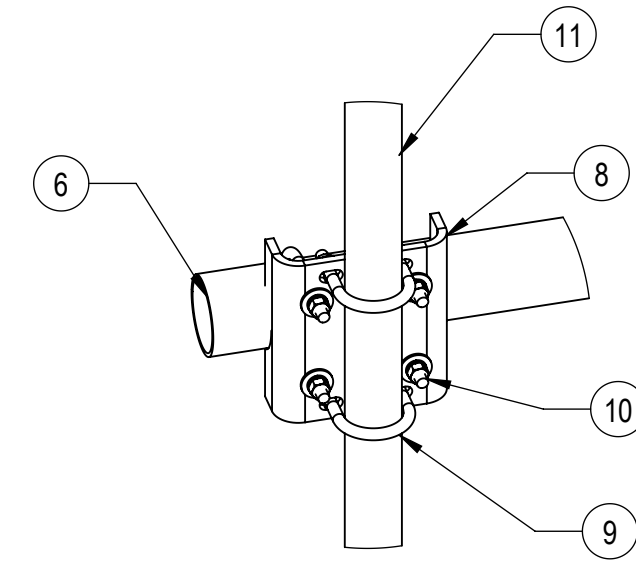
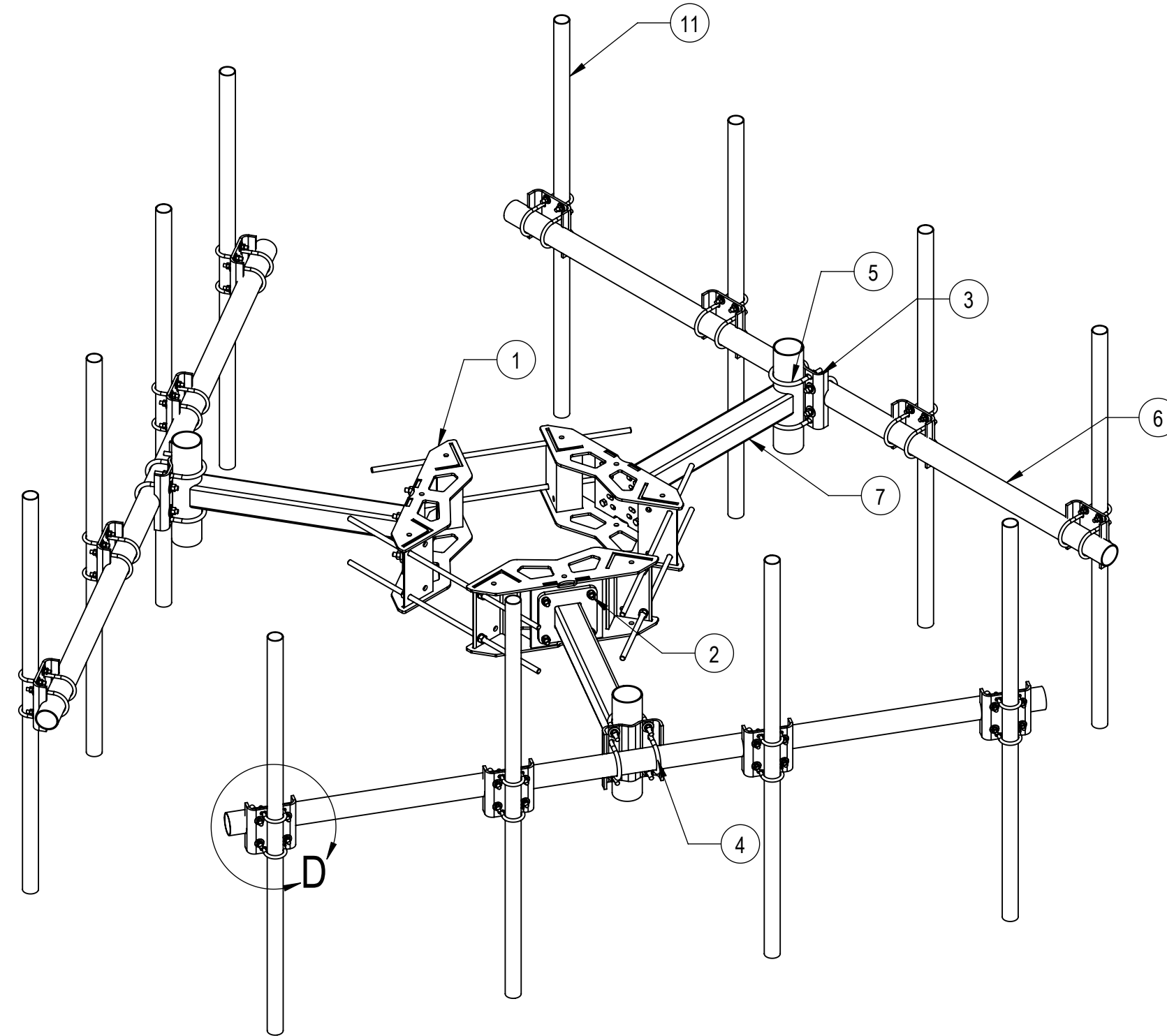
4

3

2

1

THE MODEL SHOWN ON THIS PAGE IS MC-K10M-12 SERIES


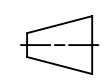


DETAIL D
SCALE 1 : 8

MC-K10M-12-72 SHOWN FOR REFERENCE

COMPONENT PART NUMBERS PROVIDED FOR ASSEMBLY PURPOSES;
INDIVIDUAL COMPONENTS MAY BE SHIPPED AS PARTS WITHIN AN INCLUDED KIT.

ITEM	PART NO.	DESCRIPTION	QTY.	WEIGHT	NOTE
1	MC-RM1550-3	15" - 50" OD RINGMOUNT	1	229.90 LBS	
2	GB-0524A	5/8" X 2-1/2" GALV BOLT KIT (A325)	12	0.30 LBS	
3	MT21613	CENTER BRACKET	3	11.80 LBS	
4	GUB-53560	5/8" X 3-5/8" X 6" GALV U-BOLT	6	1.30 LBS	
5	GUB-5456	5/8" X 4-5/8" X 6 1/2" GALV U-BOLT	6	1.43 LBS	
6	MT-547-126	3.5" O.D. X 126" PIPE	3	61.93 LBS	
7	MT19701	36" SINGLE SUPPORT ARM	3	57.29 LBS	
8	MT21701	PIPE MOUNT PLATE	12	7.93 LBS	
9	GUB-4240	1/2" X 2-1/2" X 4" GALV U-BOLT	24	0.56 LBS	
10	GUB-4356	1/2" X 3-5/8" X 6" GALV U-BOLT	24	0.81 LBS	
11	MT-651	2.375" OD X 72" PIPE	12	17.44 LBS	PN SEE PARTS LIST ON PAGE ONE

COMMSCOPE, INC. OF NORTH CAROLINA					
TITLE 10'- 6" T-FRAME KITS, 15"-50" RM					
SIZE C	SCALE 1:32	DOCUMENT NO. MC-K10M SERIES			
 		DRAWING			SHEET 4 OF 4
		VERSION 00	STATUS RE	REVISION D	

© 2023 CommScope, Inc. Confidential

4

3

2

1