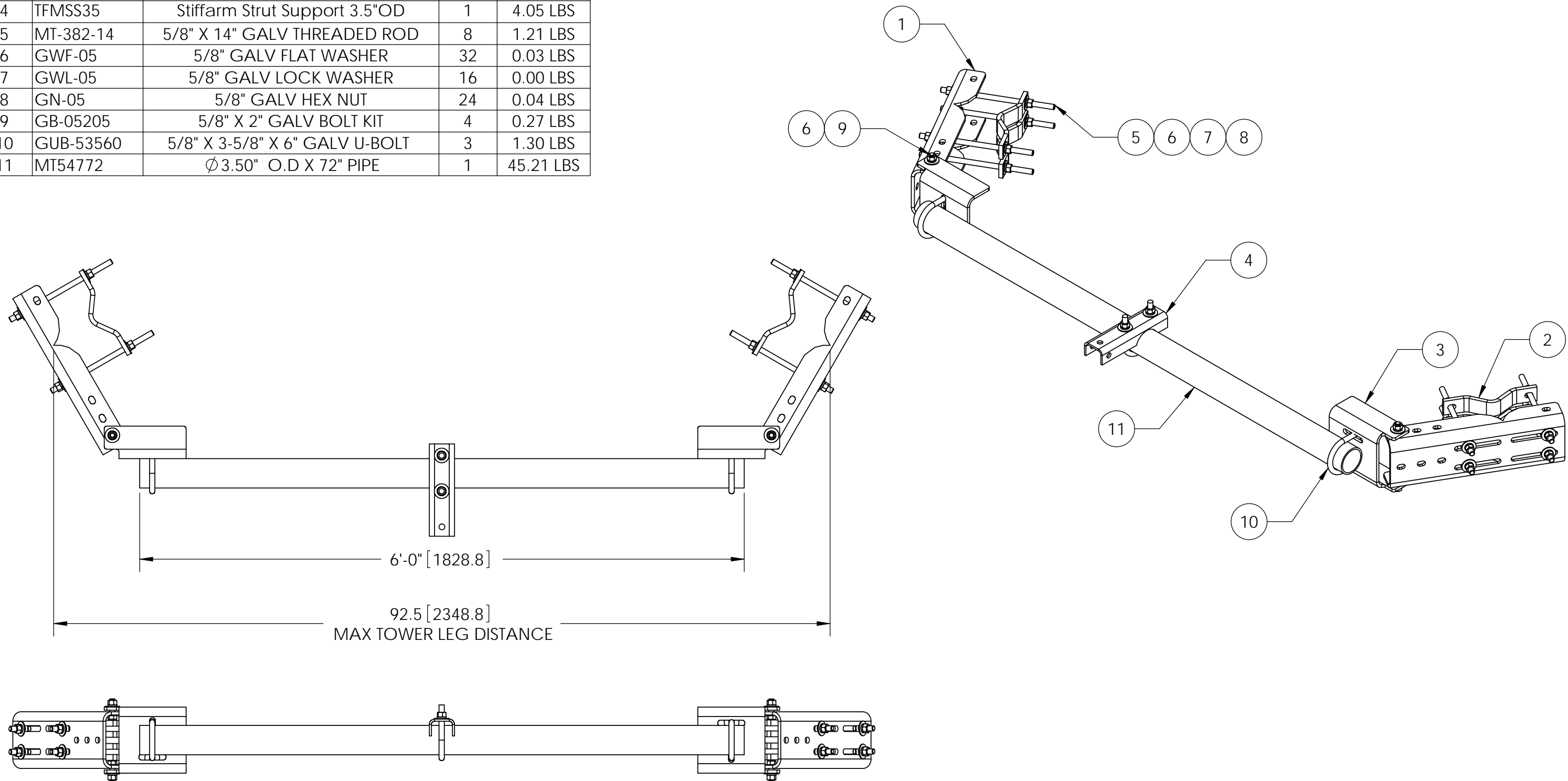



ITEM	PART NO.	DESCRIPTION	QTY.	WEIGHT
1	MDCS01	Universal Leg Channel	2	24.61 LBS
2	MCP10	2-1/2" O.D. TO 9" O.D. CLAMP HALF	4	3.36 LBS
3	MTC9872.02	CHANNEL PIVOT BRACKET	2	12.43 LBS
4	TFMSS35	Stiffarm Strut Support 3.5"OD	1	4.05 LBS
5	MT-382-14	5/8" X 14" GALV THREADED ROD	8	1.21 LBS
6	GWF-05	5/8" GALV FLAT WASHER	32	0.03 LBS
7	GWL-05	5/8" GALV LOCK WASHER	16	0.00 LBS
8	GN-05	5/8" GALV HEX NUT	24	0.04 LBS
9	GB-05205	5/8" X 2" GALV BOLT KIT	4	0.27 LBS
10	GUB-53560	5/8" X 3-5/8" X 6" GALV U-BOLT	3	1.30 LBS
11	MT54772	Ø 3.50" O.D X 72" PIPE	1	45.21 LBS

REVISIONS				
REV.	ZONE	DESCRIPTION	BY	DATE
A		INITIAL RELEASE	MSM	2/19/10
B		REMOVE FACE MOUNT HARDWARE	MSM	04/14/10
C		THREADED ROD WAS MT-381	MSM	09/13/12

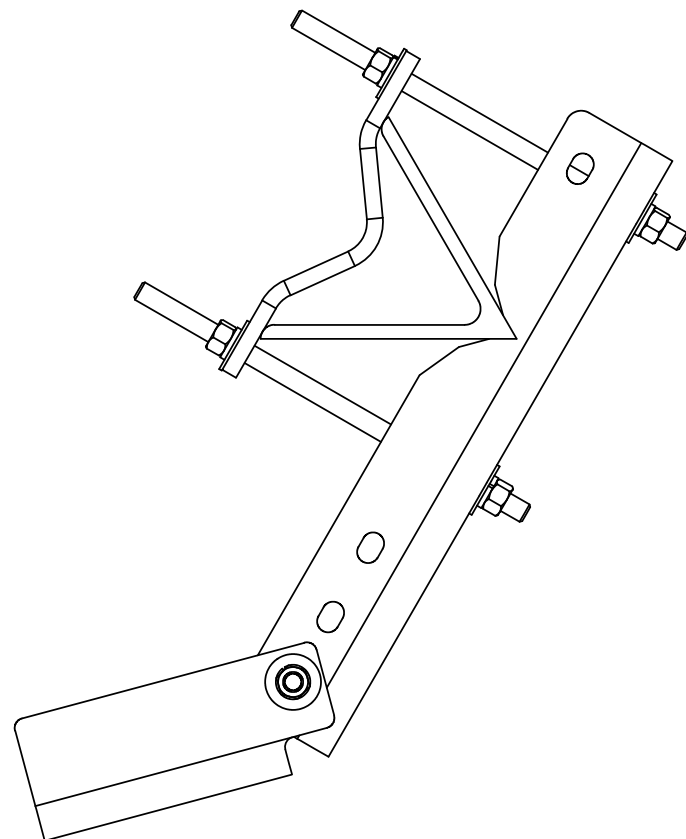


NOTES:
 1. ALL METRIC DIMENSIONS ARE IN BRACKETS.

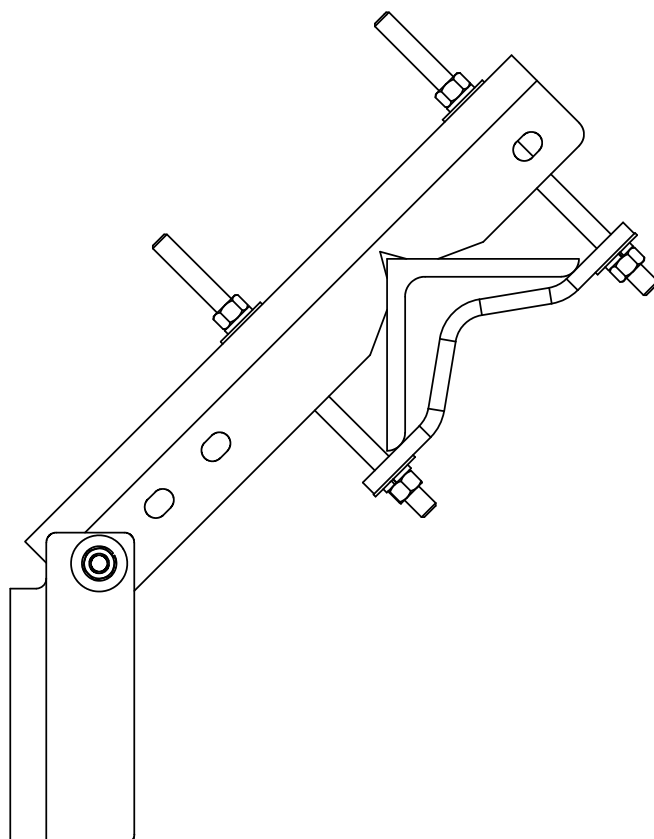
These drawings and specifications are the proprietary property of ANDREW CORPORATION and may be used only for the specific purpose authorized in writing by Andrew Corporation. ALL DIMENSIONS ARE IN INCHES U.O.S. TOLERANCES UNLESS OTHERWISE SPECIFIED: .X = ± .12 ANGLES ±2° .XX = ± .06 FRACTIONS ±1/32 .XXX = ± .03 REMOVE BURRS AND BREAK EDGES .005 DO NOT SCALE THIS PRINT	DRAWN BY: MSM	SHEET: 1 of 2	PART NUMBER: MD-CS-6R
	CHECKED BY: TP	SCALE: NTS	DESCRIPTION: Microwave Dish Channel Support, 6' Round
	DATE: 02/19/10	MATERIAL: A36, A53	DRAWING TYPE: ASSEMBLY DRAWING
	REVISION: C	FINISH: GALV A123	WEIGHT: 157.01 LBS


 WESTCHESTER, IL. 60154
 U.S.A.

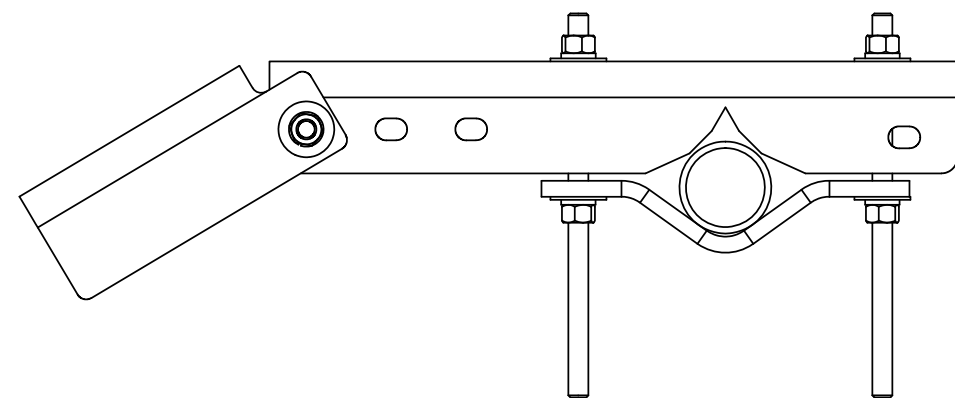
OPTIONAL MOUNTING




60 ° TOWER LEGS UP TO 8" X 8" ANGLE



90 ° TOWER LEGS UP TO 6" X 6" ANGLE



ROUND TOWER LEGS UP TO ϕ 8" OD

These drawings and specifications are the proprietary property of ANDREW CORPORATION and may be used only for the specific purpose authorized in writing by Andrew Corporation. ALL DIMENSIONS ARE IN INCHES U.O.S. TOLERANCES UNLESS OTHERWISE SPECIFIED: .X = ± .12 ANGLES ±2° .XX = ± .06 FRACTIONS ±1/32 .XXX = ± .03 REMOVE BURRS AND BREAK EDGES .005 DO NOT SCALE THIS PRINT	DRAWN BY: MSM	SHEET: 2 of 2	PART NUMBER: MD-CS-6R
	CHECKED BY: TP	SCALE: NTS	DESCRIPTION: Microwave Dish Channel Support, 6' Round
	DATE: 02/19/10	MATERIAL: A36, A53	DRAWING TYPE: ASSEMBLY DRAWING
	REVISION: C	FINISH: GALV A123	 WESTCHESTER, IL. 60154 U.S.A.
	WEIGHT: 157.01 LBS		