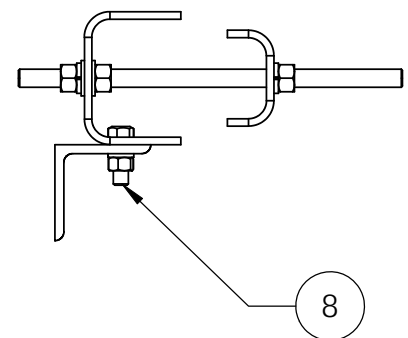
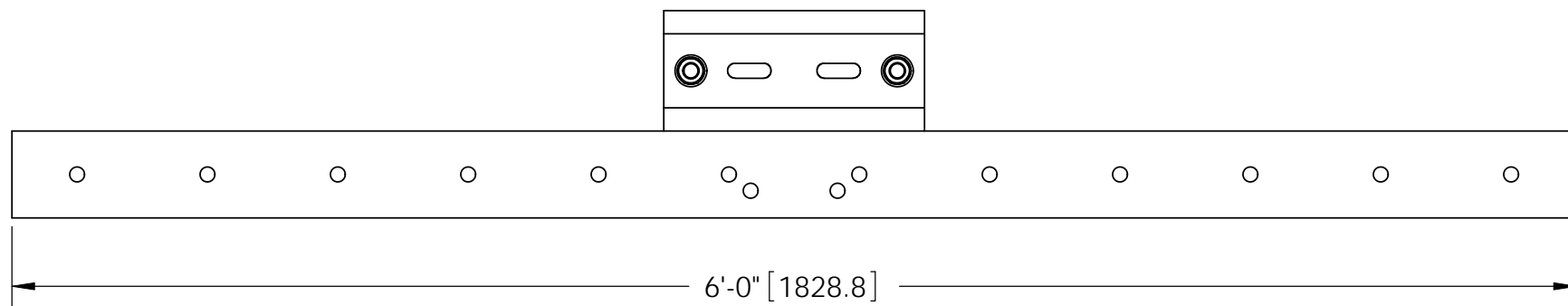
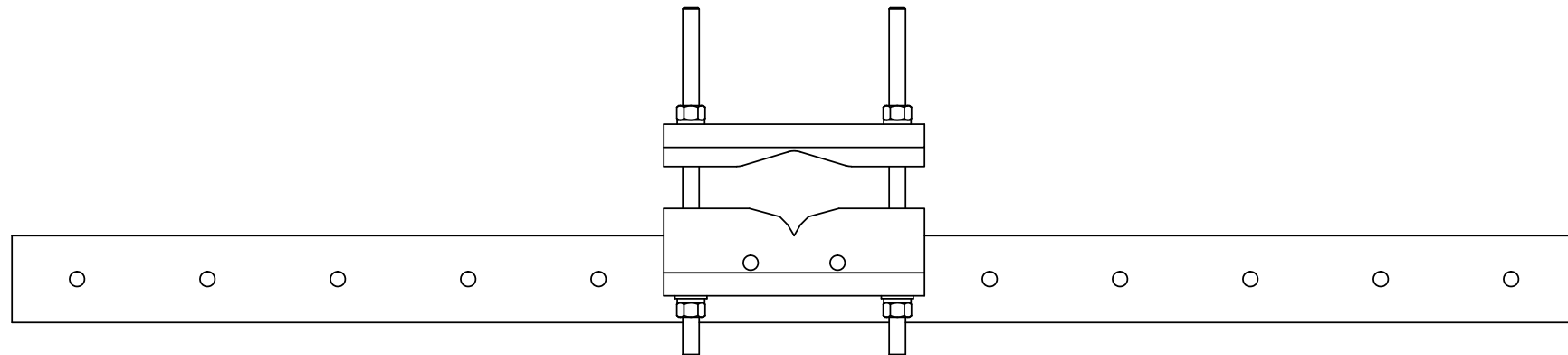
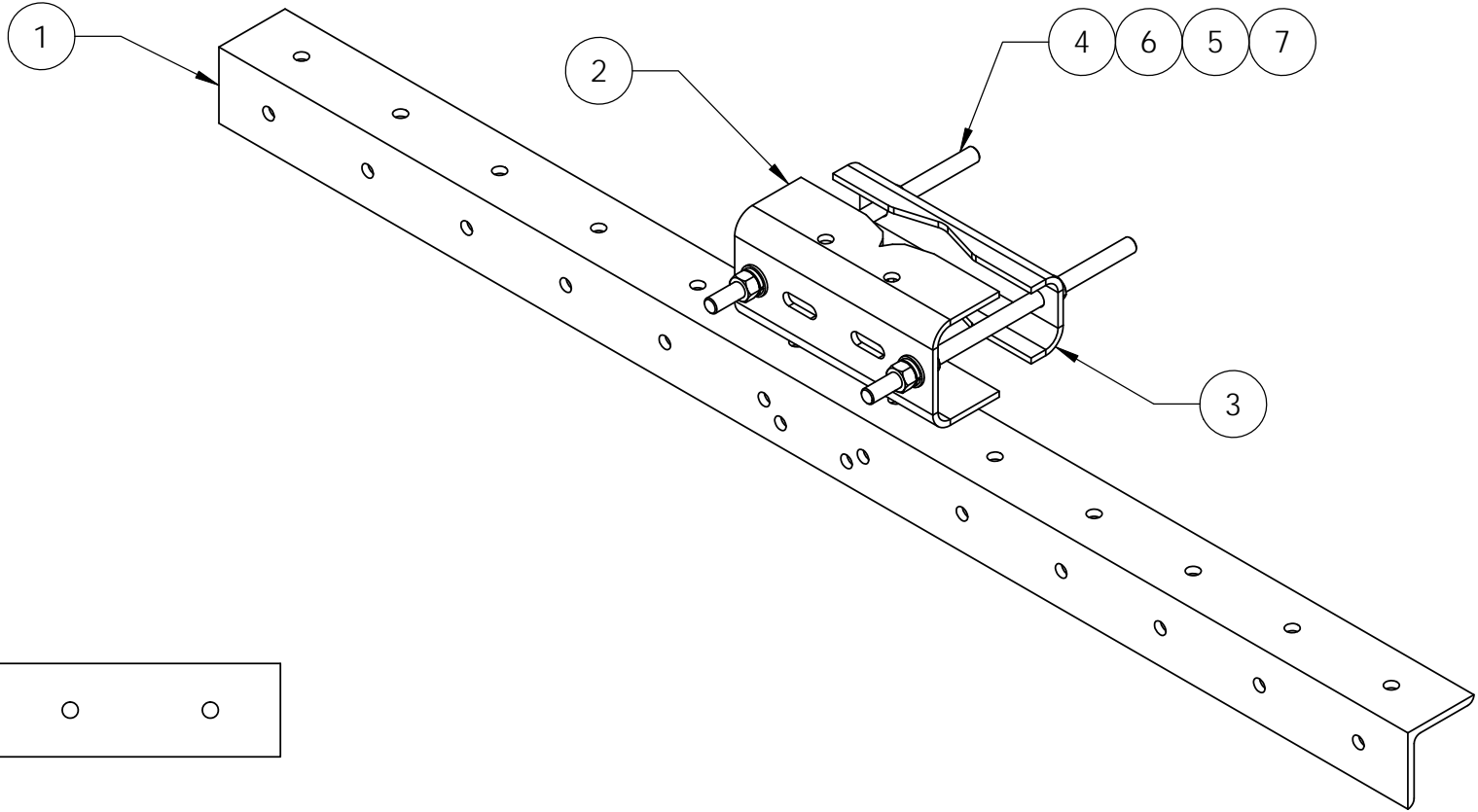



ITEM	PART NO.	DESCRIPTION	QTY.	WEIGHT
1	MD-CSA6	MD-CS 6' Angle	1	56.30 LBS
2	SMU208004	MOUNT	1	12.15 LBS
3	SMU2080.06	CLAMP PLATE	1	6.43 LBS
4	MT-384-16	3/4" X 16" GALV THREADED ROD	2	2.00 LBS
5	GWL-06	3/4" GALV LOCK WASHER	4	0.01 LBS
6	GWF-06	3/4" GALV FLAT WASHER	4	0.04 LBS
7	GN-06	3/4" GALV HEX NUT	6	0.02 LBS
8	GB-05205	5/8" X 2" GALV BOLT KIT	2	0.13 LBS

REVISIONS				
REV.	ZONE	DESCRIPTION	BY	DATE
A		INITIAL RELEASE	MSM	04/20/10



NOTES:
 1. ALL METRIC DIMENSIONS ARE IN BRACKETS.

<small>These drawings and specifications are the proprietary property of ANDREW CORPORATION and may be used only for the specific purpose authorized in writing by Andrew Corporation.</small> ALL DIMENSIONS ARE IN INCHES U.O.S. TOLERANCES UNLESS OTHERWISE SPECIFIED: .X = ± .12 ANGLES ±2° .XX = ± .06 FRACTIONS ±1/32 .XXX = ± .03 REMOVE BURRS AND BREAK EDGES .005 DO NOT SCALE THIS PRINT	DRAWN BY: MSM	SHEET: 1 of 1	PART NUMBER: MD-SSA6
	CHECKED BY: TP	SCALE: NTS	DESCRIPTION: Microwave Saddle Mount Support Angle, 6'
	DATE: 04/20/10	MATERIAL: A36, A529	DRAWING TYPE: ASSEMBLY DRAWING
	REVISION: A	FINISH: GALV A123	 WESTCHESTER, IL. 60154 U.S.A.
	WEIGHT: 80.80 LBS		