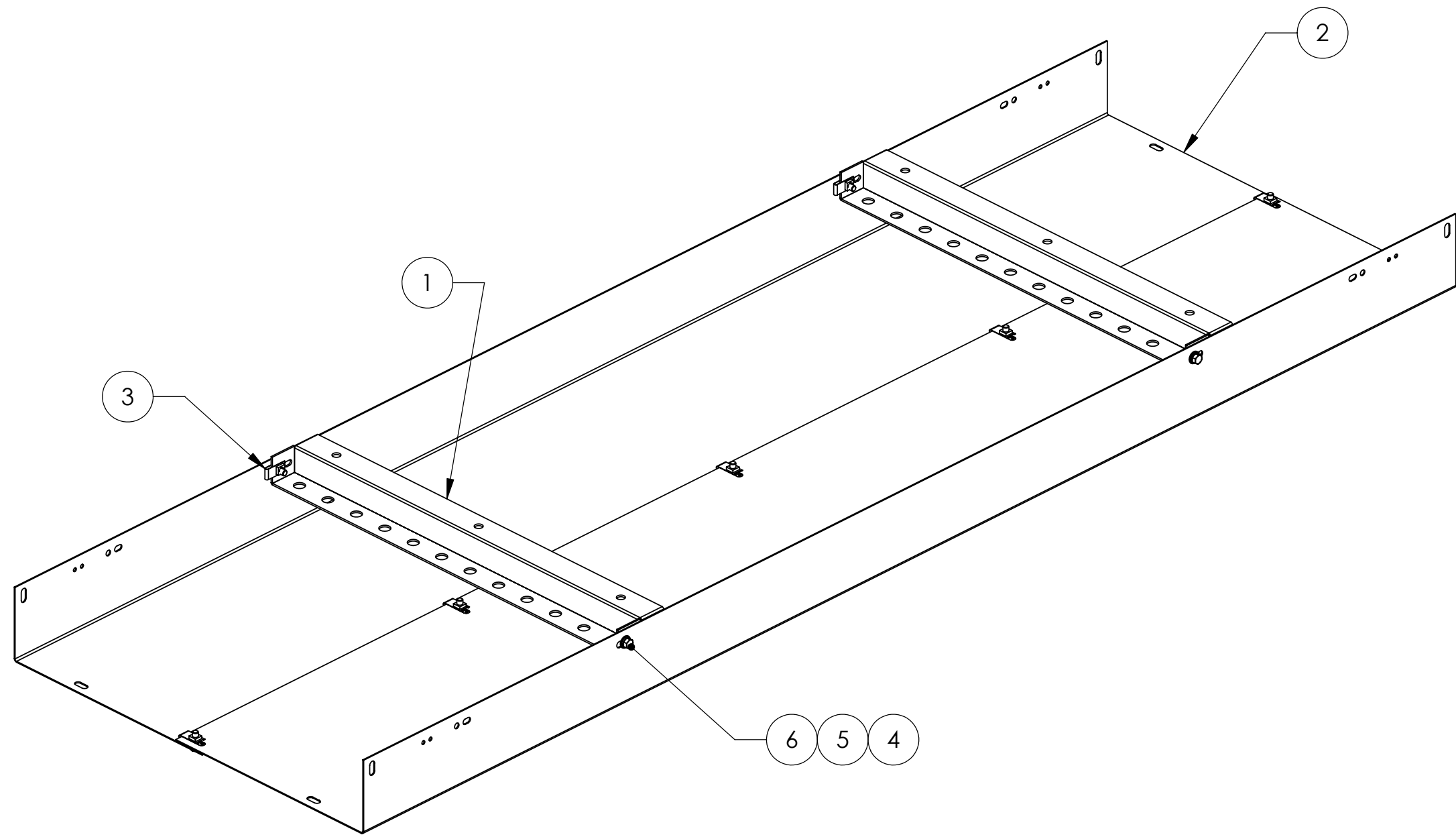



ITEM NO.	PART NUMBER	DESCRIPTION	QTY.	WEIGHT
1	MTF1588	WALL MOUNT BRACKET (12-RUNS OF COAX)	2	6.27 LBS
2	MTF1591.01	WALL COAX COVER FOR 12-RUNS	2	43.73 LBS
3	MTF1591.05	NUT 3/8" GALV. "J" RETAINER	9	0.03 LBS
4	SWF.03	3/8" S.S. FLAT WASHER	9	0.01 LBS
5	SWL.03	3/8" S.S. LOCK WASHER	9	0.01 LBS
6	SB-0310	3/8" X 1" S.S. BOLT	9	0.05 LBS

REVISIONS				
REV.	ZONE	DESCRIPTION	BY	DATE
C		REDRAWN IN SOLIDWORKS	AW	09/07/06



These drawings and specifications are the proprietary property of ANDREW CORPORATION and may be used only for the specific purpose authorized in writing by Andrew Corporation. ALL DIMENSIONS ARE IN INCHES U.O.S. TOLERANCES UNLESS OTHERWISE SPECIFIED: .X = ± .06 ANGLES ± 2' .XX = ± .03 FRACTIONS ± 1/32 .XXX = ± .010 REMOVE BURRS AND BREAK EDGES .005 DO NOT SCALE THIS PRINT	DRAWN BY: AW	SHEET: 1 of 1	PART NUMBER: MT-F1591
	CHECKED BY: TP	SCALE: NTS	DESCRIPTION: COAX WALL SUPPORT KIT, 12 RUN COAX
	DATE: 09/07/06	MATERIAL: A36	DRAWING TYPE: ASSEMBLY DRAWING
	REVISION: C	FINISH: GALV A123	 ORLAND PARK, IL. 60462 U.S.A.
	WEIGHT: 100.37 LBS		