

4

3

2

1

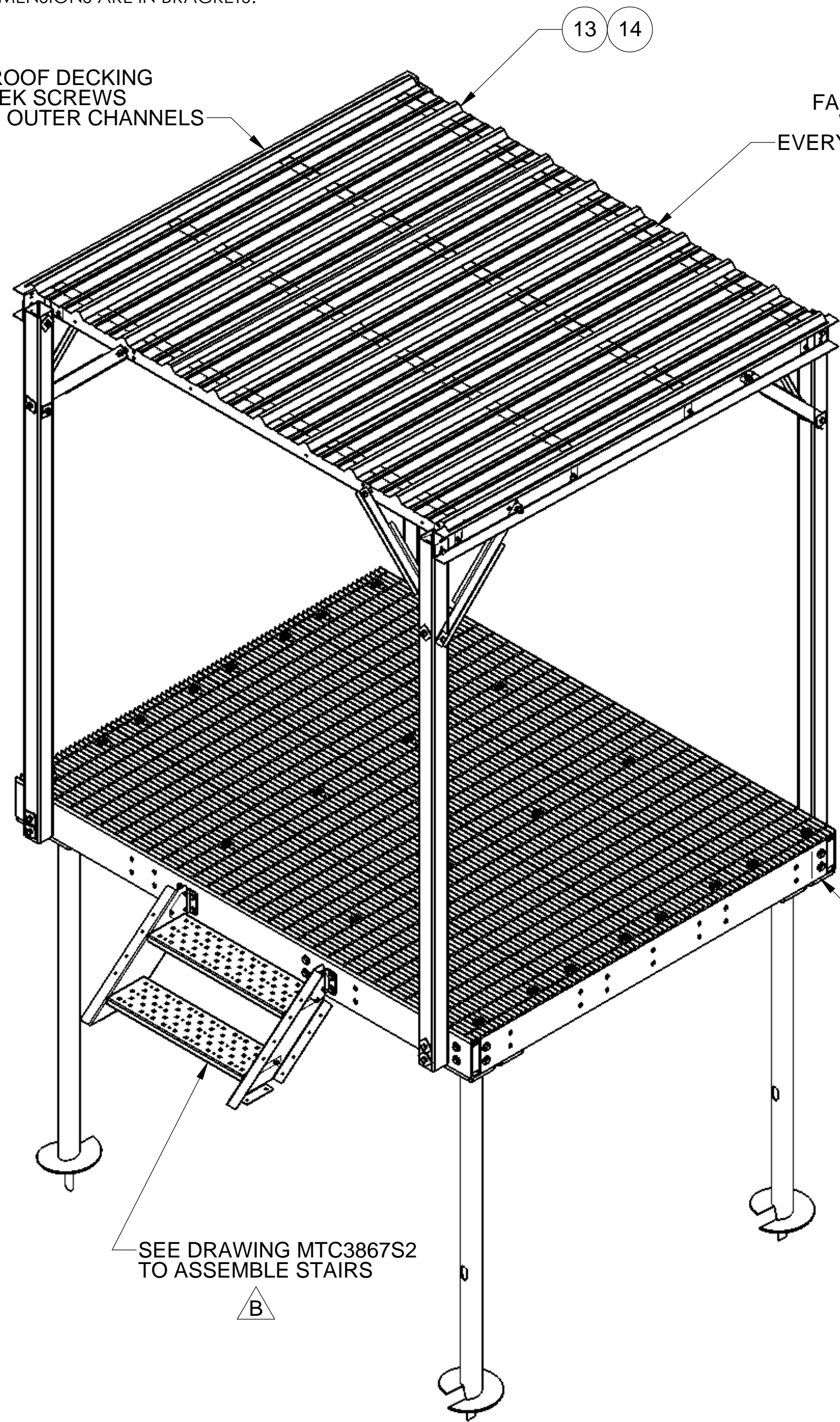
NOTES:

1.0 ALL METRIC DIMENSIONS ARE IN BRACKETS.

REVISIONS				
REV.	ECN	DESCRIPTION	BY	DATE
A	8000028797	INITIAL RELEASE	RJC	03/07/18
B	8000029849	ADDED SHEETS FOR DETAILS & CALLOUTS	RJC	06/01/18

FASTEN ROOF DECKING  
WITH TEK SCREWS  
EVERY 12" ON OUTER CHANNELS

FASTEN ROOF DECKING  
WITH TEK SCREWS  
EVERY 6" ON INNER CHANNELS



ITEM	PART NO.	DESCRIPTION	QTY.	WEIGHT	NOTE NO.
1	EQ-P0810-B	8' X 10' Platform Base	1	1219.87 LBS	
2	MTC3867S2	STAIR ASSEMBLY, TWO STEP	1	63.05 LBS	
3	ST-HB0704	LIGHTING FOUNDATION 7',4" OD; 14" SQ	4	109.34 LBS	
4	MTC397902	PINCH PLATE, LONG	4	2.84 LBS	
5	MTC397901	PINCH PLATE	4	0.90 LBS	
6	GB-06305	3/4" X 3" GALV BOLT KIT	12	0.53 LBS	
7	GSF-06	3/4" GALV FLAT WASHER	12	0.10 LBS	
8	MTC397903	POST, 4 X 4 X 120	4	60.656 LBS	
9	MTC397904	CHANNEL, 6 X 2.8 X 104", 11 GA	6	39.33 LBS	
10	MTC396602	BRACKET, CANOPY - ANGLE	8	1.13 LBS	
11	MTC3813C14	CANOPY BRACE, 11 GA, 30"	8	4.18 LBS	
12	GB-03105	3/8" X 1" GALV BOLT KIT	32	0.05 LBS	
13	RDR2636100	ROOF DECKING PBR 24 GA 36" X 144"	3	29.54 LBS	
14	TS1275	TEK SCREW #12 X 3/4, WITH NEOPRENE WASHER	100	0.02 LBS	
15	GB-05165	5/8" X 1-3/4" GALV BOLT KIT	8	0.24 LBS	
16	GB-05545	5/8" X 5-1/2" GALV BOLT KIT	20	0.56 LBS	
17	SW-58	BACKING PLATE, .188" X 2.5" X 2.5" W/ 11/16" HOLE	36	0.31 LBS	

SEE DRAWING EQ-P0810-B  
TO ASSEMBLE PLATFORM

B

SEE DRAWING MTC3867S2  
TO ASSEMBLE STAIRS

B

DENSITY	0	lbs/in <sup>3</sup>
MASS	2386	lbs
VOLUME	8462	in <sup>3</sup>
SURFACE AREA		in <sup>2</sup>
HEIGHT		
LENGTH		
WIDTH		

**COMMSCOPE, INC. OF NORTH CAROLINA**

TOLERANCES		SAP MATERIAL MASTER	
0 PLACE X ± .25	2 PLACE .XX ± .06	<b>MTC39790704C</b>	
1 PLACE X ± .12	ANGLES ± 2°		
FINISH		MATERIAL	
<b>GALV A123</b>		A1011/A1018, A500, A529, A572	
<small>UNLESS OTHERWISE SPECIFIED DIMENSIONS ARE IN MILLIMETERS INTERPRET PER ISO STANDARDS HANDBOOK TECHNICAL DRAWINGS VOLUMES 1 &amp; 2, THIRD EDITION (2002)</small>		NAME	DATE
		CE <b>RJC</b>	03/07/18
<small>SCALE</small> <b>1:18</b>		TITLE	
		<b>8X10 PLTFM, 2-STEP, (4) 7'X4" HLCL, CNPY</b>	
ECN <b>8000028797</b>		DOCUMENT NO. <b>MTC39790704C</b>	
SIZE	WORK AREA	MODEL	DRAWING
<b>C</b>		VERSION	STATUS
		REVISION	VERSION
		REVISION	REVISION
			<b>B</b>
			SHEET
			1 OF 4

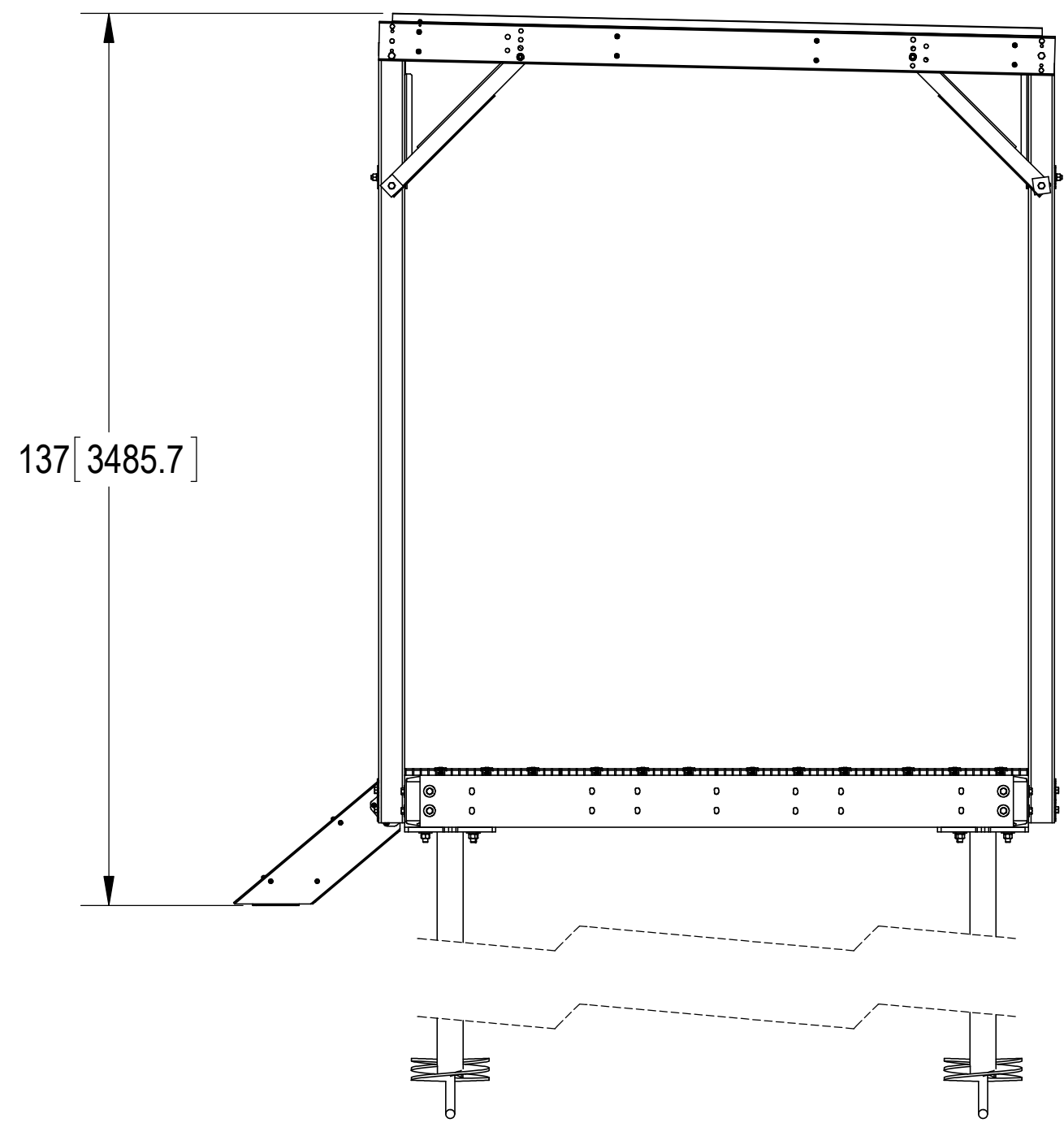
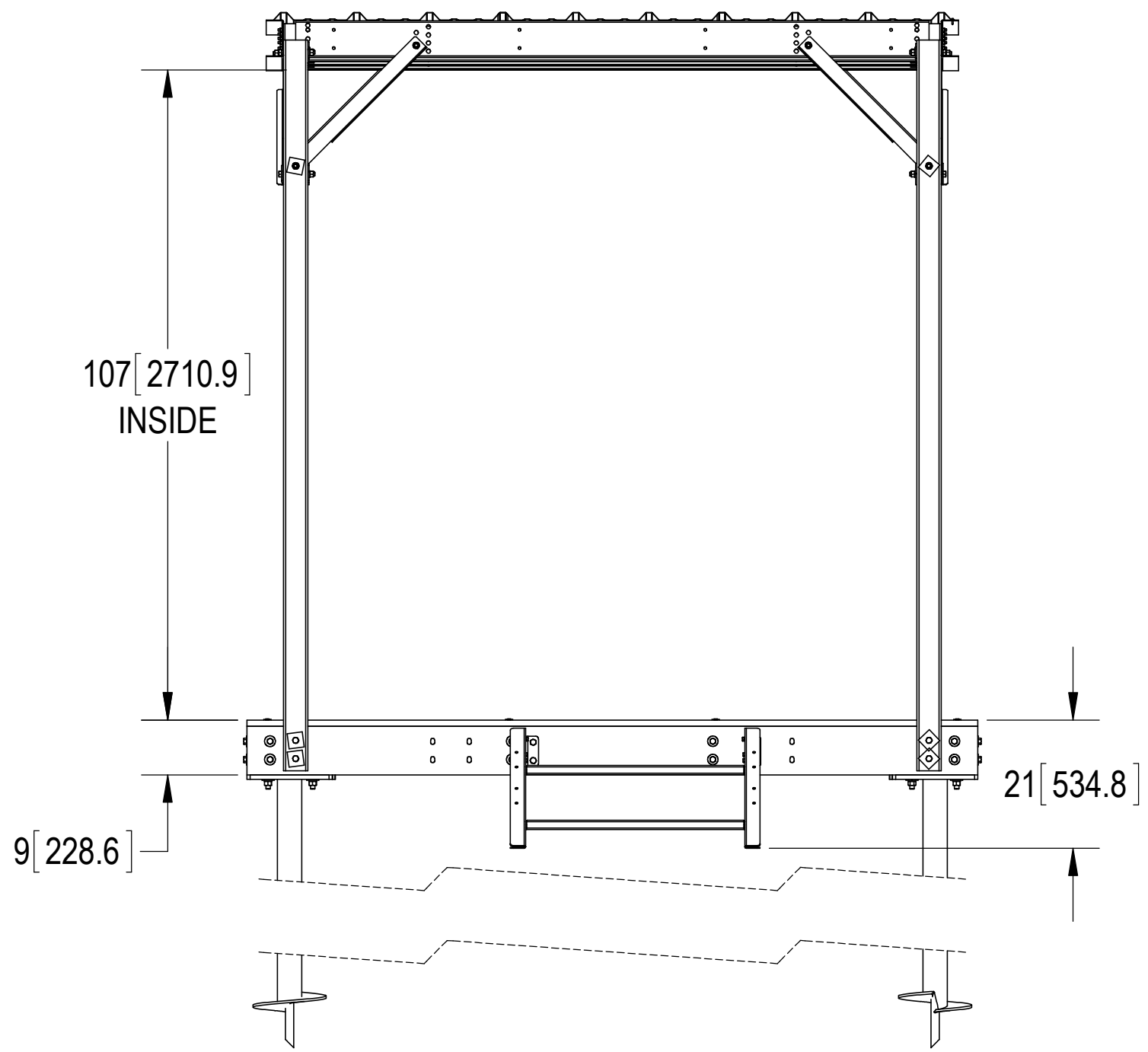
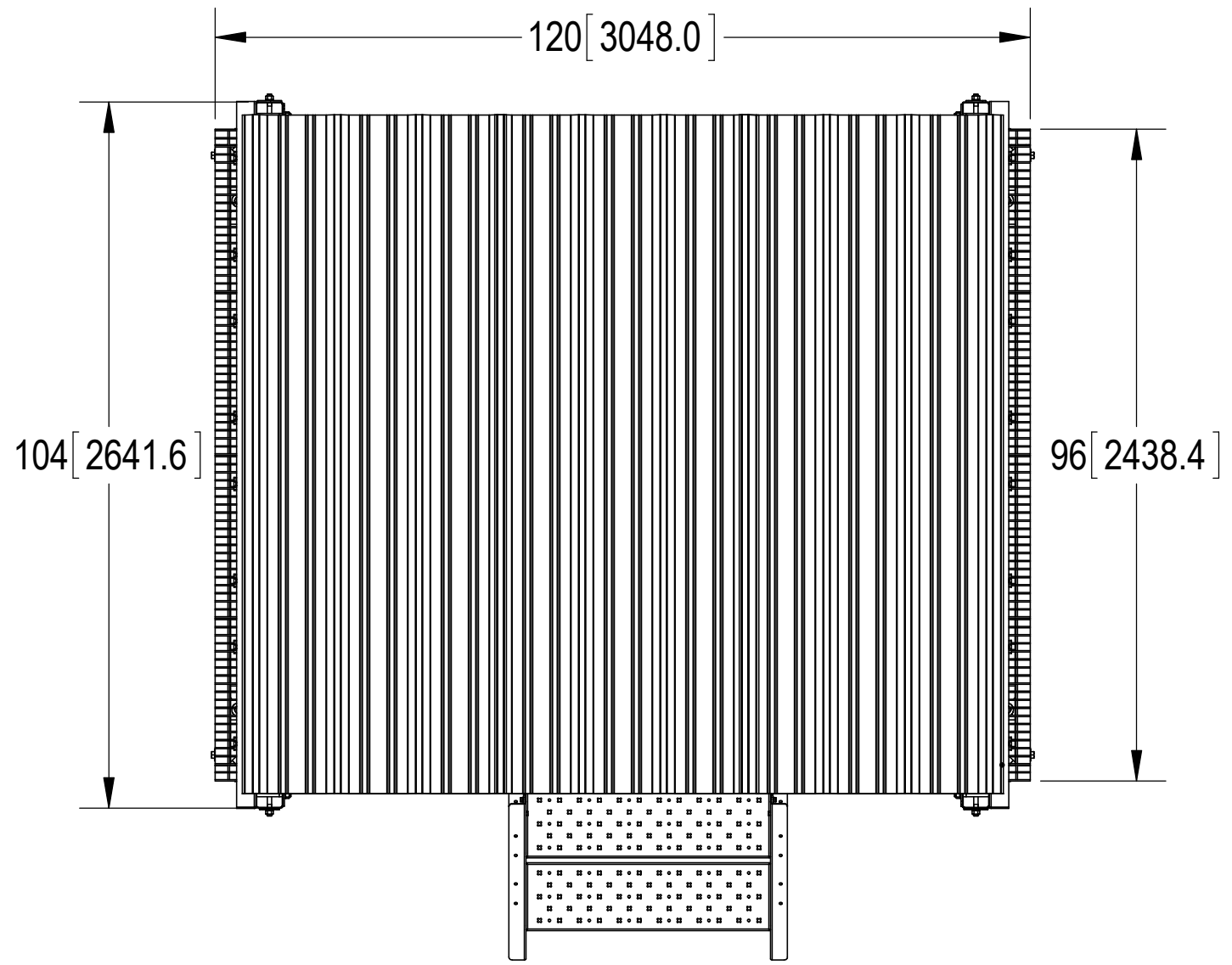
4

3

2

1

NOTES:



COMMSCOPE, INC. OF NORTH CAROLINA				
TITLE				
8X10 PLTFM, 2-STEP, (4) 7'X4" HLCL, CNPY				
SIZE	SCALE	DOCUMENT NO.		
<b>C</b>	<b>1:24</b>	<b>MTC39790704C</b>		
		DRAWING		SHEET
		VERSION	STATUS	REVISION
				<b>B</b>
				2 OF 4

© 2015 CommScope, Inc. Confidential

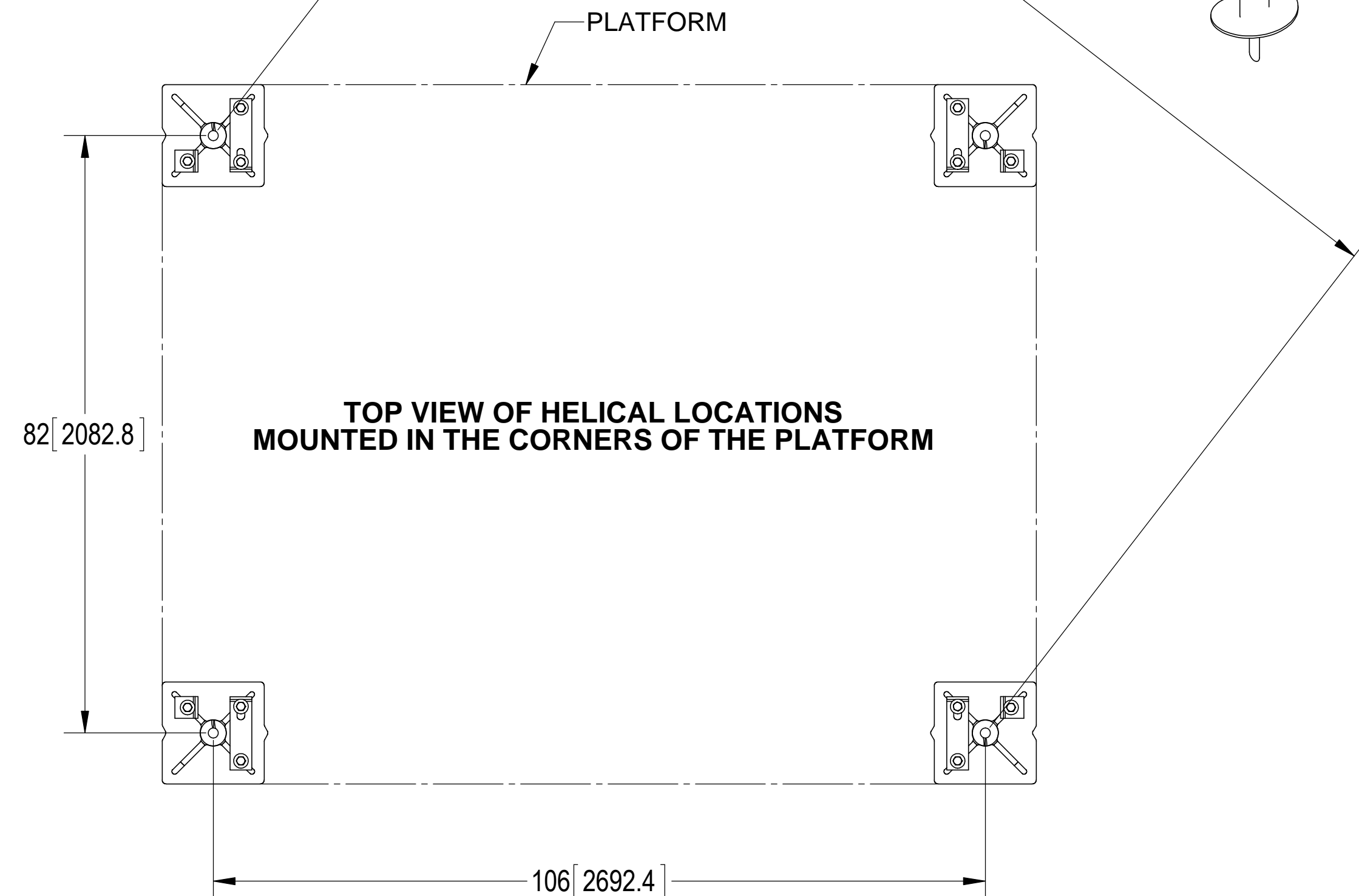
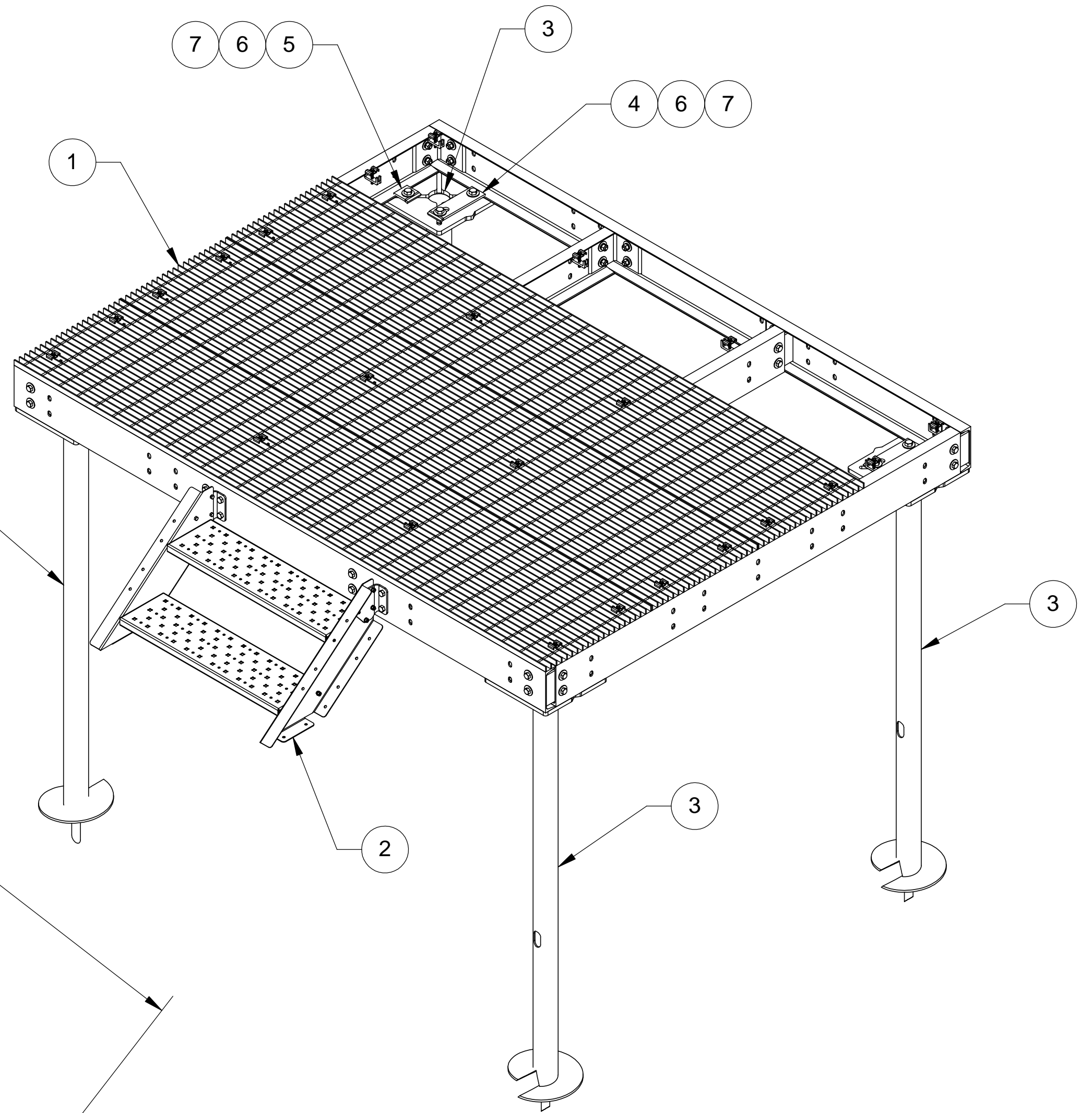
4

3

2

1

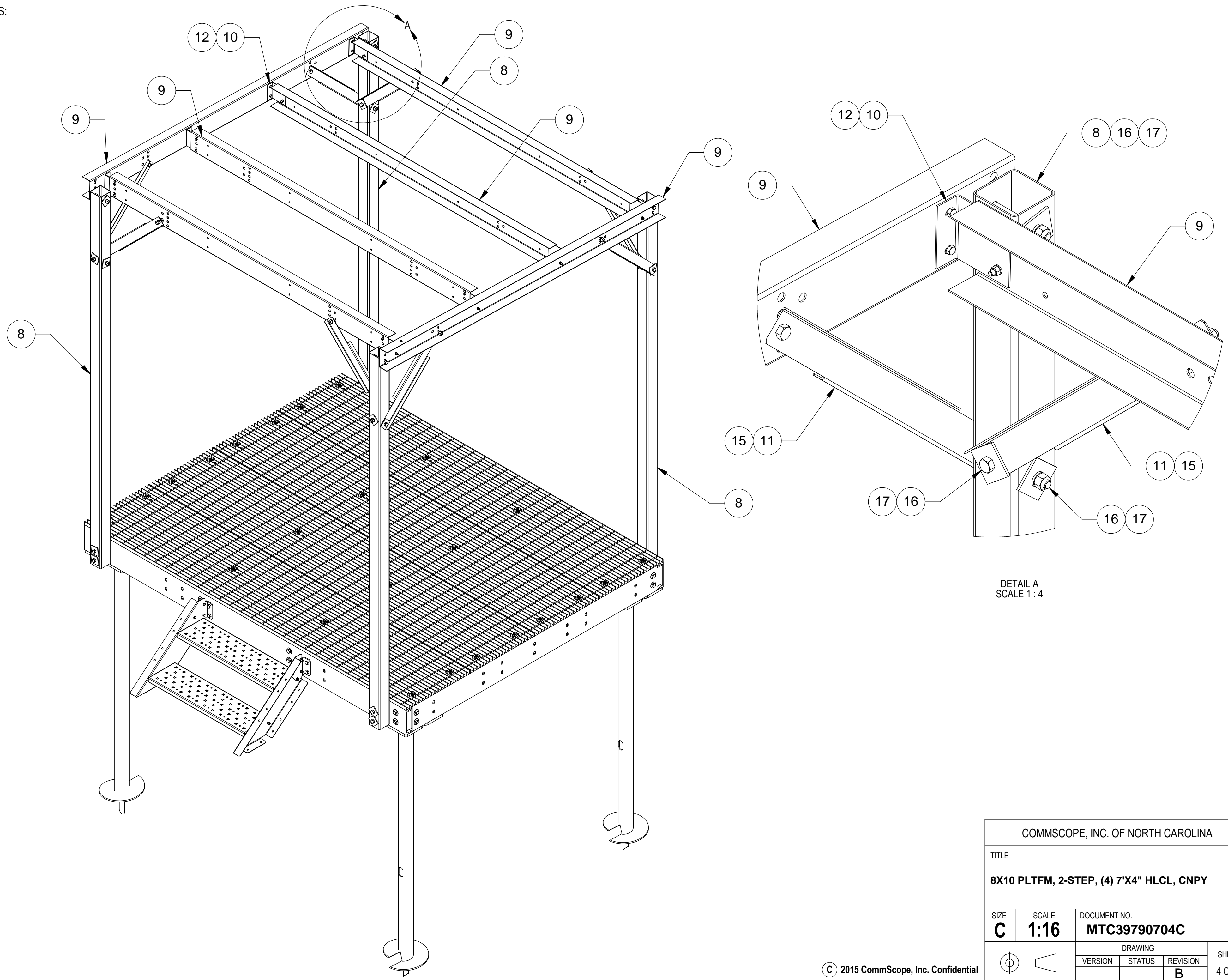
NOTES:



COMMSCOPE, INC. OF NORTH CAROLINA			
TITLE			
<b>8X10 PLTFM, 2-STEP, (4) 7"X4" HLCL, CNPY</b>			
SIZE	SCALE	DOCUMENT NO.	
<b>C</b>	<b>1:16</b>	<b>MTC39790704C</b>	
DRAWING		REVISION	SHEET
VERSION	STATUS	<b>B</b>	3 OF 4

© 2015 CommScope, Inc. Confidential

NOTES:



DETAIL A  
SCALE 1:4

COMMScope, INC. OF NORTH CAROLINA				
TITLE				
<b>8X10 PLTFM, 2-STEP, (4) 7"X4" HLCL, CNPY</b>				
SIZE	SCALE	DOCUMENT NO.		
<b>C</b>	<b>1:16</b>	<b>MTC39790704C</b>		
DRAWING		REVISION		SHEET
VERSION	STATUS	REVISION	4 OF 4	
		<b>B</b>		

© 2015 CommScope, Inc. Confidential