

4

3

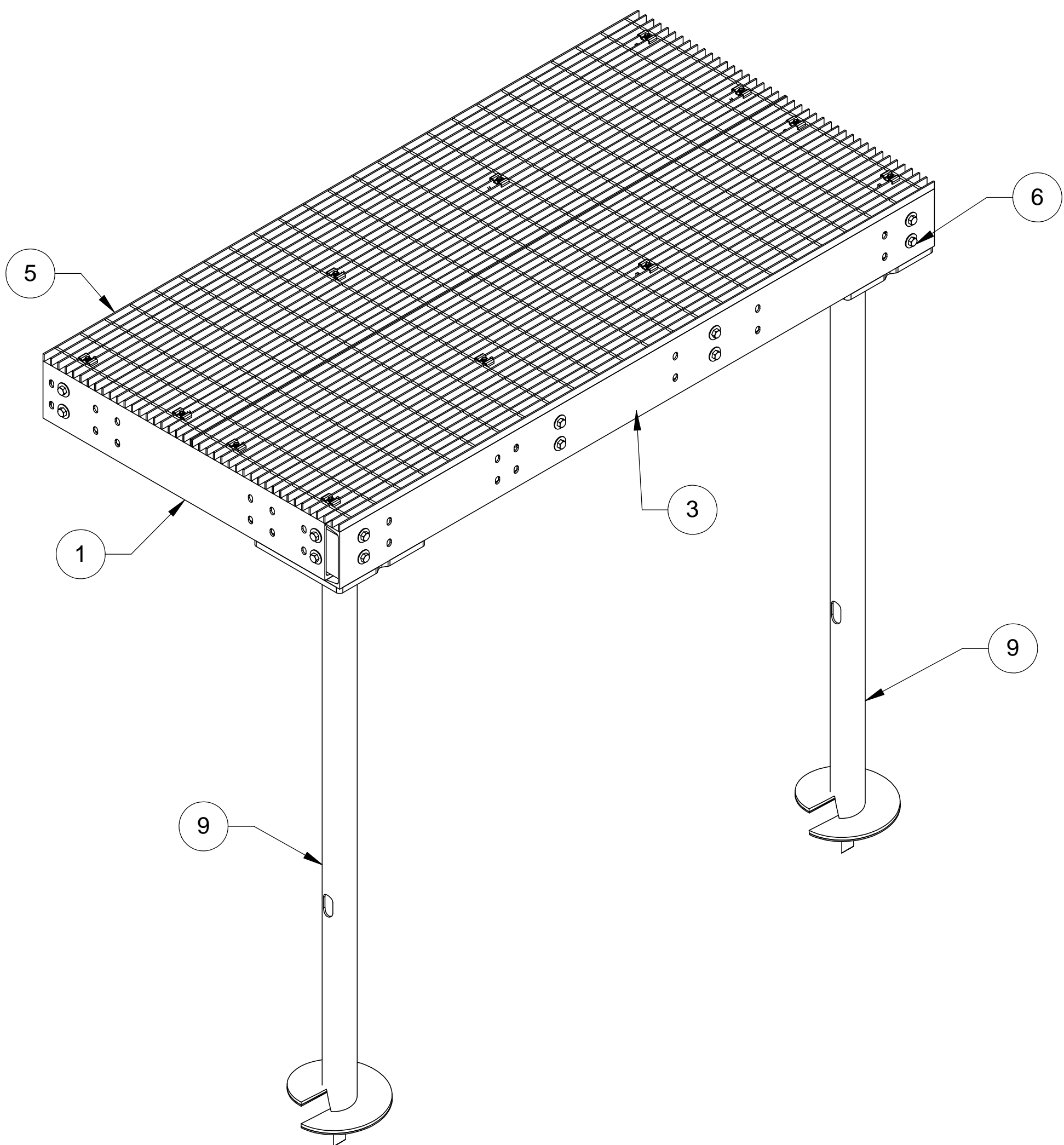
2

1

NOTES:

1.0 ALL METRIC DIMENSIONS ARE IN BRACKETS.

REVISIONS				
REV.	ECN	DESCRIPTION	BY	DATE
A	8000028653	INITIAL RELEASE	RJC	03/05/18



ITEM	PART NO.	DESCRIPTION	QTY.	WEIGHT	NOTE NO.
1	MTC3738E410	CHANNEL, EXTENSION	4	42.69 LBS	
2	MTC790203	CHANNEL ADAPTER ANGLE	6	7.07 LBS	
3	MTC79020808.05	8' SIDE CHANNEL	1	90.60 LBS	
4	MTC3738106	BRACKET, CORNER - WELDMENT	2	8.70 LBS	
5	MTC79020808.03	24" X 96" BAR GRATING	2	114.17 LBS	
6	GB-05205	5/8" X 2" GALV BOLT KIT	32	0.26 LBS	
7	GWF-05	5/8" GALV FLAT WASHER	64	0.06 LBS	
8	GCM03	GRATING CLIP	12	0.44 LBS	
9	ST-HB0704	LIGHTING FOUNDATION 7",4" OD; 14" SQ	2	109.56 LBS	
10	MTC397901	PINCH PLATE	2	0.90 LBS	
11	MTC397902	PINCH PLATE, LONG	2	2.84 LBS	
12	GWF-06	3/4" GALV FLAT WASHER	6	0.10 LBS	
13	GB-06305	3/4" X 3" GALV BOLT KIT	6	0.53 LBS	

DENSITY	0.28	lbs/in <sup>3</sup>
MASS	2553.56	lbs
VOLUME	9036.21	in <sup>3</sup>
SURFACE AREA		in <sup>2</sup>
HEIGHT		
LENGTH		
WIDTH		

**COMMSCOPE, INC. OF NORTH CAROLINA**

TOLERANCES		SAP MATERIAL MASTER	
0 PLACE X ± .25	2 PLACE .XX ± .06	<b>MTC3982G0704</b>	
1 PLACE .X ± .12	ANGLES ± 2°		
FINISH		MATERIAL	
<b>GALV A123</b>		A1011/A1018, A500, A529, A572	
UNLESS OTHERWISE SPECIFIED DIMENSIONS ARE IN MILLIMETERS INTERPRET PER ISO STANDARDS HANDBOOK TECHNICAL DRAWINGS VOLUMES 1 & 2, THIRD EDITION (2002)	NAME	DATE	TITLE
	CE <b>RJC</b>	02/28/18	<b>4X8 PLATFORM EXT KIT, W/2 7"X4" HELICAL</b>
	RW		
	RV		
	AD		
RE <b>TP</b>	02/28/18	SCALE	DOCUMENT NO.
ECN <b>8000028653</b>	<b>1:12</b>	<b>MTC3982G0704</b>	
SIZE	WORK AREA	MODEL	
<b>C</b>		VERSION	STATUS
		REVISION	REVISION
		REVISION	REVISION
		DRAWING	
		VERSION	STATUS
		REVISION	REVISION
		REVISION	REVISION
		<b>A</b>	
		SHEET 1 OF 4	

4

3

2

1

4

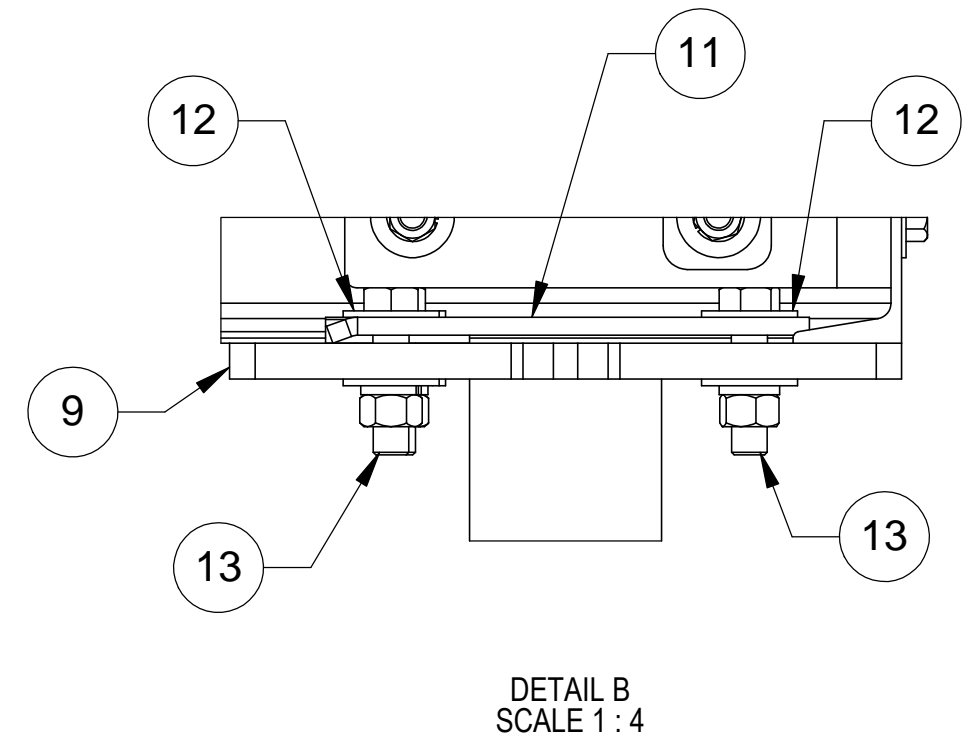
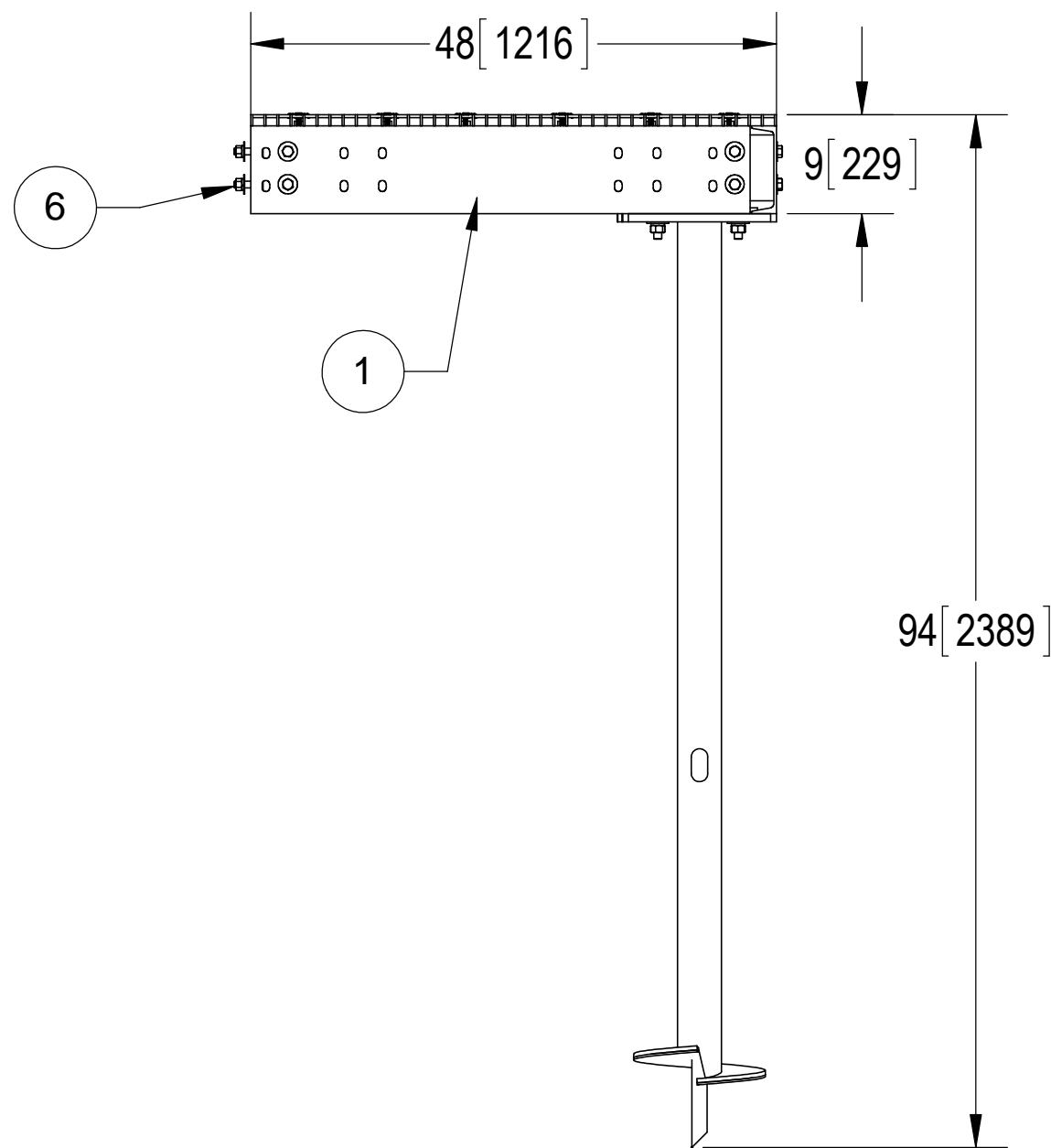
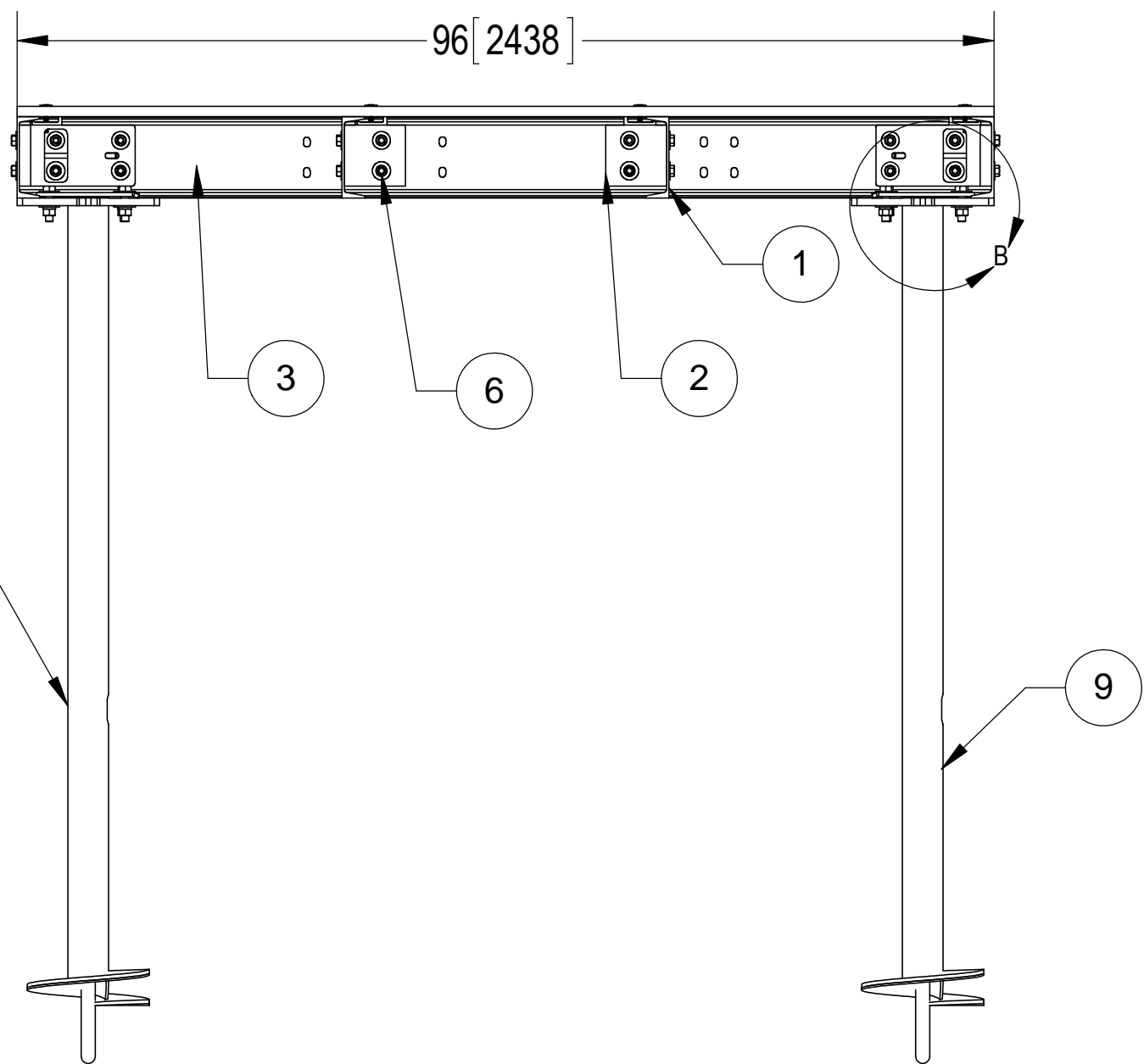
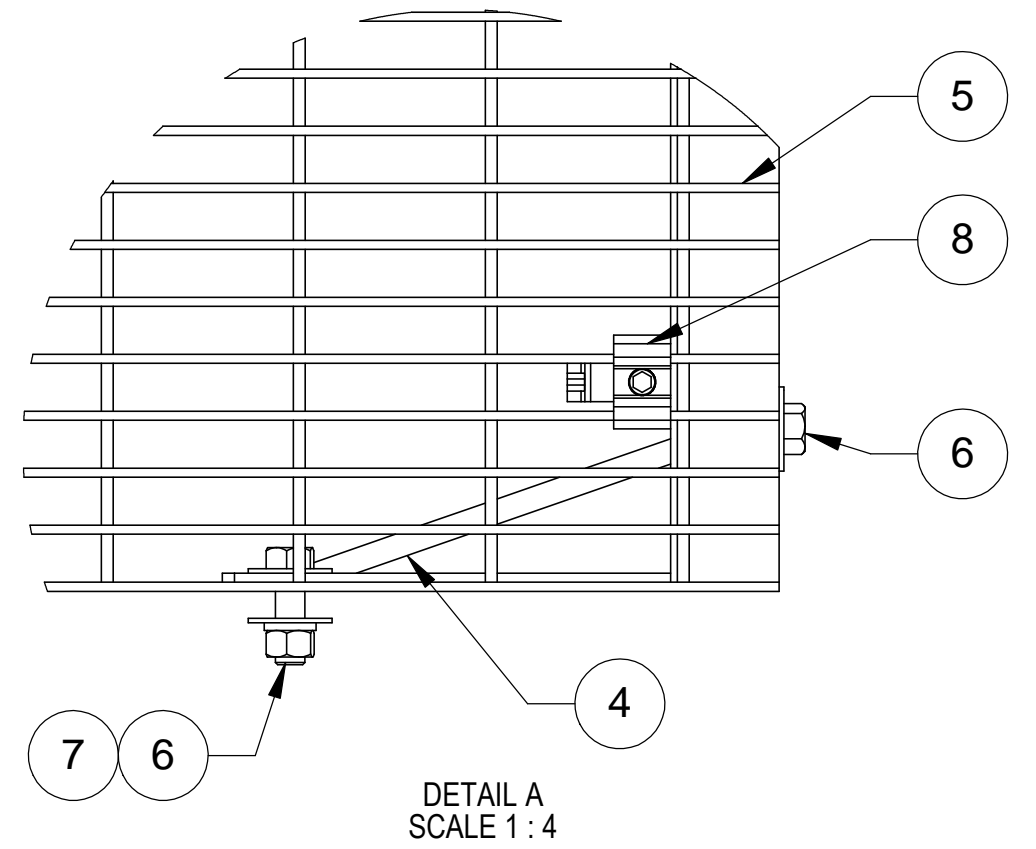
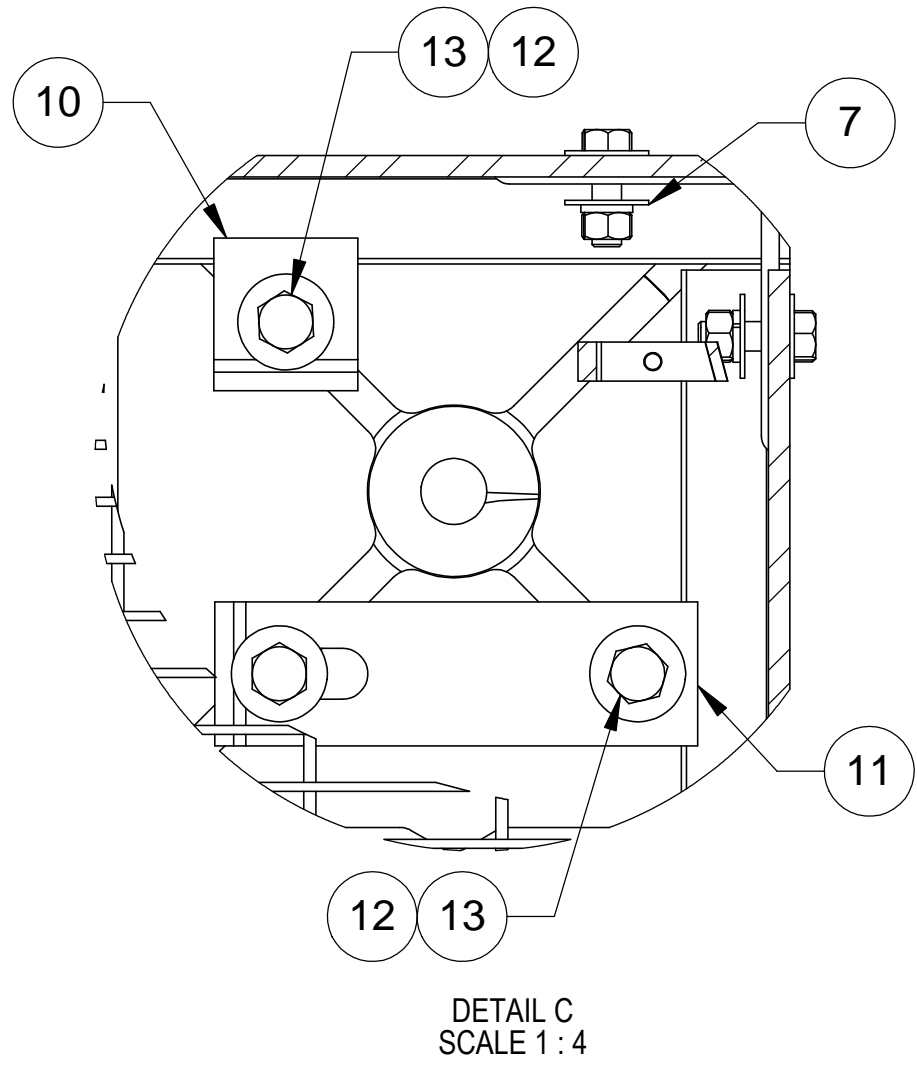
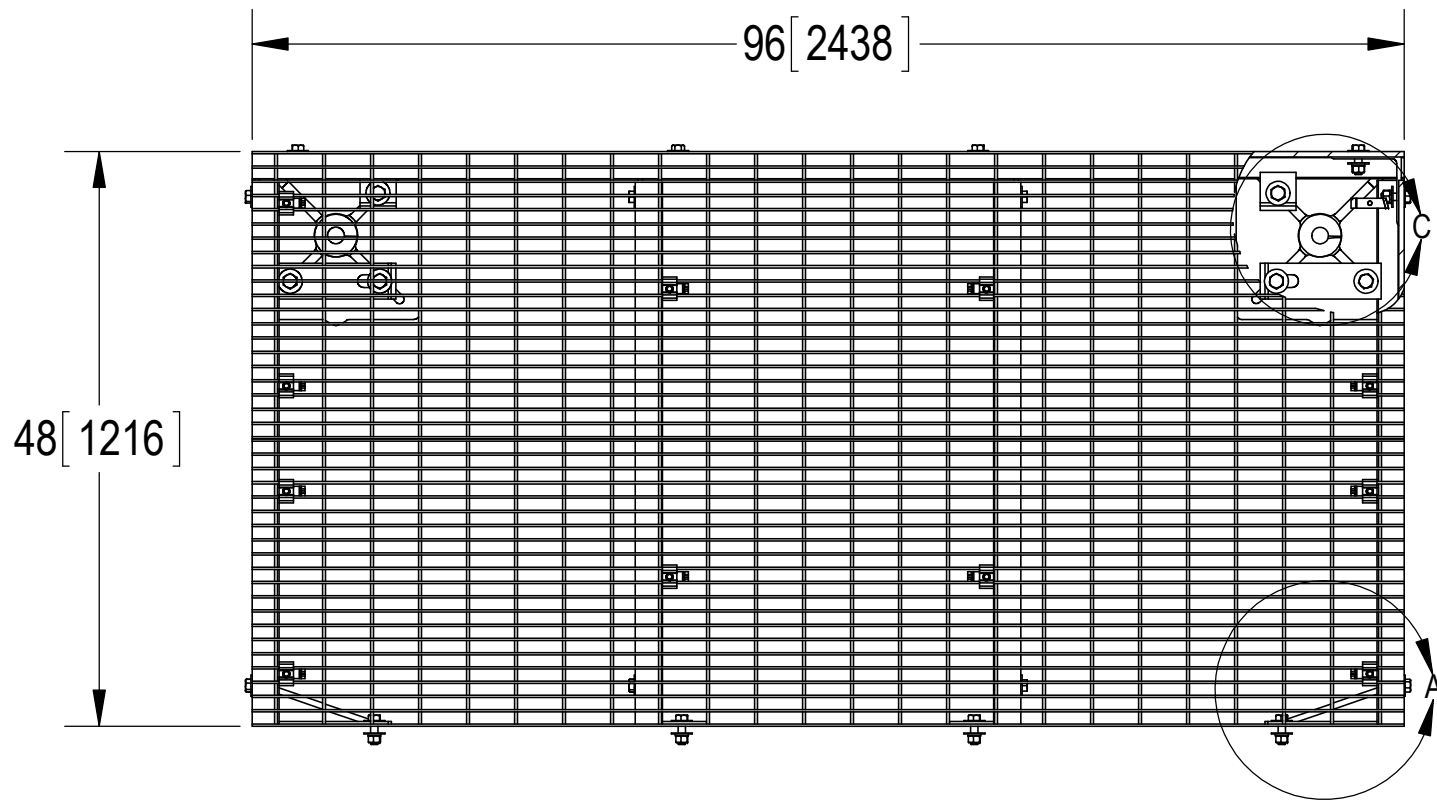
3

2

1

NOTES:

1.0 ALL METRIC DIMENSIONS ARE IN BRACKETS.



COMMSCOPE, INC. OF NORTH CAROLINA				
TITLE <b>4X8 PLATFORM EXT KIT, W/2 7'X4" HELICAL</b>				
SIZE <b>C</b>	SCALE <b>1:16</b>	DOCUMENT NO. <b>MTC3982G0704</b>		
DRAWING		VERSION	STATUS	REVISION
				<b>A</b>
				SHEET 2 OF 4

4

3

2

1

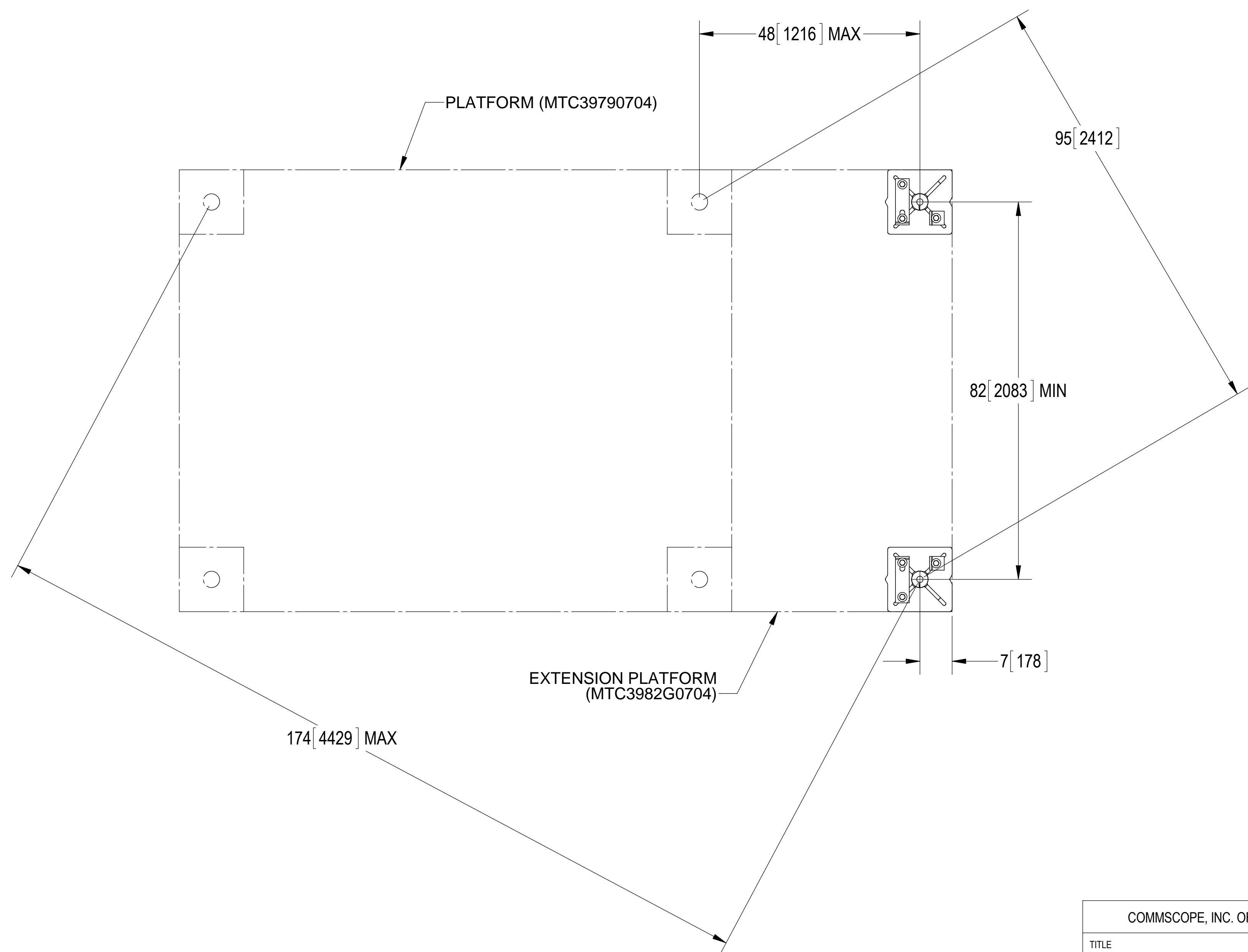
4

3

2

1

NOTES:  
1.0 ALL METRIC DIMENSIONS ARE IN BRACKETS.



**TOP VIEW OF HELICAL LOCATIONS  
MOUNTED IN THE CORNERS OF THE PLATFORM**

COMMSCOPE, INC. OF NORTH CAROLINA			
TITLE			
4X8 PLATFORM EXT KIT, W/2 7'X4" HELICAL			
SIZE	SCALE	DOCUMENT NO.	
C	1:16	MTC3982G0704	
DRAWING			SHEET
VERSION	STATUS	REVISION	3 OF 4
		A	

© 2015 CommScope, Inc. Confidential

4

3

2

1

D

D

C

C

B

B

A

A

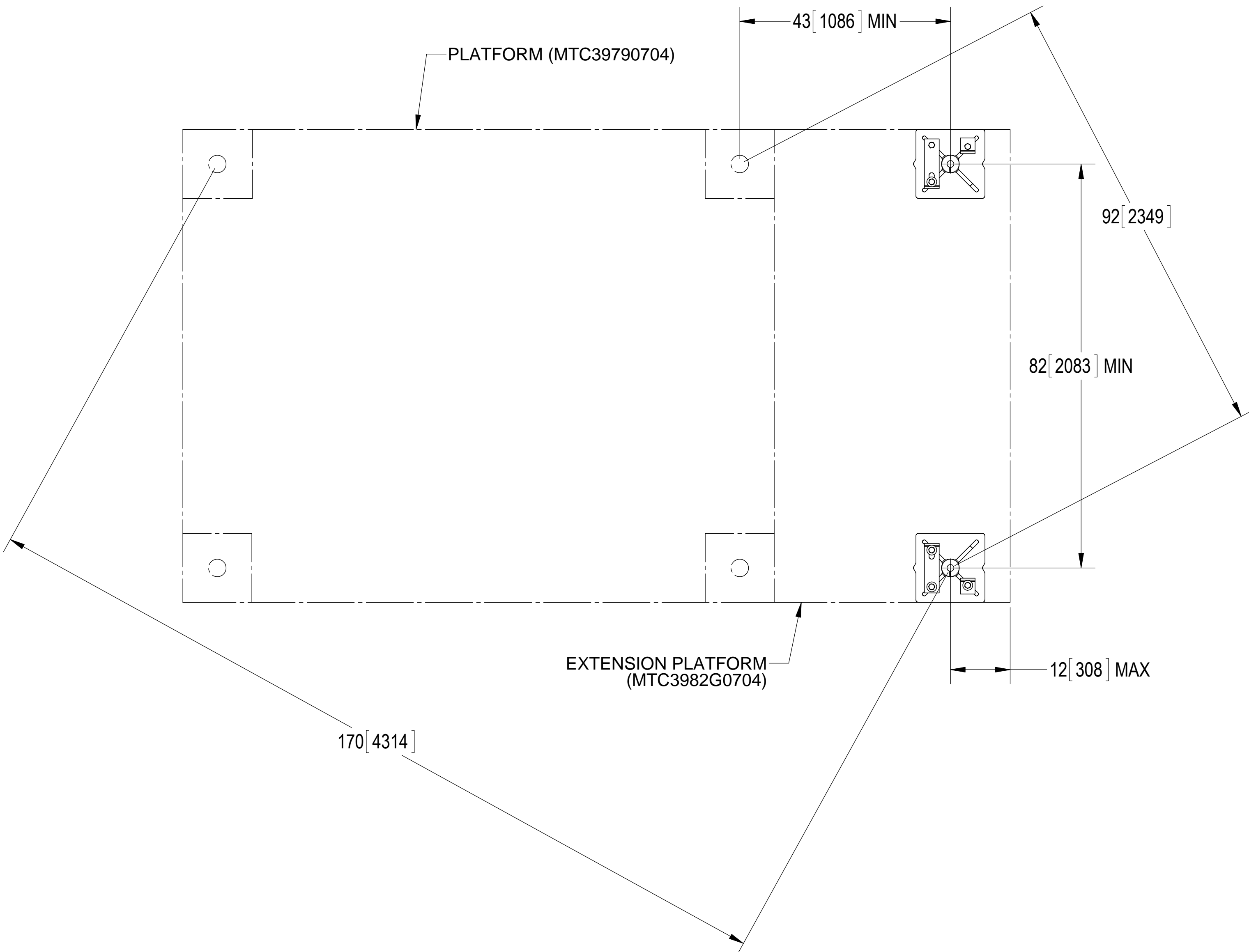
4

3

2

1

NOTES:  
1.0 ALL METRIC DIMENSIONS ARE IN BRACKETS.



### TOP VIEW OF HELICAL LOCATIONS MOUNTED IN FROM CORNERS OF THE PLATFORM

COMMSCOPE, INC. OF NORTH CAROLINA			
TITLE			
4X8 PLATFORM EXT KIT, W/2 7'X4" HELICAL			
SIZE	SCALE	DOCUMENT NO.	
C	1:16	MTC3982G0704	
		DRAWING	
		VERSION	STATUS
		REVISION	
		A	
			SHEET
			4 OF 4

4

3

2

1

D

D

C

C

B

B

A

A