

4

3

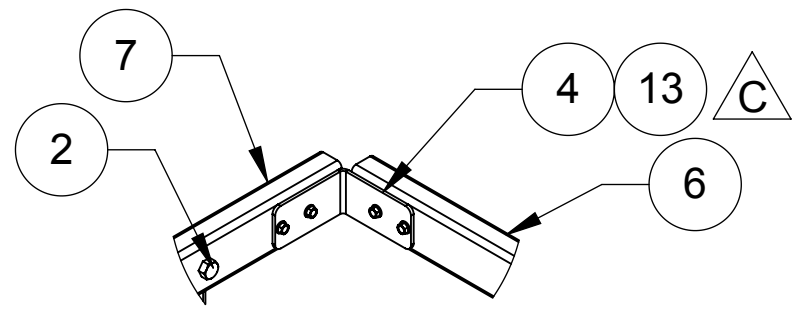
2

1

NOTES:

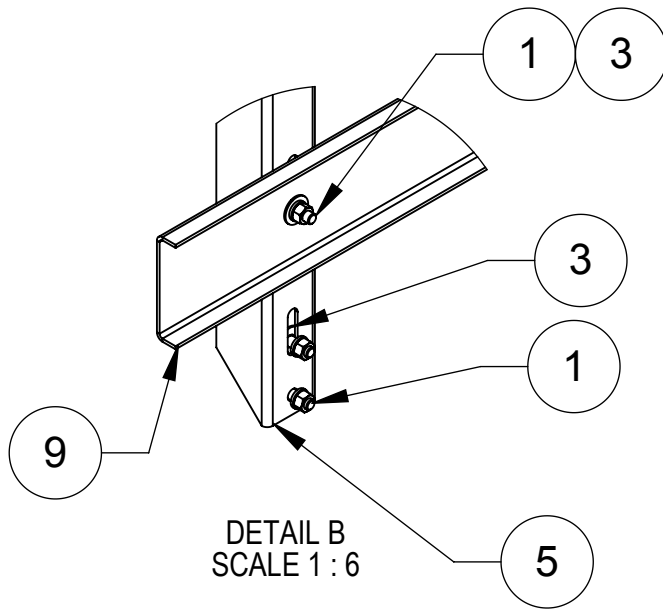
- 1.0 GENERAL
  - 1.1 ALL METRIC DIMENSIONS ARE IN BRACKETS
- 2.0 DESIGN NOTES
- 3.0 MANUFACTURING/SPECIAL REQUIRMENTS
- 4.0 TEST
- 5.0 PACKAGING

REVISIONS				
REV.	ECN	DESCRIPTION	BY	DATE
A	8000030686	INITIAL RELEASE	MRC	07/09/18
B	8000032435	ADDED VIEWS TO HELP ASSEMBLY	MRC	11/15/18
C	8000033449	UPDATED HARDWARE AND DRAWING VIEWS	MRC	01/15/19

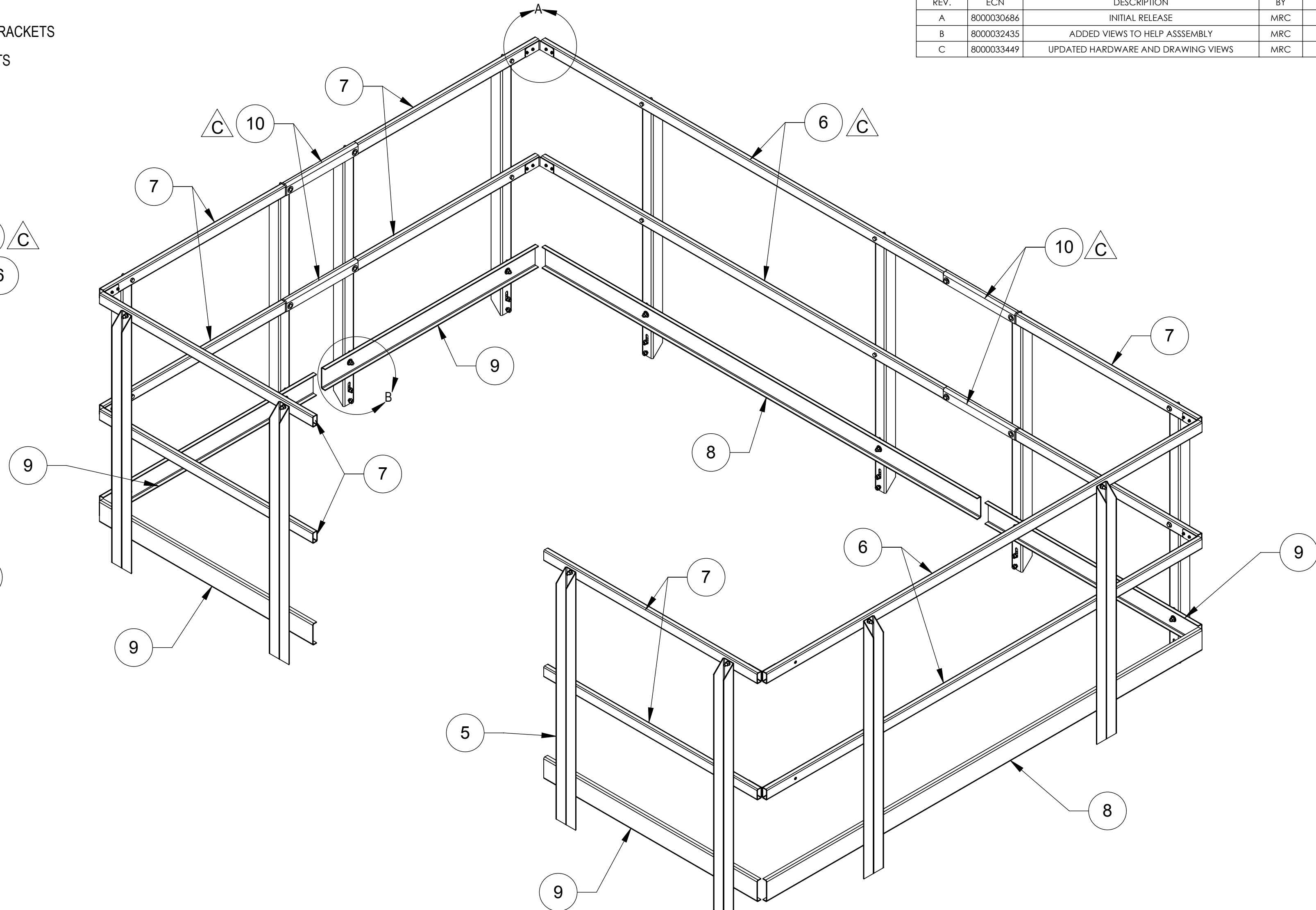


ALL CORNER'S HANDRAIL

DETAIL A  
SCALE 1:6



DETAIL B  
SCALE 1:6



ITEM	PART NO.	DESCRIPTION	QTY.	WEIGHT	NOTE NO.
1	GB-03105	3/8" X 1" GALV BOLT KIT	42	0.05 LBS	
2	GB-03205	3/8" X 2" GALV BOLT KIT	30	0.08 LBS	
3	GW-F-03	3/8" GALV FLAT WASHER	36	0.01 LBS	
4	MTC3979HR19	ANGLE BRKT, HANDRAIL	8	0.32 LBS	
5	MTC403721	POST, HANDRAIL	14	9.98 LBS	
6	MTC40378816	HANDRAIL, HORIZONTAL, 94"	4	16.79 LBS	
7	MTC4037HR14	HANDRAIL, HORIZONTAL, 46"	10	8.22 LBS	
8	MTC4037HR15	PLATE, HANDRAIL TOEBOARD	2	16.58 LBS	
9	MTC4037HR16	PLATE, HANDRAIL TOEBOARD	5	8.11 LBS	
10	MTC4037HR21	FORMED ANGLE, HANDRAIL STIFFENER	4	2.08	
11	MTC9410WFW	5/16 GALV. FLAT WASHER	9	0.01 LBS	
12	TS1220	12-24 X 2" SELF DRILLING SCREW	12	0.03 LBS	
13	TS1288	12-24 X 7/8" SELF DRILLING SCREW	32	0.01	

<b>COMMSCOPE, INC. OF NORTH CAROLINA</b>					
TOLERANCES			SAP MATERIAL MASTER		
0 PLACE X ± .25			2 PLACE .XX ± 0.06	<b>MTC4038HR</b>	
1 PLACE X ± 0.12			ANGLES ± 2°		
FINISH GALV A123			MATERIAL A1011/A1018, A500		
UNLESS OTHERWISE SPECIFIED DIMENSIONS ARE IN INCHES INTERPRET PER ANSI Y 14.5M-1994	NAME	DATE	TITLE		
	CE MRC	06/27/18	8X12 PLATFORM, HANDRAIL W TOE BOARD		
	RW MC1107	01/17/2019	SCALE DOCUMENT NO.		
	RV RD1048	01/25/2019	1:12 <b>MTC4038HR</b>		
	RE MC1107	01/25/2019	ECN 008000033449		
DENSITY	0	lbs/in <sup>3</sup>	SIZE WORK AREA 24		
MASS	2869	lbs	MODEL		
VOLUME		in <sup>3</sup>	VERSION STATUS REVISION		
SURFACE AREA		in <sup>2</sup>	DRAWING		
HEIGHT			VERSION STATUS REVISION		
LENGTH			SHEET		
WIDTH			1 OF 6		

4

3

2

1

4

3

2

1

NOTES:

D

D

C

C

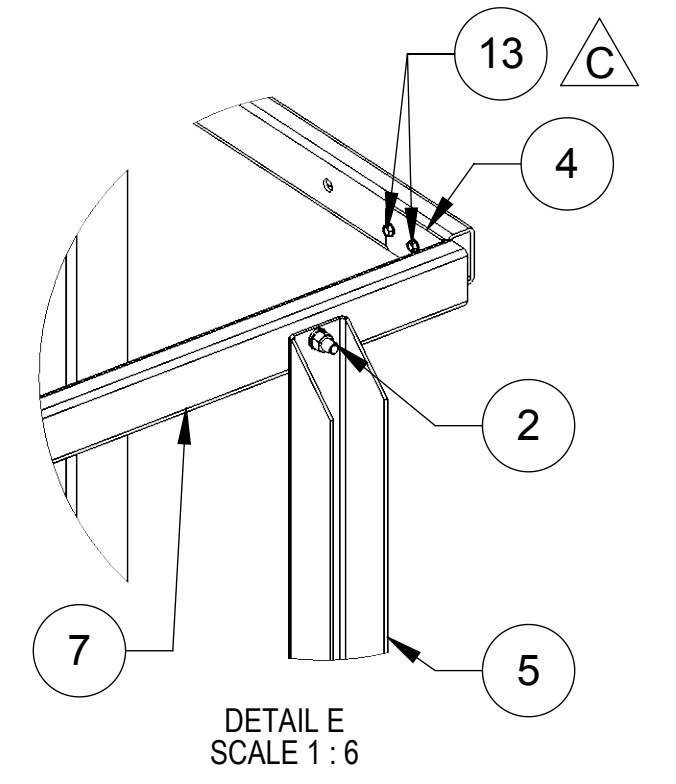
B

B

A

A

WHEN CANOPY IS USED  
 REMOVE POST AND TECH  
 SCREW HANDRAIL INTO 4"  
 CANOPY POST. TWO TS1275  
 SCREWS PER POST



WHEN CANOPY IS USED  
 REMOVE POST AND TECH  
 SCREW HANDRAIL INTO 4"  
 CANOPY POST. TWO TS1275  
 SCREWS PER POST

REMOVE FOR  
 OPTION STAIR  
 LOCATION

REMOVE FOR  
 OPTION STAIR  
 LOCATION

WHEN CANOPY IS USED  
 REMOVE POST AND TECH  
 SCREW HANDRAIL INTO 4"  
 CANOPY POST. TWO TS1275  
 SCREWS PER POST

36" FLIP STEP SHOWN  
 FOR REFERENCE ONLY

BASE PLATFORM SHOWN  
 FOR REFERENCE ONLY

COMMSCOPE, INC. OF NORTH CAROLINA				
TITLE 8X12 PLATFORM, HANDRAIL W TOE BOARD				
SIZE C	SCALE 1:12	DOCUMENT NO. MTC4038HR		
		DRAWING		SHEET
		VERSION	STATUS	REVISION
		02	RE	C
				2 OF 6

4

3

2

1

4

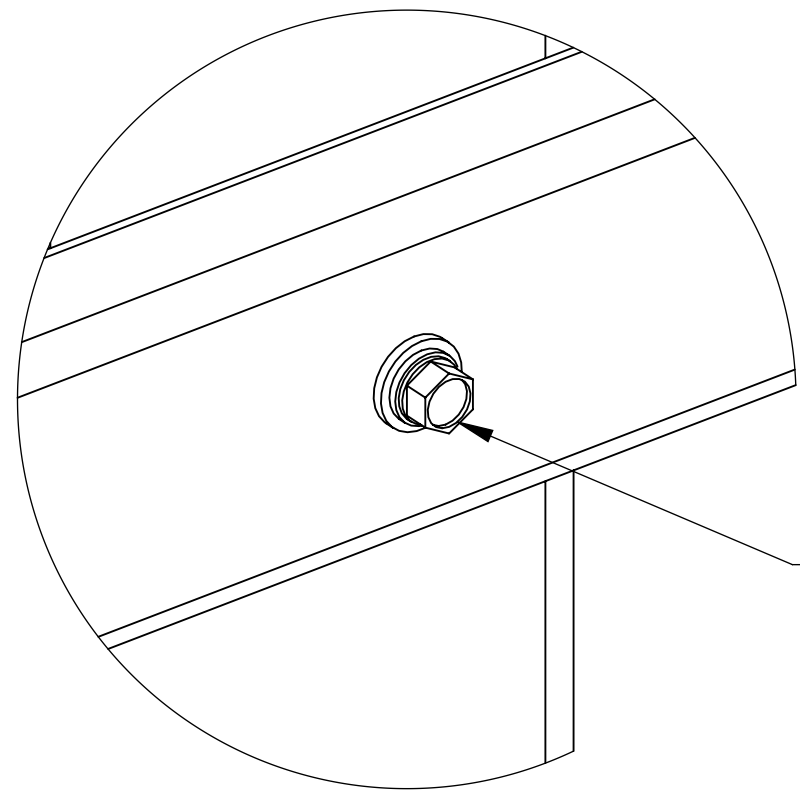
3

2

1

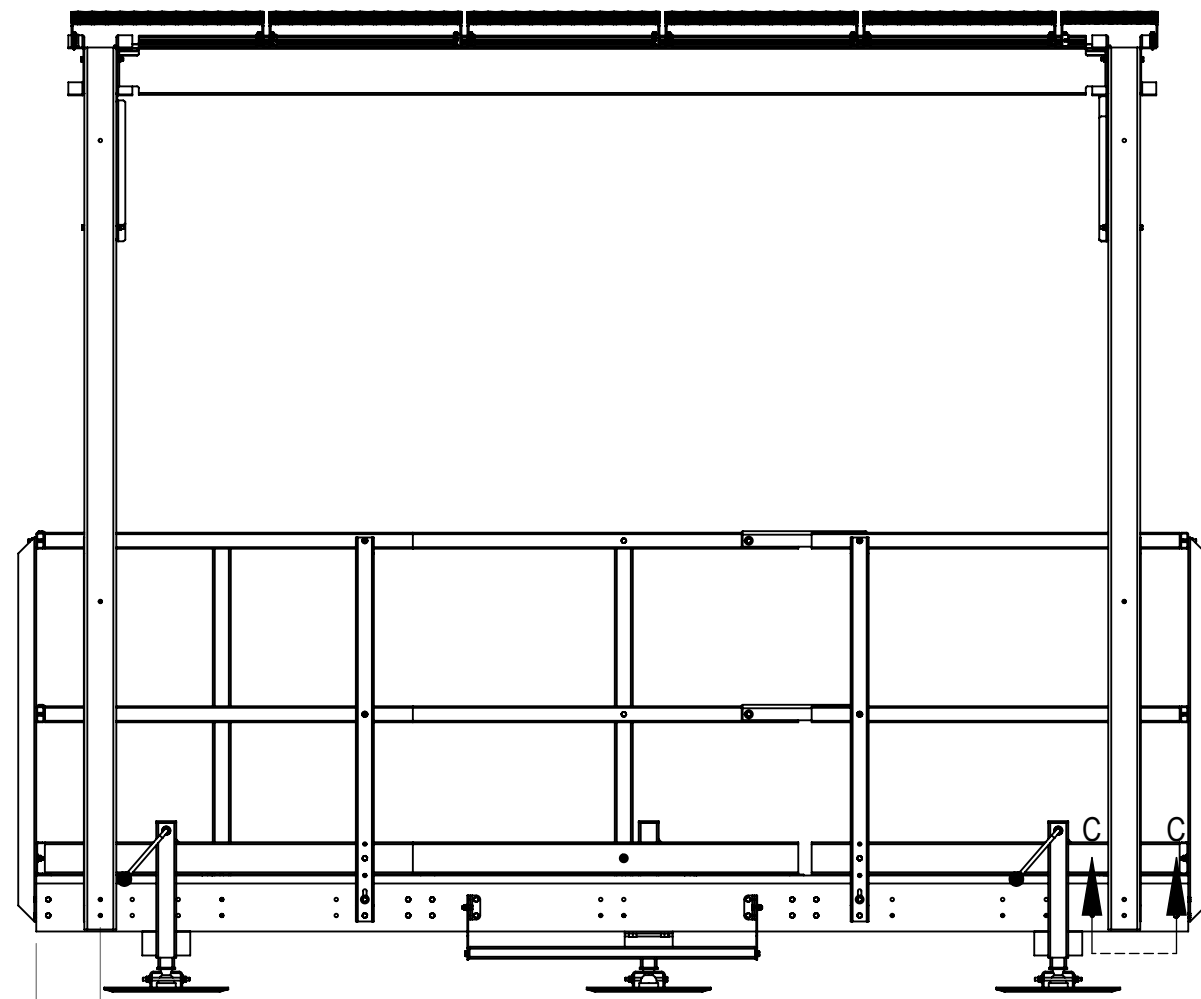
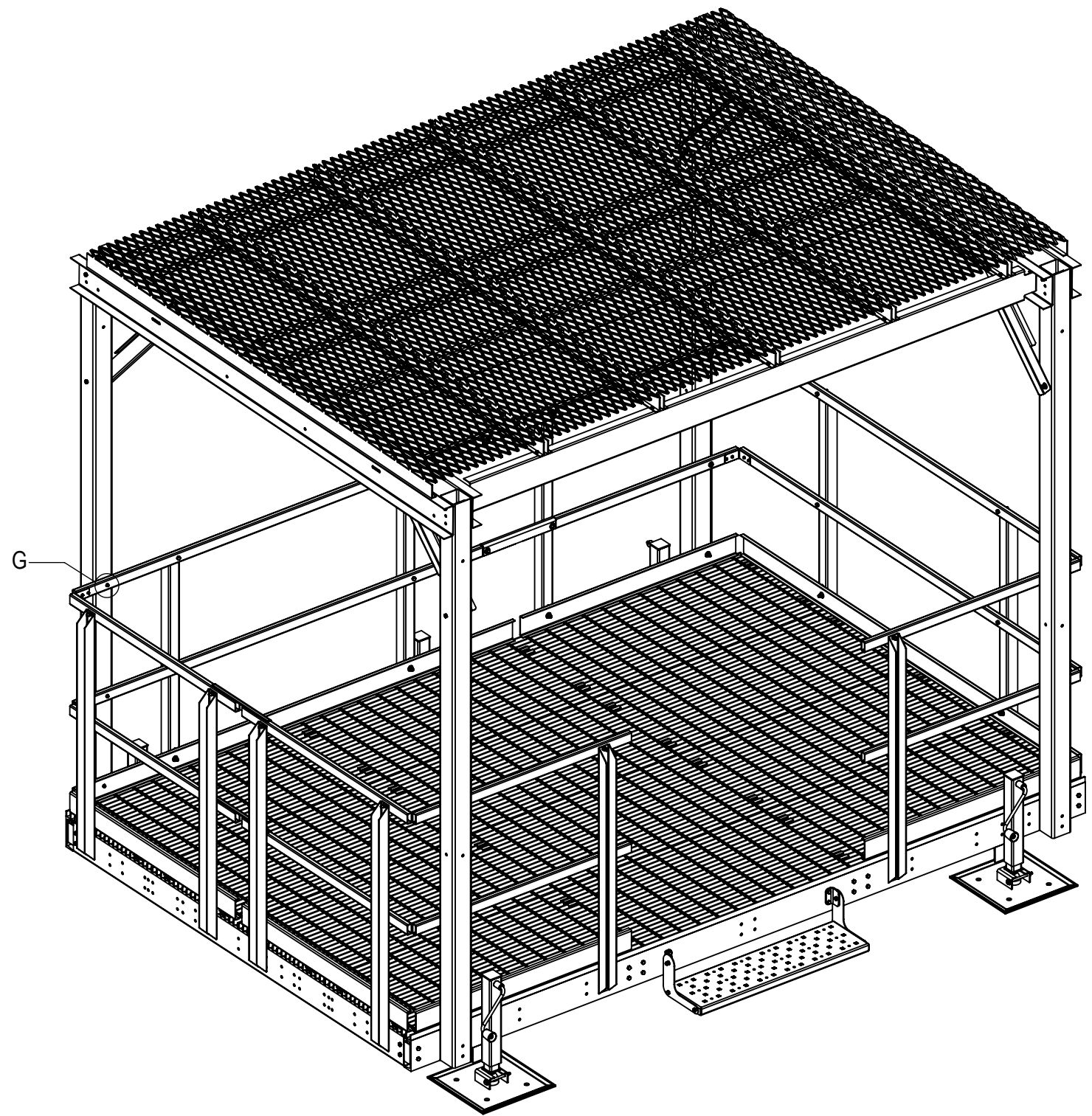
NOTES:

CANOPY SHOWN FOR REFERENCE ONLY  
SOLD SEPARATELY

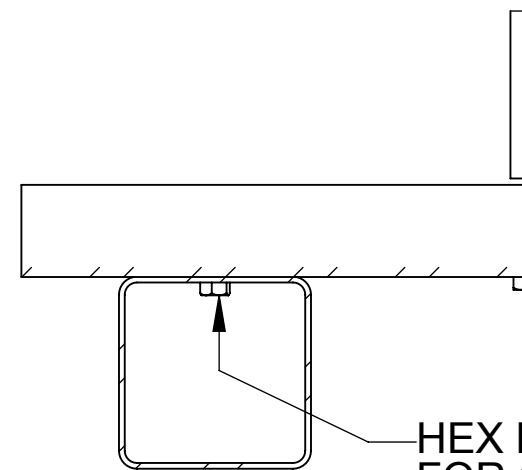


12  $\triangle$  C  
TS1220 SCREW  
THREE SCREWS PER  
POST.  
BACK SIDE  
3 PLACES

DETAIL G  
SCALE 1:1



8.0 [203.5]  
TYP ALL FOUR  
CANOPY POSTS

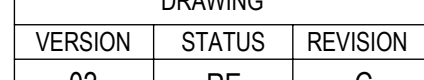
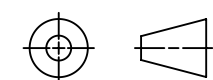


HEX BOLTS  
FOR CANOPY  
TYPICAL

SECTION C-C  
SCALE 1:4

COMMSCOPE, INC. OF NORTH CAROLINA				
TITLE 8X12 PLATFORM, HANDRAIL W TOE BOARD				
SIZE C	SCALE 1:24	DOCUMENT NO. MTC4038HR		
		DRAWING		SHEET
		VERSION	STATUS	REVISION
		02	RE	C
				3 OF 6

© 2018 CommScope, Inc.



4

3

2

1

↑

4

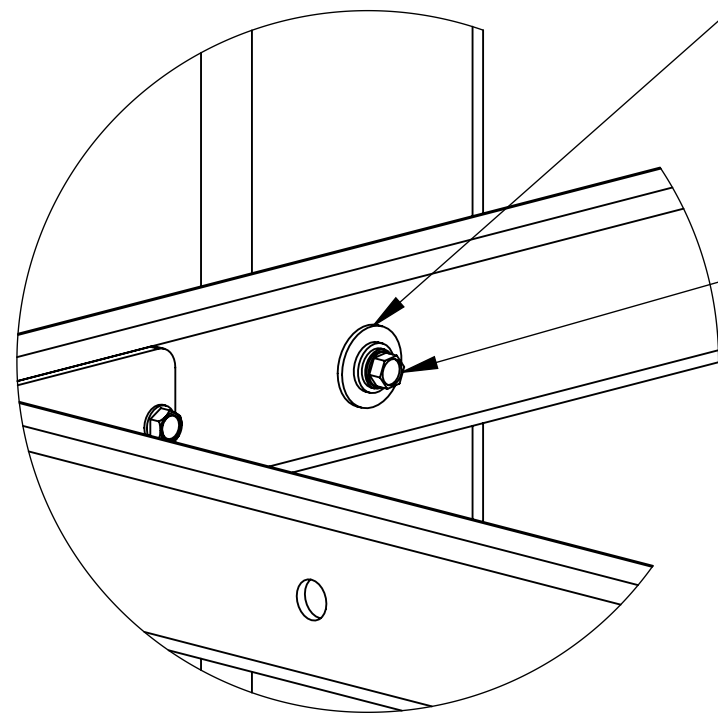
3

2

1

NOTES:

CANOPY SHOWN FOR REFERENCE ONLY  
SOLD SEPARATELY

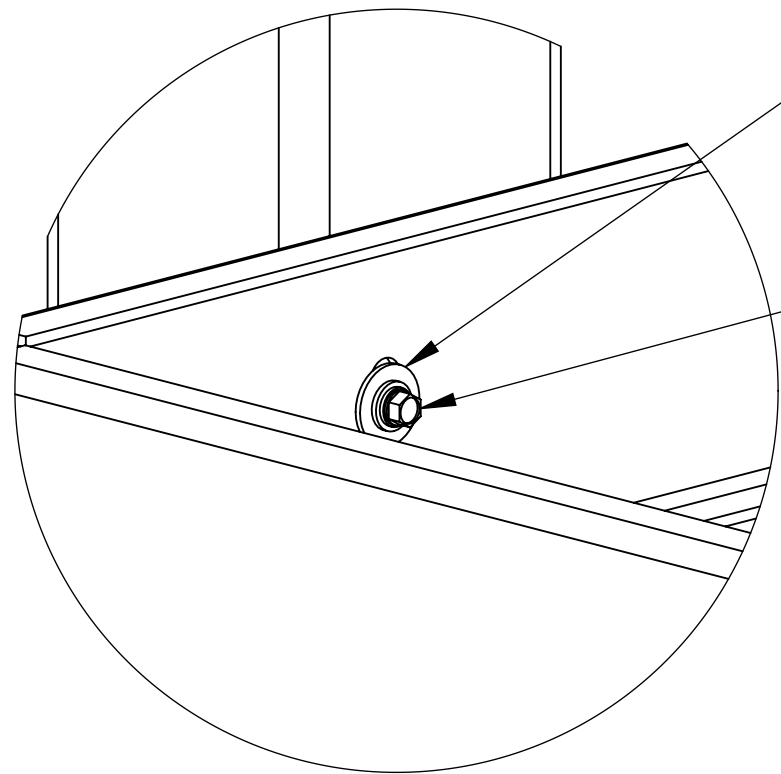


MTC9410WFW  
5/16" FLAT WASHER  
6 PLACES

12 11

TS1220  
PUT THRU EXISTING  
HOLE ON HANDRAIL  
9 PLACES

DETAIL H  
SCALE 1:2

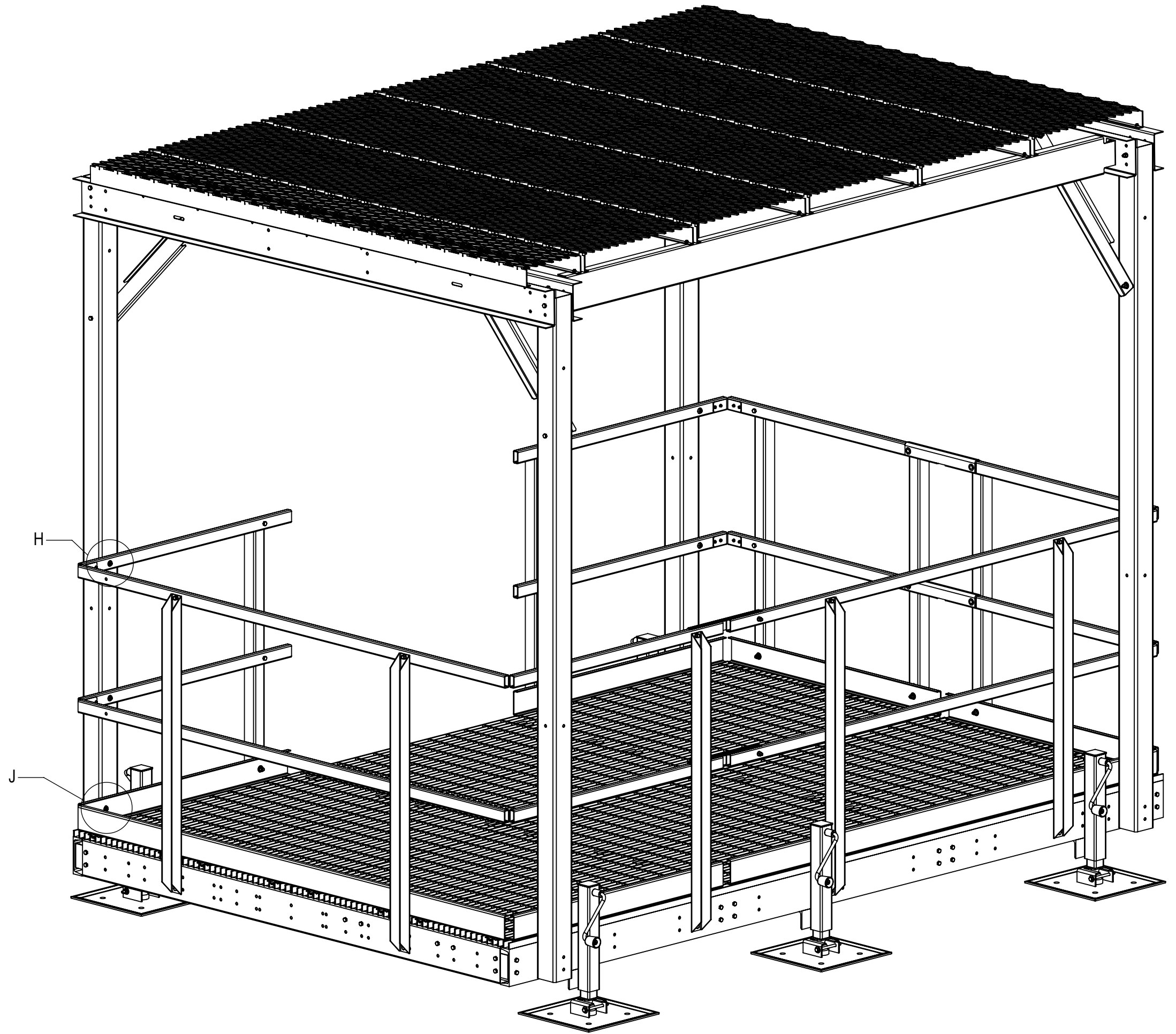


MTC9410WFW  
5/16" FLAT WASHER  
3 PLACES

12 11

TS1220  
PUT THRU EXISTING  
HOLE ON HANDRAIL  
4 PLACES

DETAIL J  
SCALE 1:2



COMMSCOPE, INC. OF NORTH CAROLINA				
TITLE 8X12 PLATFORM, HANDRAIL W TOE BOARD				
SIZE C	SCALE 1:16	DOCUMENT NO. MTC4038HR		
		DRAWING		SHEET
		VERSION	STATUS	REVISION
		02	RE	C
				4 OF 6

© 2018 CommScope, Inc.

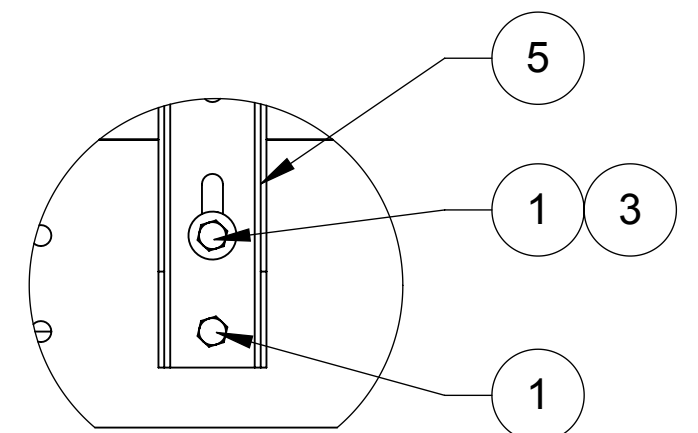
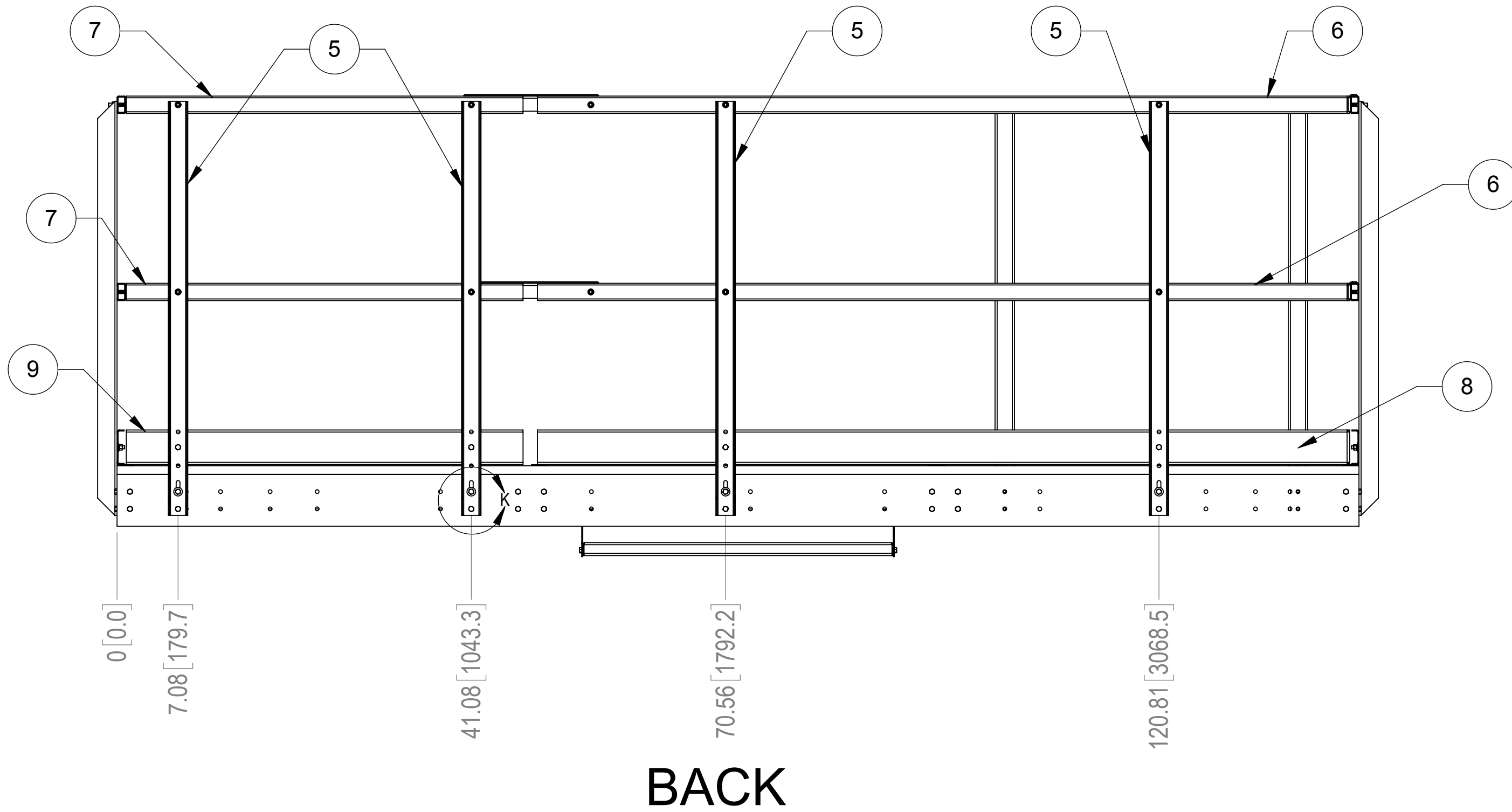
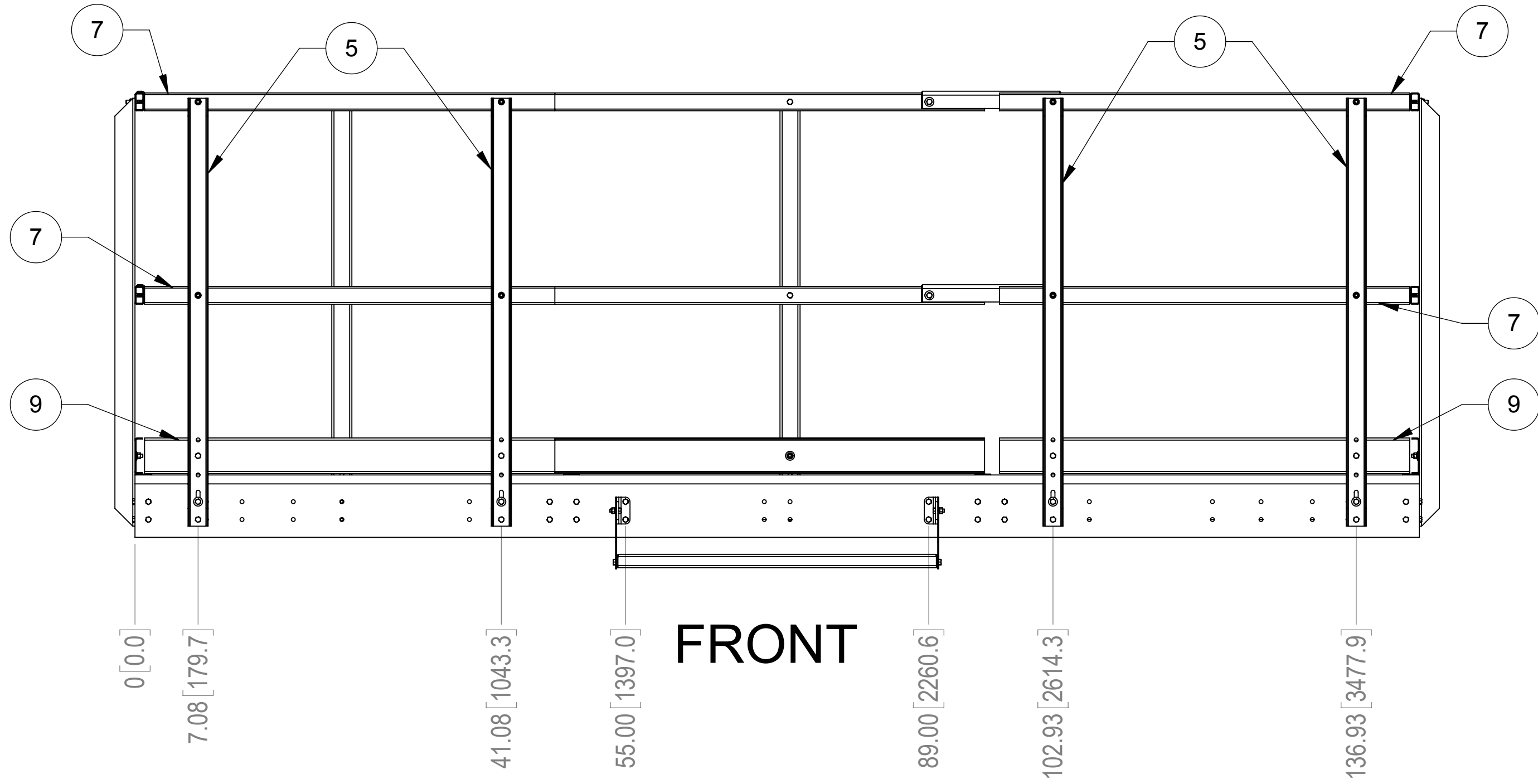
4

3

2

1


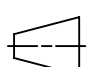
NOTES:



TYPICAL ALL HANDRAIL POSTS

DETAIL K  
SCALE 1:4



COMMSCOPE, INC. OF NORTH CAROLINA				
TITLE 8X12 PLATFORM, HANDRAIL W TOE BOARD				
SIZE <b>C</b>	SCALE <b>1:12</b>	DOCUMENT NO. MTC4038HR		
 		DRAWING		SHEET
		VERSION 02	STATUS RE	REVISION C

4

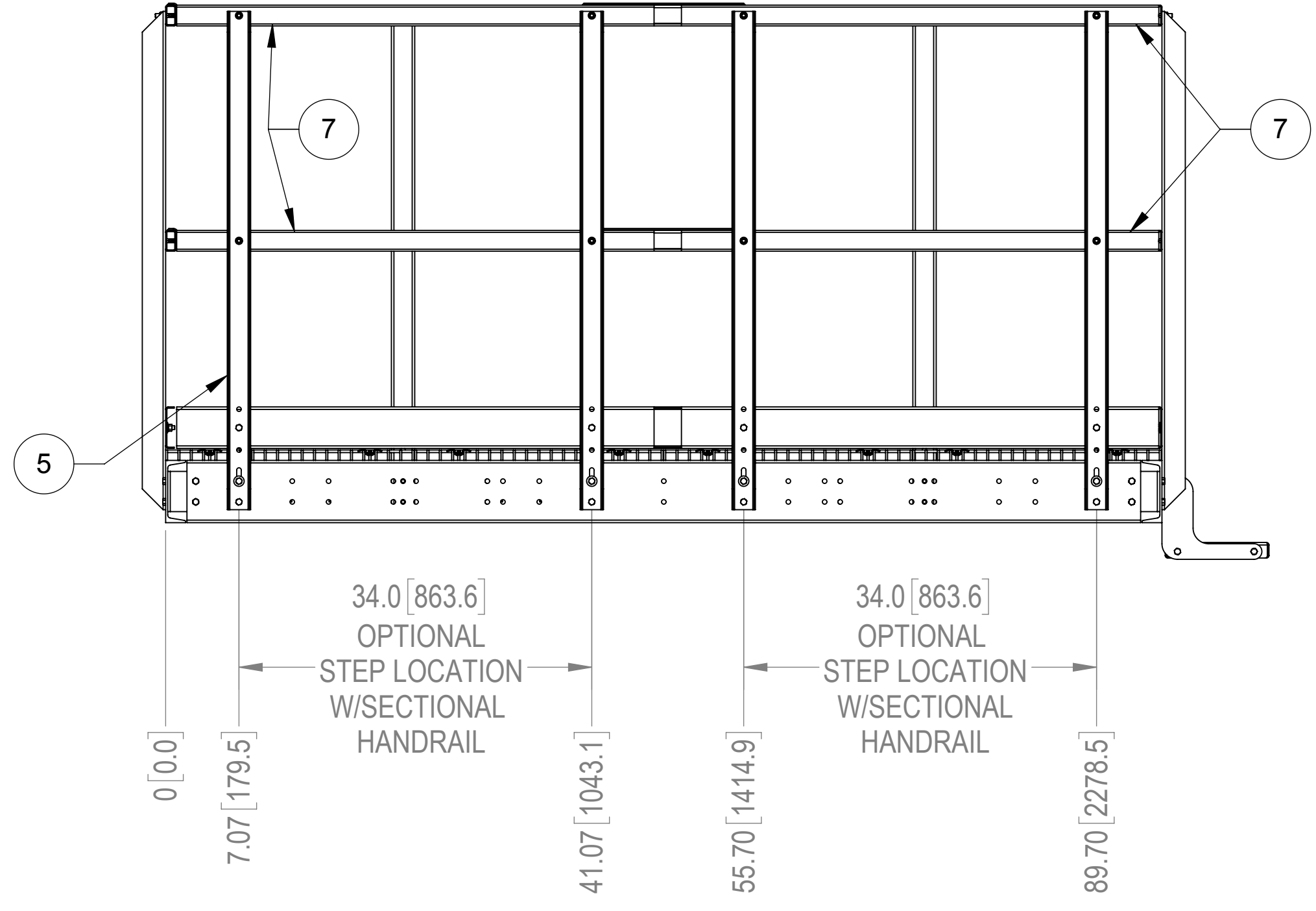
3

2

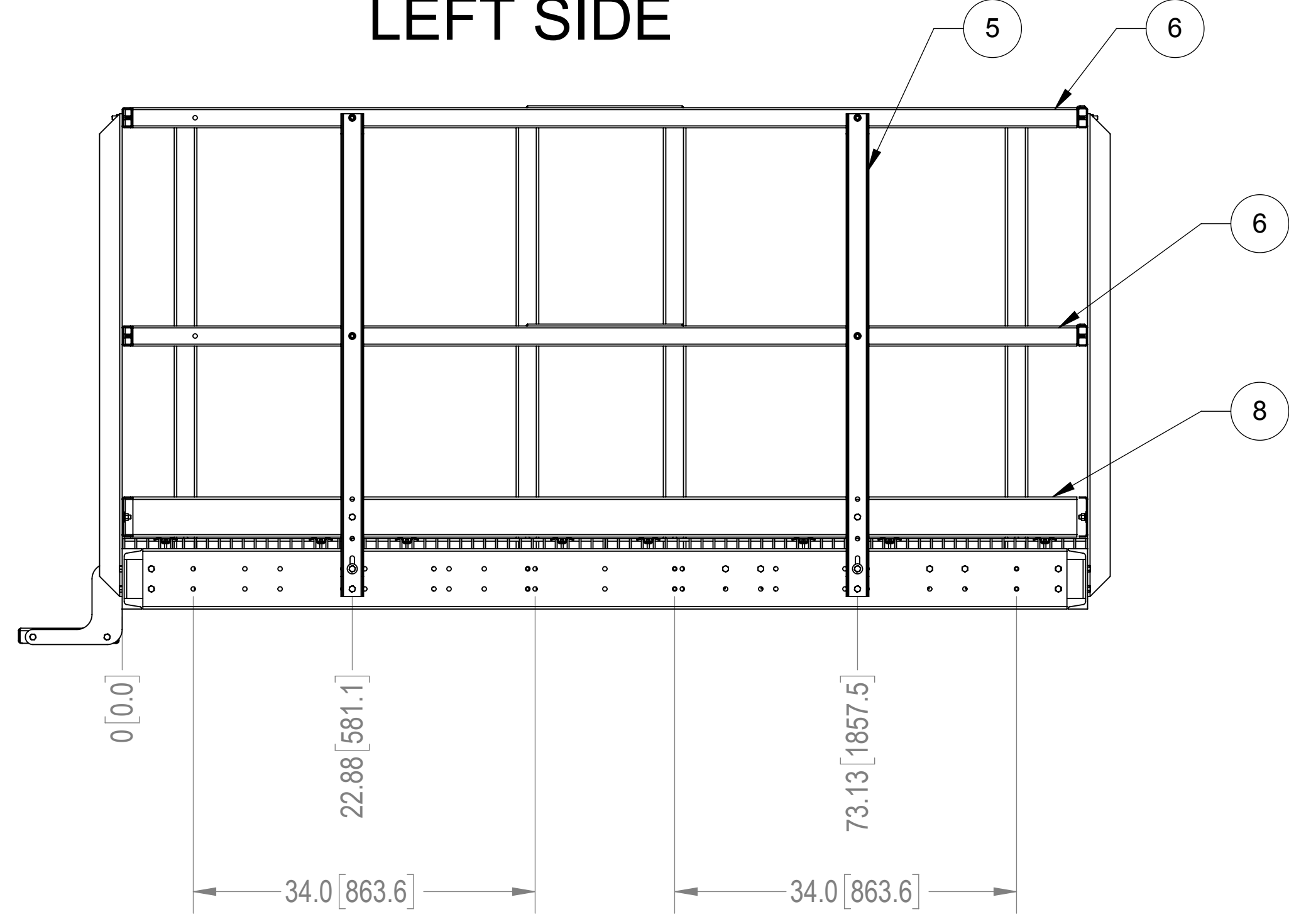
1

NOTES:

1.0 HAND RAIL & STEP CAN BE MOUNTED TO EITHER SIDE



LEFT SIDE



RIGHT SIDE

COMMSCOPE, INC. OF NORTH CAROLINA				
TITLE 8X12 PLATFORM, HANDRAIL W TOE BOARD				
SIZE C	SCALE 1:12	DOCUMENT NO. MTC4038HR		
		DRAWING		SHEET
		VERSION 02	STATUS RE	REVISION C
				6 OF 6

4

3

2

1

D

D

C

C

B

B

A

A