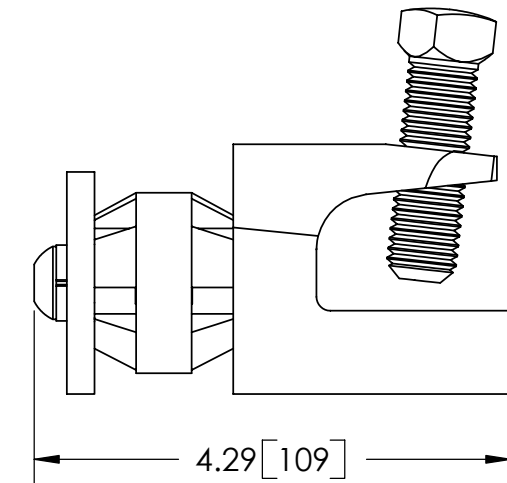
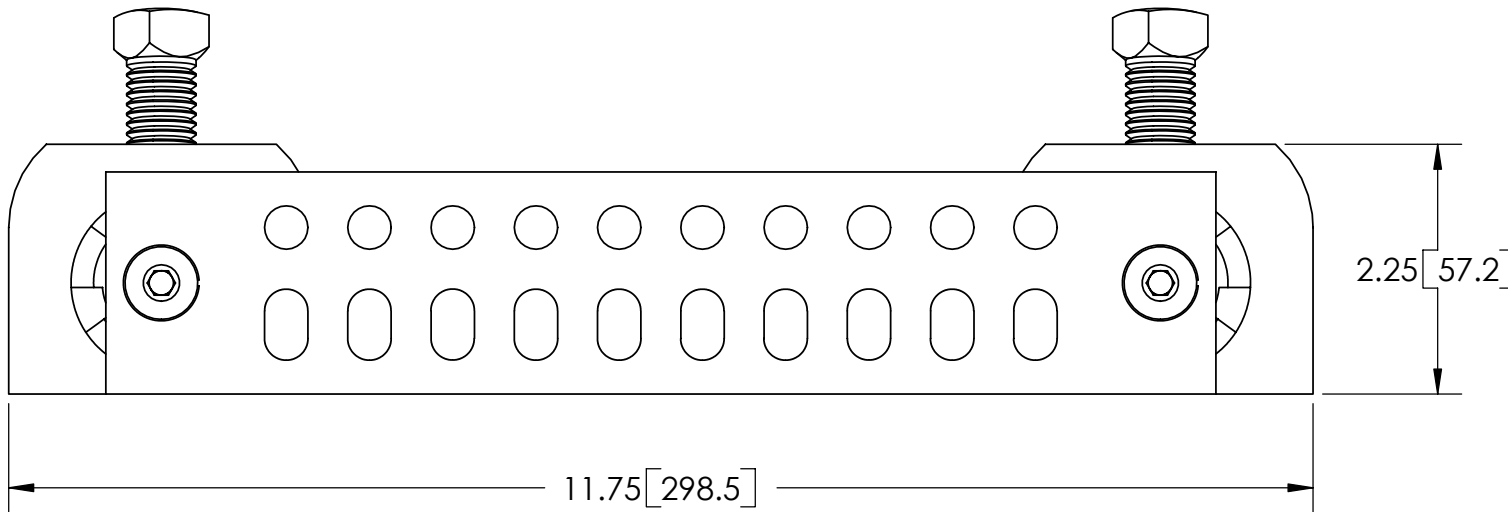
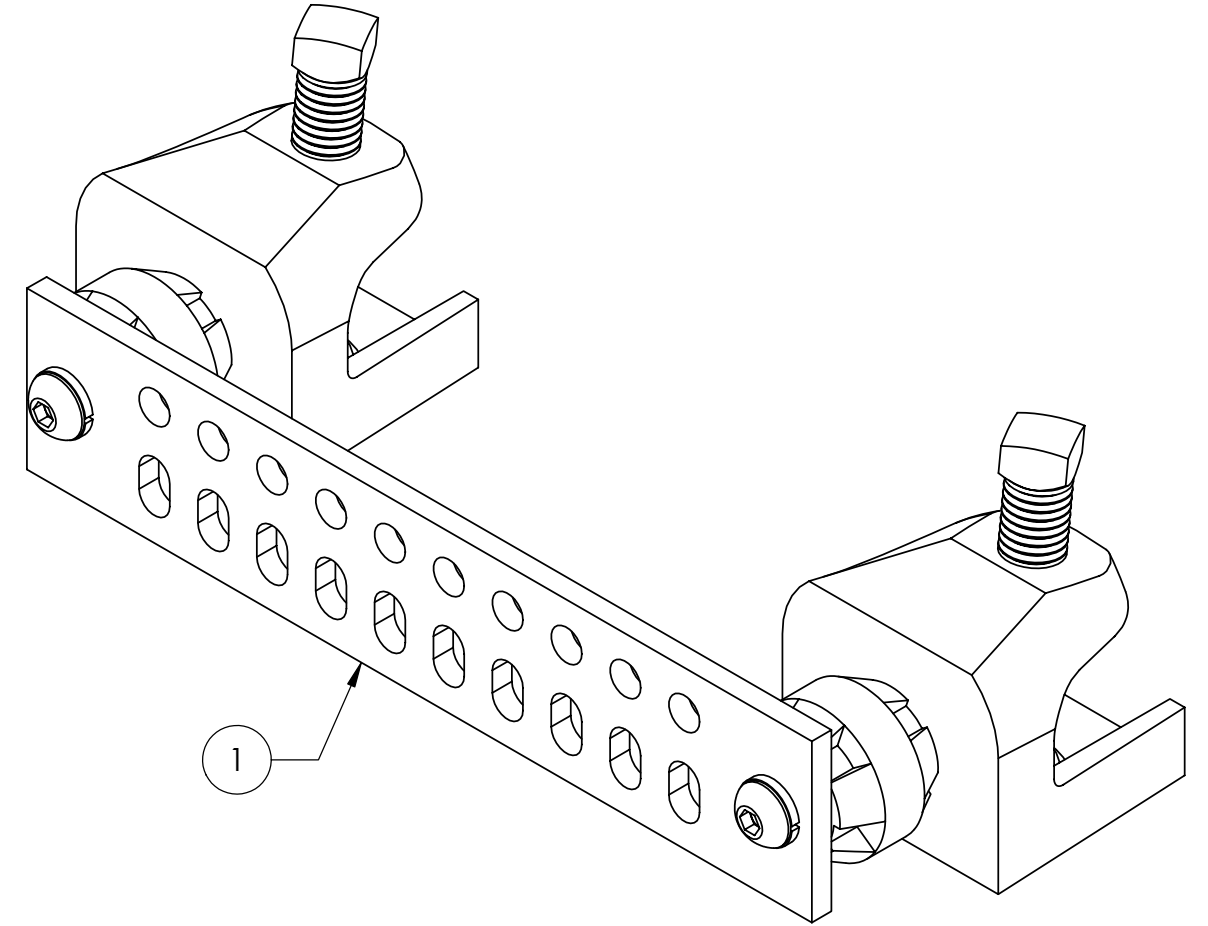


ITEM	PART NO.	DESCRIPTION	QTY.	WEIGHT
1	MTC9674TT.01	TAMPER RESISTANT BUSS BAR KIT	1	5.39 LBS

REVISIONS				
REV.	ZONE	DESCRIPTION	BY	DATE
A		INITIAL RELEASE	ACG	04/19/07



NOTES:  
1. ALL METRIC DIMENSIONS ARE IN BRACKETS.

These drawings and specifications are the proprietary property of ANDREW CORPORATION and may be used only for the specific purpose authorized in writing by Andrew Corporation.  ALL DIMENSIONS ARE IN INCHES U.O.S. TOLERANCES UNLESS OTHERWISE SPECIFIED: .X = ± .06      ANGLES      ±2° .XX = ± .03      FRACTIONS      ±1/32 .XXX = ± .010  REMOVE BURRS AND BREAK EDGES .005  DO NOT SCALE THIS PRINT	DRAWN BY: ACG	SHEET: 1 of 1	PART NUMBER: MTC9674TT
	CHECKED BY: TP	SCALE: NTS	DESCRIPTION: TAMPER RESISTANT BUSS BAR KIT
	DATE: 04/19/07	MATERIAL: COPPER, SS, A36	DRAWING TYPE: ASSEMBLY DRAWING
	REVISION: A	FINISH: NONE	WEIGHT: 5.39 LBS