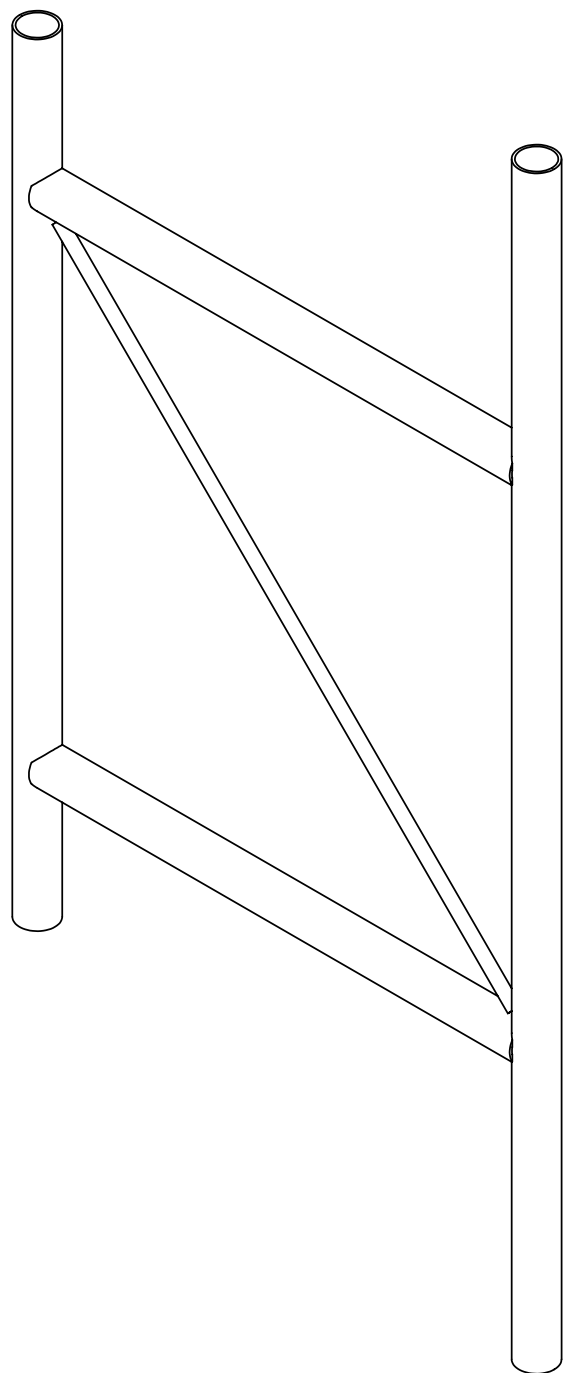
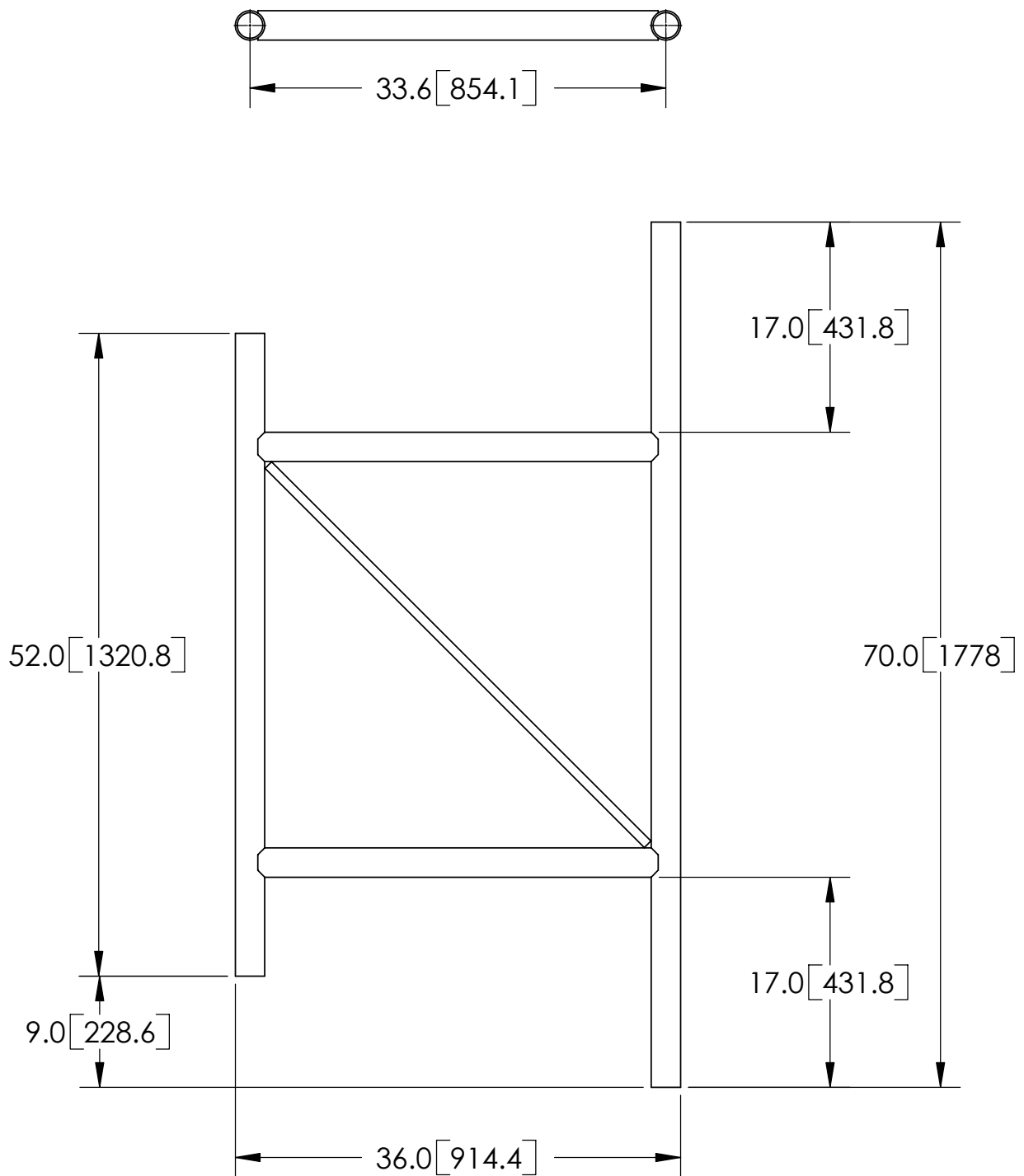



REVISIONS				
REV.	ZONE	DESCRIPTION	BY	DATE
A		INITIAL RELEASE	JTS	03/27/01
B		REVISED & REDRAWN	ACG	08/16/06



NOTES:
 1. ALL METRIC DIMENSIONS ARE IN BRACKETS.

<small>These drawings and specifications are the proprietary property of ANDREW CORPORATION and may be used only for the specific purpose authorized in writing by Andrew Corporation.</small> <small>ALL DIMENSIONS ARE IN INCHES U.O.S.</small> <small>TOLERANCES UNLESS OTHERWISE SPECIFIED:</small> .X = ± .06 ANGLES ±2° .XX = ± .03 FRACTIONS ±1/32 .XXX = ± .010 <small>REMOVE BURRS AND BREAK EDGES .005</small> DO NOT SCALE THIS PRINT	<small>DRAWN BY:</small> ACG	<small>SHEET:</small> 1 of 1	<small>PART NUMBER:</small> P-300
	<small>CHECKED BY:</small> TP	<small>SCALE:</small> NTS	<small>DESCRIPTION:</small> 36" PANEL ANTENNA STAND-OFF BRACKET
	<small>DATE:</small> 04/01/05	<small>MATERIAL:</small> A53, A36	<small>DRAWING TYPE:</small> ASSEMBLY DRAWING
	<small>REVISION:</small> B	<small>FINISH:</small> GALV A123	 ORLAND PARK, IL. 60462 U.S.A.
	<small>WEIGHT:</small> 61.85 LBS		