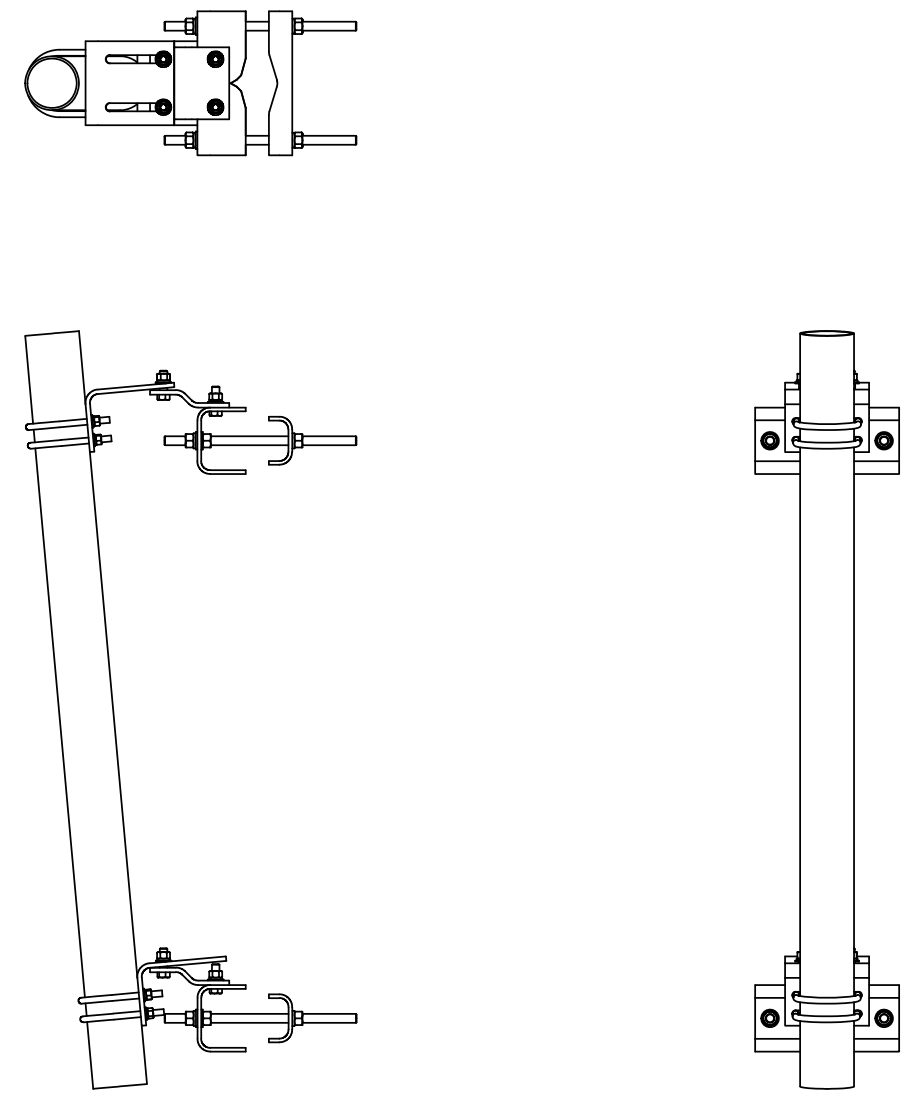
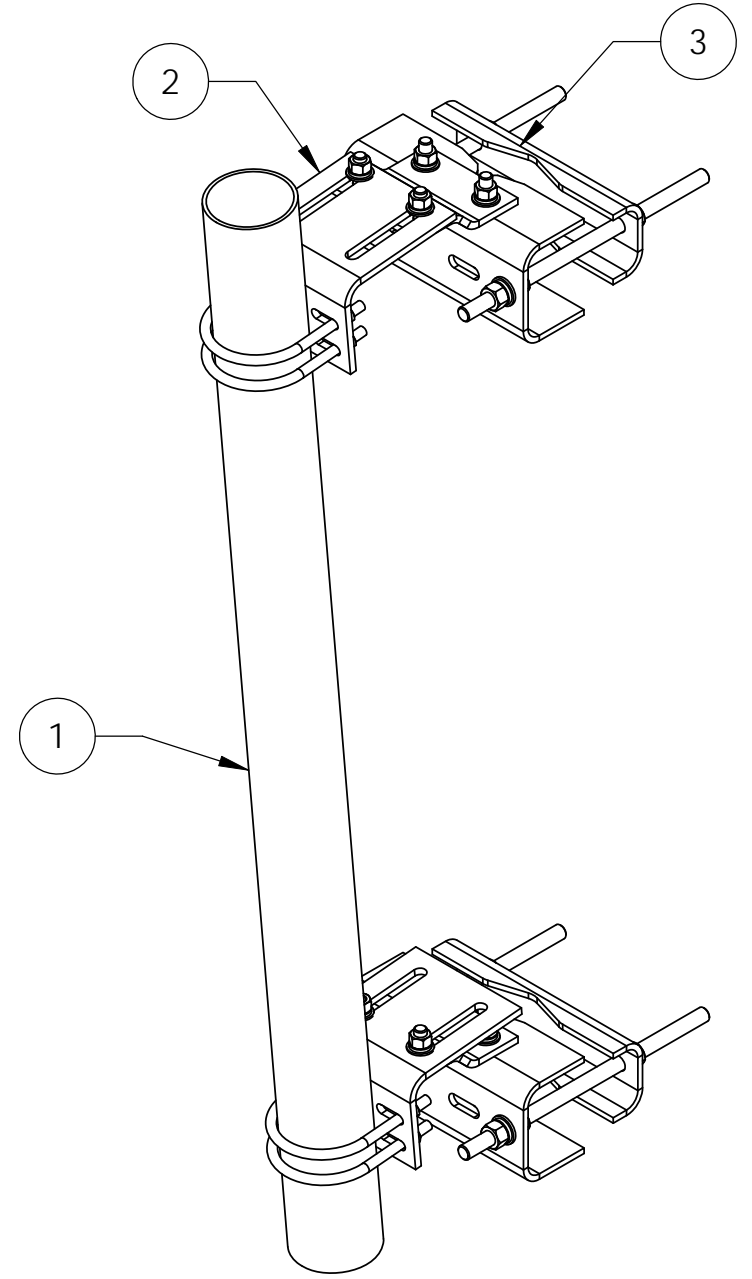



ITEM	PART NO.	DESCRIPTION	QTY.	WEIGHT
1	MT-XXX	PLAIN END PIPE (SEE TABLE)	1	
2	PM-SLX	BASE KIT (SEE TABLE)	1	
3	SM-U2080	UNIVERSAL SADDLE MOUNT	1	50.00 LBS

REVISIONS				
REV.	ZONE	DESCRIPTION	BY	DATE
A		INITIAL RELEASE	AW	2/8/2006
B		UPDATE ITEMS 2 & 3	MSM	05/06/09
C		ADD PM-SU4-84	ACG	06/19/09
D		ADDED 24" AND 48" CONFIGURATIONS	DRR	05/20/11

PART NUMBER	PLAIN END PIPE	PIPE DESCRIPTION	BASE KIT	TOTAL WEIGHT
PM-SU2-B	N/A	N/A	PM-SL2	80 LBS
PM-SU2-24	MT-648	PLAIN END PIPE 2-3/8" OD X 24"	PM-SL2	87.5 LBS
PM-SU2-48	MT-650	PLAIN END PIPE 2-3/8" OD X 48"	PM-SL2	94.5 LBS
PM-SU2-72	MT-651	PLAIN END PIPE 2-3/8" OD X 72"	PM-SL2	101 LBS
PM-SU2-96	MT-651-96	PLAIN END PIPE 2-3/8" OD X 96"	PM-SL2	113.5 LBS
PM-SU4-B	N/A	N/A	PM-SL4	81.5 LBS
PM-SU4-24	MT-653-24	PLAIN END PIPE 4-1/2" OD X 24"	PM-SL4	102 LBS
PM-SU4-48	MT-653	PLAIN END PIPE 4-1/2" OD X 48"	PM-SL4	123.5 LBS
PM-SU4-63	MT-653-63	PLAIN END PIPE 4-1/2" OD X 63"	PM-SL4	138.5 LBS
PM-SU4-84	MT-654-84	PLAIN END PIPE 4-1/2" OD X 84"	PM-SL4	142.0 LBS
PM-SU4-96	MT-654-96	PLAIN END PIPE 4-1/2" OD X 96"	PM-SL4	169.5 LBS



<small>These drawings and specifications are the proprietary property of ANDREW CORPORATION and may be used only for the specific purpose authorized in writing by Andrew Corporation.</small> <small>ALL DIMENSIONS ARE IN INCHES U.O.S. TOLERANCES UNLESS OTHERWISE SPECIFIED:</small> .X = ± .12 ANGLES ± 2' .XX = ± .06 FRACTIONS ± 1/32 .XXX = ± .03 <small>REMOVE BURRS AND BREAK EDGES .005</small> DO NOT SCALE THIS PRINT	<small>DRAWN BY:</small> AW	<small>SHEET:</small> 1 of 1	<small>PART NUMBER:</small> PM-SU Series
	<small>CHECKED BY:</small> TP	<small>SCALE:</small> NTS	<small>DESCRIPTION:</small> UNIVERSAL SLIDING PIPE MOUNT KIT
	<small>DATE:</small> 02/08/06	<small>MATERIAL:</small> A36	<small>DRAWING TYPE:</small> ASSEMBLY DRAWING
	<small>REVISION:</small> D	<small>FINISH:</small> GALV A123	 ORLAND PARK, IL. 60462 U.S.A.
	<small>WEIGHT:</small> SEE TABLE		