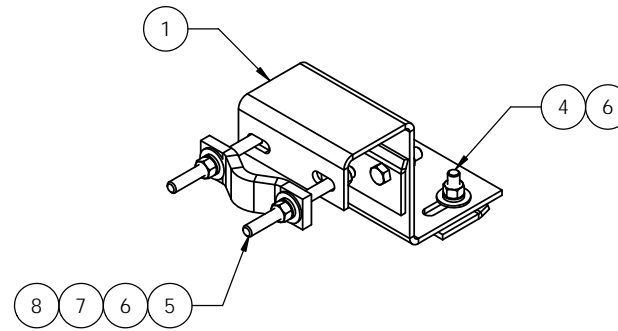
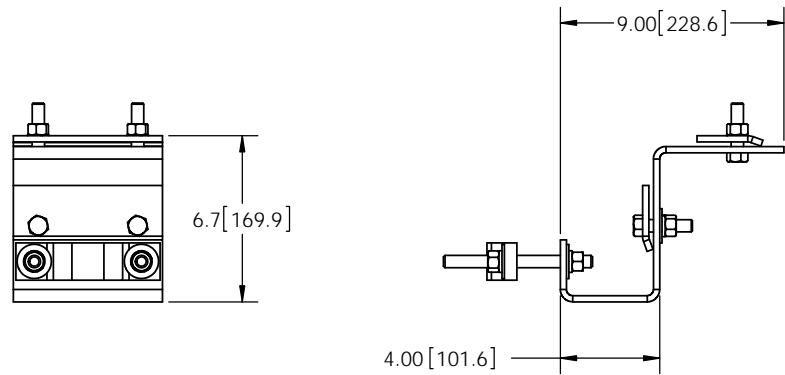
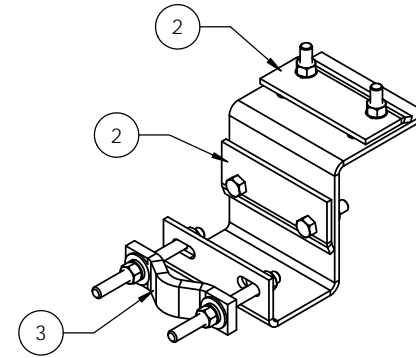
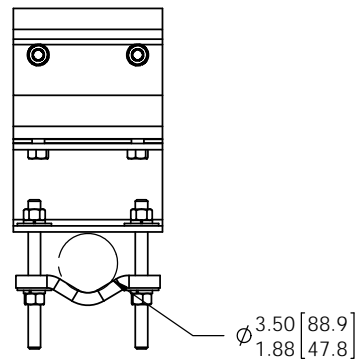


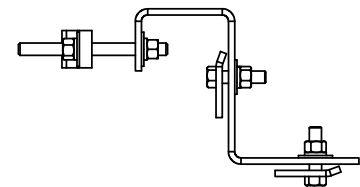
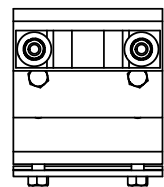
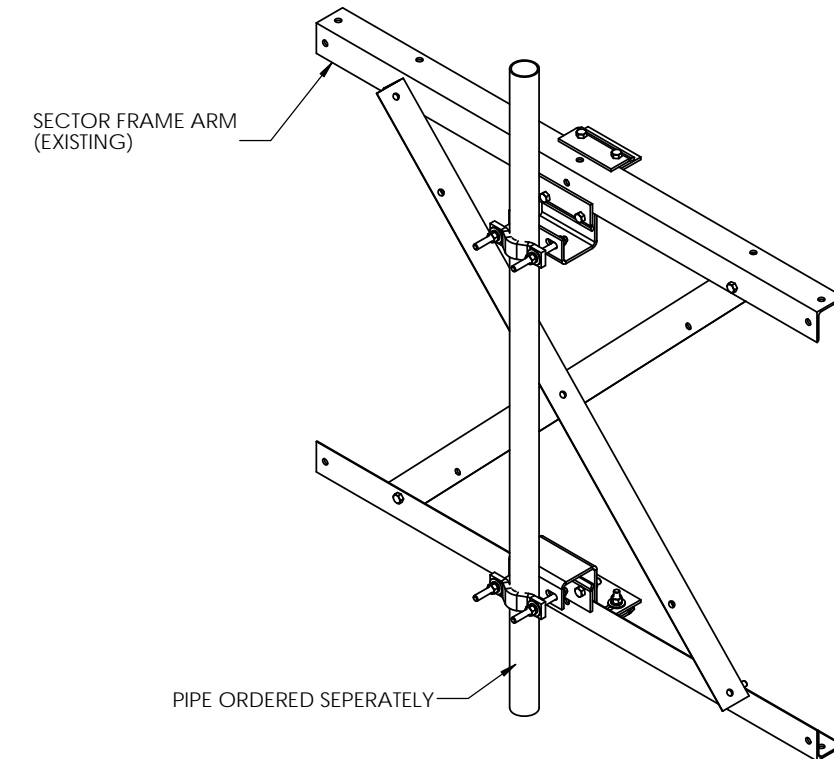
NOTES:

1. ALL METRIC DIMENSIONS ARE IN BRACKETS.
2. ATTACHES TO 90° ANGLES 1.5"X1.5" - 3"X3".

REVISIONS				
REV.	ECN	DESCRIPTION	BY	DATE
A	8000019483	INITIAL RELEASE	DRR	1/24/17



IN USE WITH SECTOR FRAME ANGLE ARM



ITEM	PART NO.	DESCRIPTION	QTY.	WEIGHT
1	MTC346002	RRU Angle Mounting Bracket	2	6.71 LBS
2	MTC346001	PINCH PLATE	4	1.08 LBS
3	SCP10	SMALL DISH CLAMP HALF	2	1.20 LBS
4	GB-04205	1/2" X 2" GALV BOLT KIT	8	0.16 LBS
5	MT-379-6	1/2" X 6" GALV THREADED ROD	4	0.33 LBS
6	GWF-04	1/2" GALV FLAT WASHER	16	0.03 LBS
7	GWL-04	1/2" GALV LOCK WASHER	8	0.01 LBS
8	GN-04	1/2" GALV HEX NUT	8	0.04 LBS

COMMSCOPE, INC. OF NORTH CAROLINA

TOLERANCES		SAP MATERIAL MASTER	
0 PLACE X ± .25	2 PLACE XX ± .06	RRU-AM-1	
1 PLACE X ± .12	ANGLES ± 2°		
FINISH		MATERIAL	
GALV A123		A36	
UNLESS OTHERWISE SPECIFIED, DIMENSIONS ARE IN MILLIMETERS INTERPRET PER ISO STANDARDS HANDBOOK TECHNICAL DRAWINGS, VOLUMES 1 & 2, THIRD EDITION (2002)		NAME	DATE
		CE RJC	12/07/16
		RV	
		AD	
		RE TP	12/07/16
		ECN 8000019483	
		TITLE	SCALE
		RRU MOUNTING KIT, BACK ANGLE FACE	1:5
		DOCUMENT NO.	
		RRU-AM-1	
DENSITY	0.28 lbs/in ³	SIZE	WORK AREA
MASS	24.17 lbs	C	⊕
VOLUME	85.74 in ³		⊘
SURFACE AREA			
HEIGHT		VERSION	STATUS
LENGTH			
WIDTH		MODEL	REVISION
		DRAWING	REVISION
			A
		SHEET	1 OF 1