

4

3

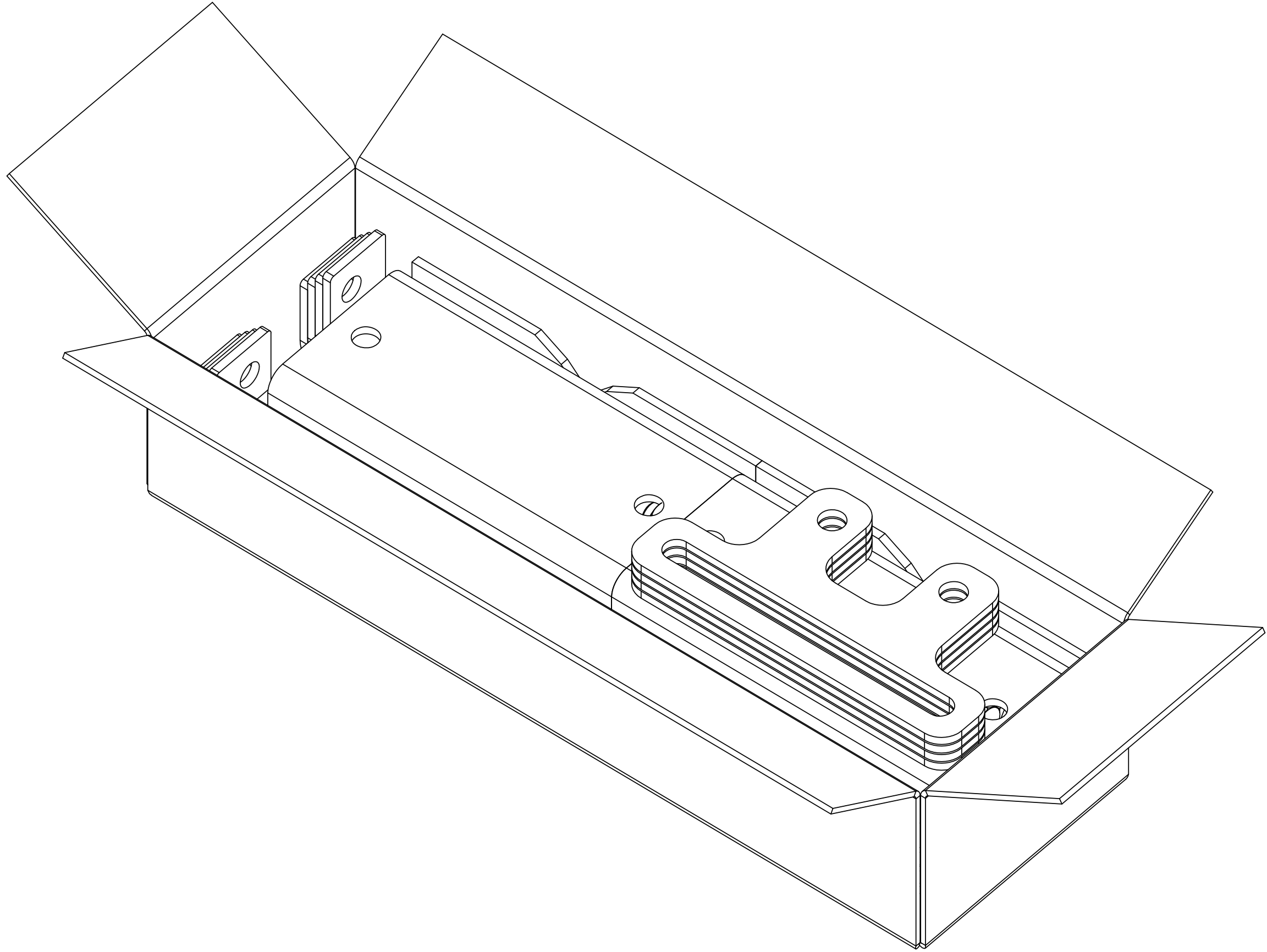
2

1

NOTES:

- 1.0 PUT ALL LOOSE HARDWARE IN POLYBAGS AS NEEDED.
- 2.0 PLACE DRAWING INTO CRATE.

REV		ECN	REVISIONS		BY	DATE
A		8000025143	INITIAL RELEASE		DRR	07/25/17



ITEM	PART NO.	DESCRIPTION	QTY.	WEIGHT	NOTE NO.
1	MTC378912	WELDED FRONT BRACKET	2	4.18 LBS	
2	MTC378909	RRU HANGER	4	3.97 LBS	
3	MTC378903	REAR BRACKET	2	3.10 LBS	
4	MT-379	1/2" X 12" GALV THREADED ROD	4	0.66 LBS	
5	MTC3789PHK	HARDWARE KIT FOR MTC3789	1	4.17 LBS	
6	MTC378916	PLATE, SLIDE ADJUSTMENT	4	0.80 LBS	
7	BX22	Box Kraft 19" x 6" x 4"	1	-	
8	DOCUMENT RECORD	INSERT DWG RR-FA2-EXT INTO BOX	1	-	1,2

<b>COMMSCOPE, INC. OF NORTH CAROLINA</b>					
TOLERANCES			SAP MATERIAL MASTER		
0 PLACE	X ± .25	2 PLACE	.XX ± .06	<b>RR-FA2-EXT</b>	
1 PLACE	.X ± .12	ANGLES	± 2°		
FINISH			MATERIAL		
<b>GALV A123</b>			<b>A36</b>		
UNLESS OTHERWISE SPECIFIED DIMENSIONS ARE IN MILLIMETERS INTERPRET PER ISO STANDARDS HANDBOOK TECHNICAL DRAWINGS VOLUMES 1 & 2, THIRD EDITION (2002)	CE	NAME	DATE	<b>RRU MOUNT</b>	
	RW	DRR	07/25/17		
	RV				
	AD			SCALE	DOCUMENT NO.
	RE	TP	07/25/17	<b>1:2</b>	<b>RR-FA2-EXT</b>
ECN	8000025143				
SIZE	WORK AREA	MODEL		DRAWING	
<b>C</b>		VERSION	STATUS	REVISION	VERSION STATUS REVISION
					<b>A</b>
					SHEET
					1 OF 6

**PATENT PENDING**  
 © 2015 CommScope, Inc. Confidential

4

3

2

1

4

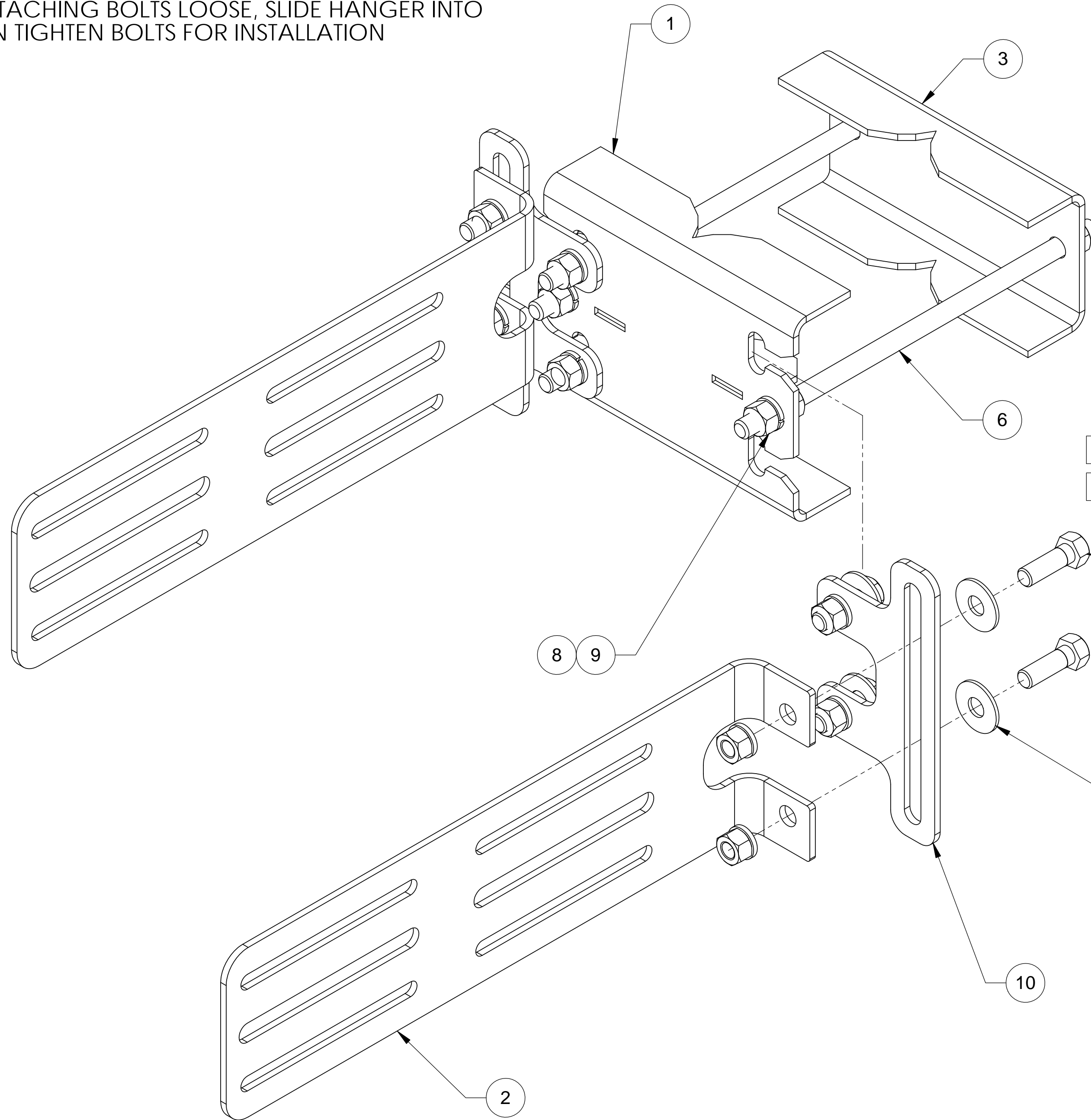
3

2

1

NOTES:

- 1.0 PRE-ASSEMBLE HANGER BRACKETS (2) ONTO RRUS
- 2.0 ASSEMBLE FRONT (1) AND REAR (3) CLAMPS ONTO STRUCTURE
- 3.0 ASSEMBLE HANGAR BRACKETS (2) ONTO SLIDE PLATES (10)
- 4.0 WITH ITEMS ATTACHING BOLTS LOOSE, SLIDE HANGER INTO POSITION THEN TIGHTEN BOLTS FOR INSTALLATION



**TORQUE BOLTS TO 60ft lbs  
AFTER INSTALLATION**

COMMSCOPE, INC. OF NORTH CAROLINA			
TITLE <b>FAST ACCESS DUAL RRU MOUNT</b>			
SIZE <b>C</b>	SCALE <b>1:2</b>	DOCUMENT NO. <b>RR-FA2-EXT</b>	
		DRAWING	
		VERSION	REVISION
			<b>A</b>
			SHEET 2 OF 6

**PATENT PENDING**  
© 2015 CommScope, Inc. Confidential

4

3

2

1

4

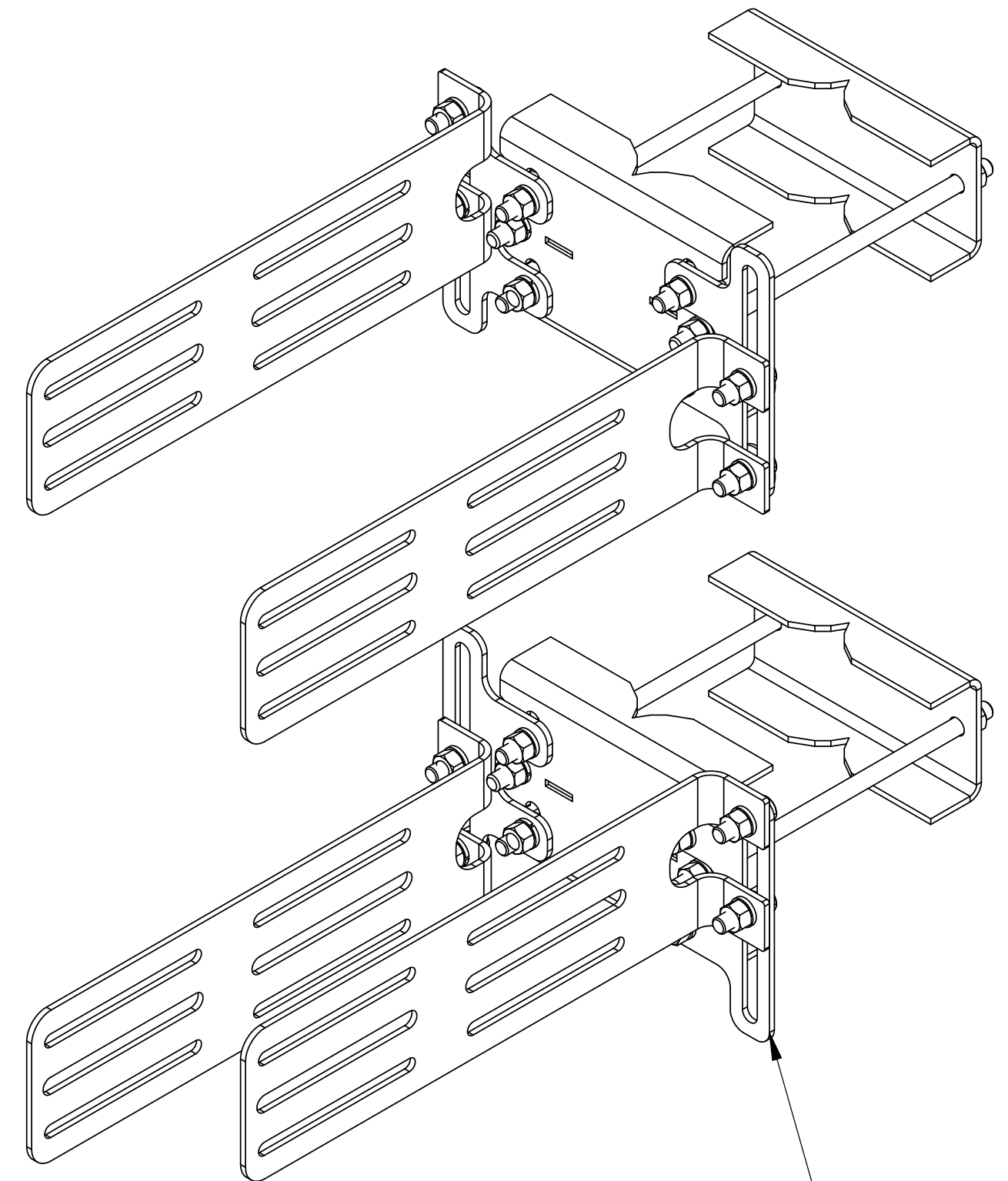
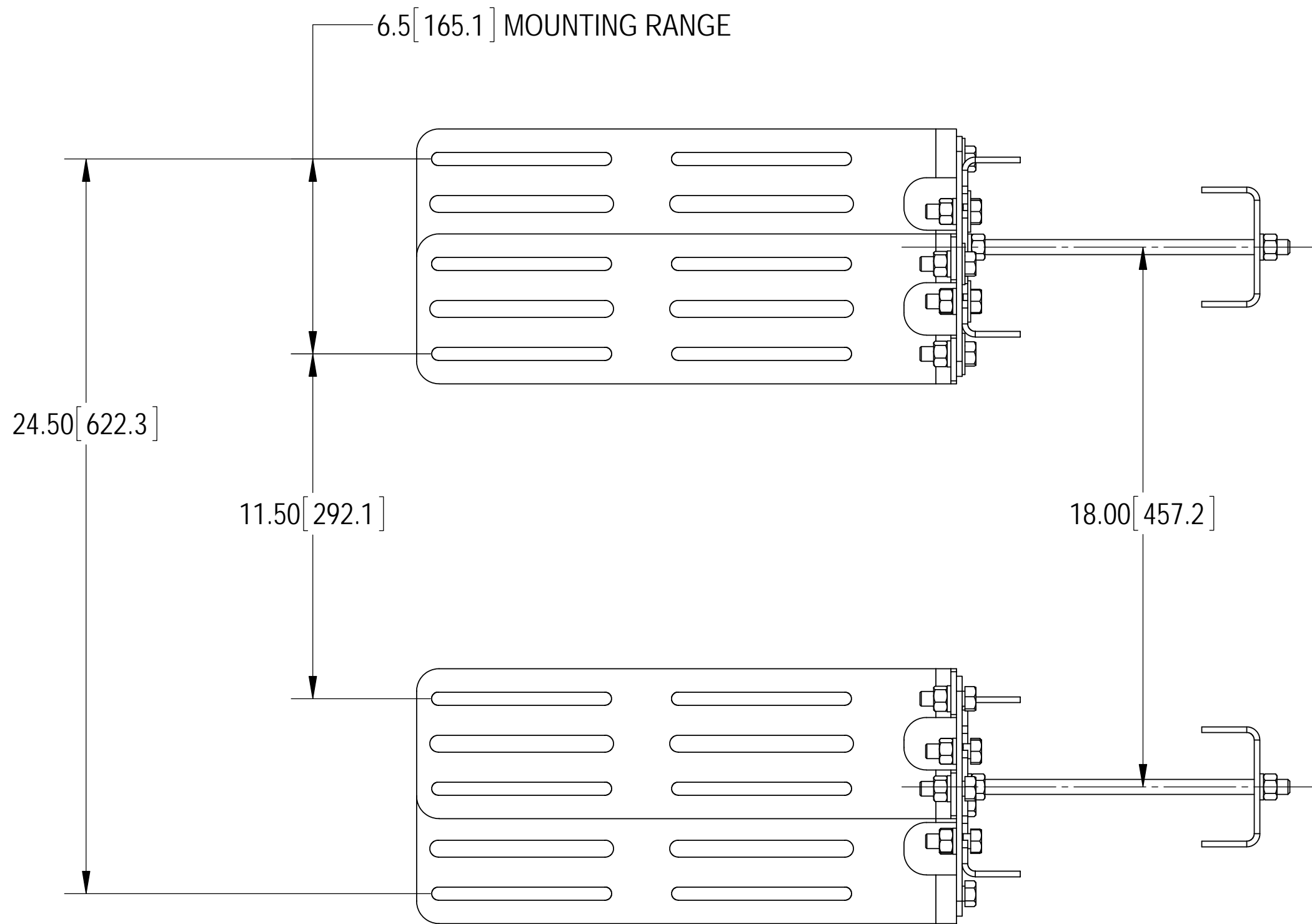
3

2

1

NOTES:

### EXAMPLE SHOWIN WITH 18" CENTERLINE SPACING



PLATES ALLOW 6.5" OF ADJUSTMENT PER SIDE FOR MOUNTING EQUIPMENT WITH DIFFERENT HOLE PATTERNS.

COMMSCOPE, INC. OF NORTH CAROLINA				
TITLE				
<b>FAST ACCESS DUAL RRU MOUNT</b>				
SIZE	SCALE	DOCUMENT NO.		
<b>C</b>	<b>1:4</b>	<b>RR-FA2-EXT</b>		
		DRAWING		SHEET
		VERSION	STATUS	REVISION
				<b>A</b>
				3 OF 6

4

3

2

1

4

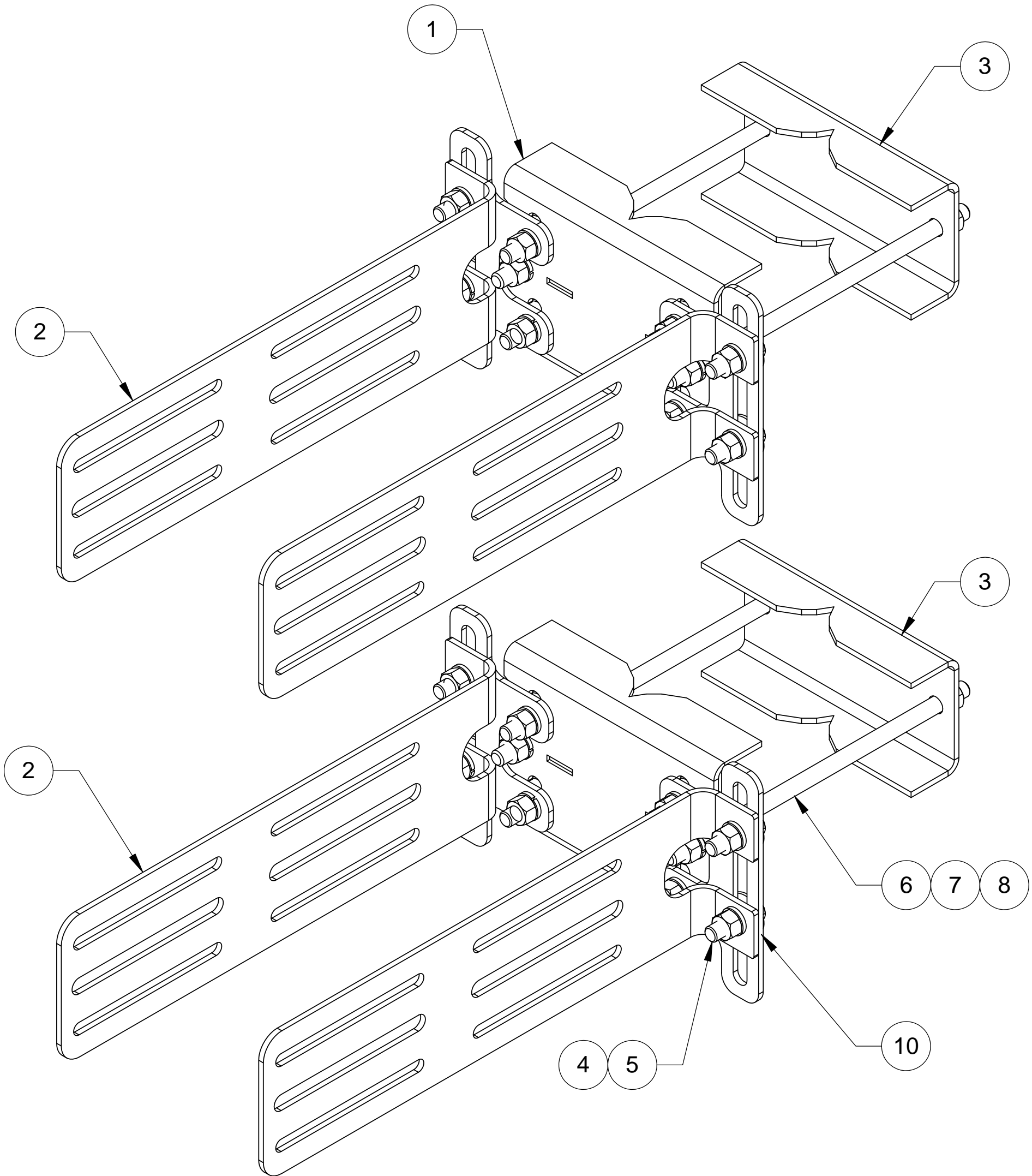
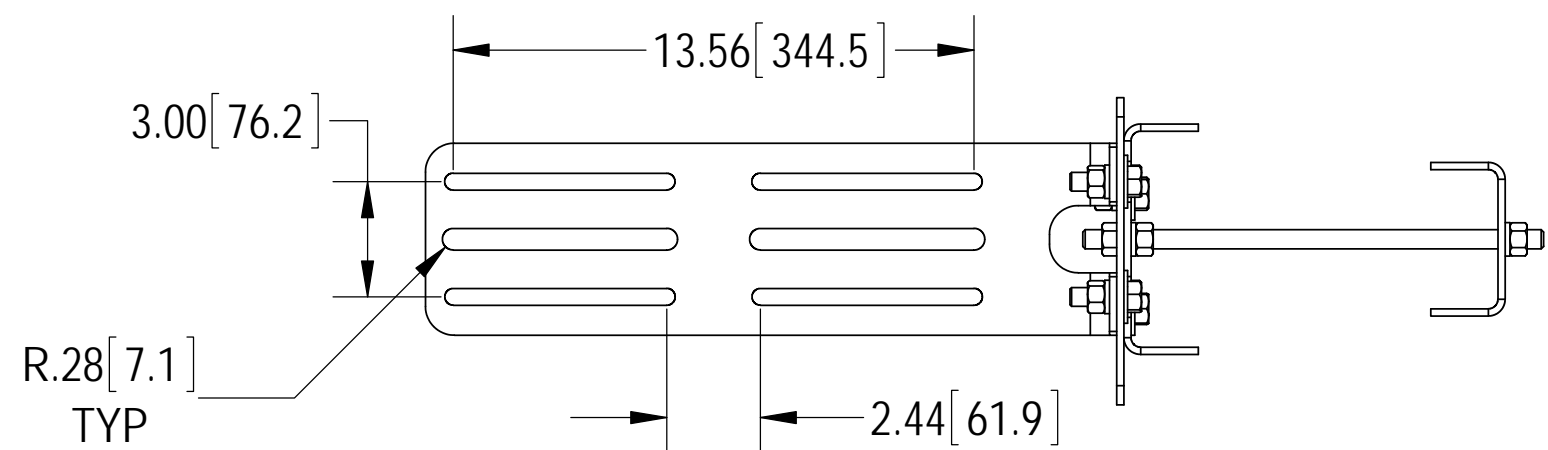
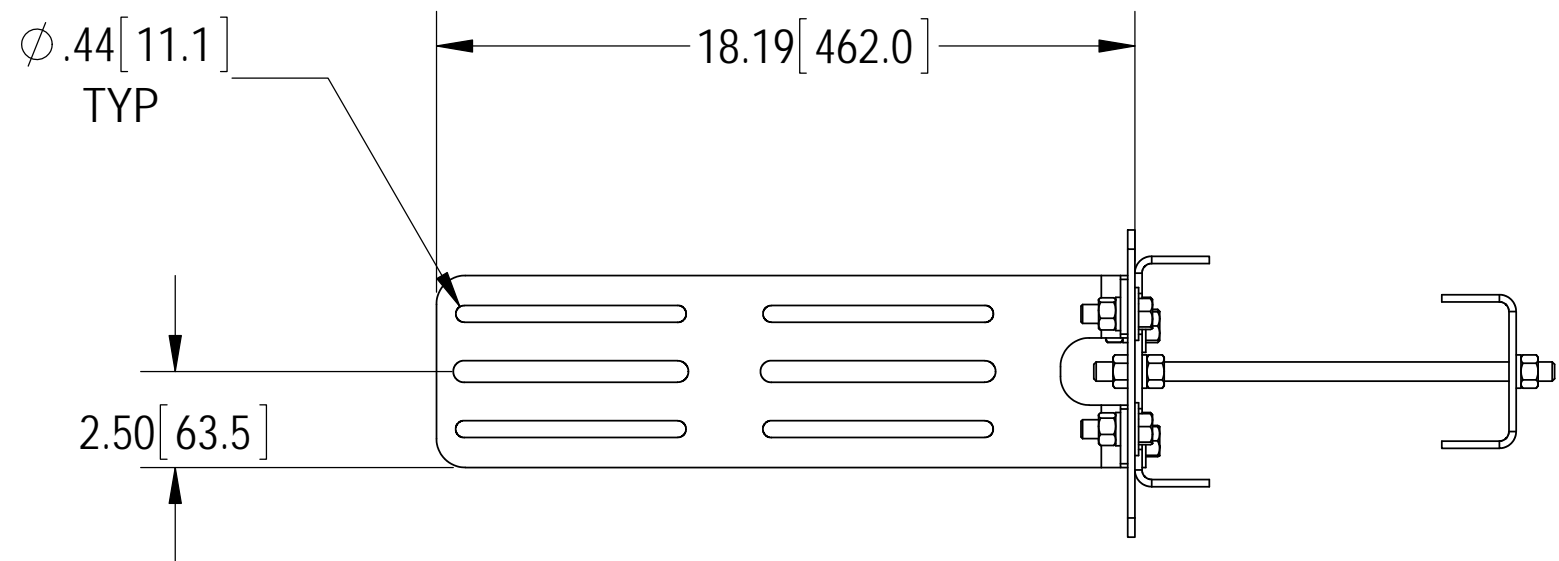
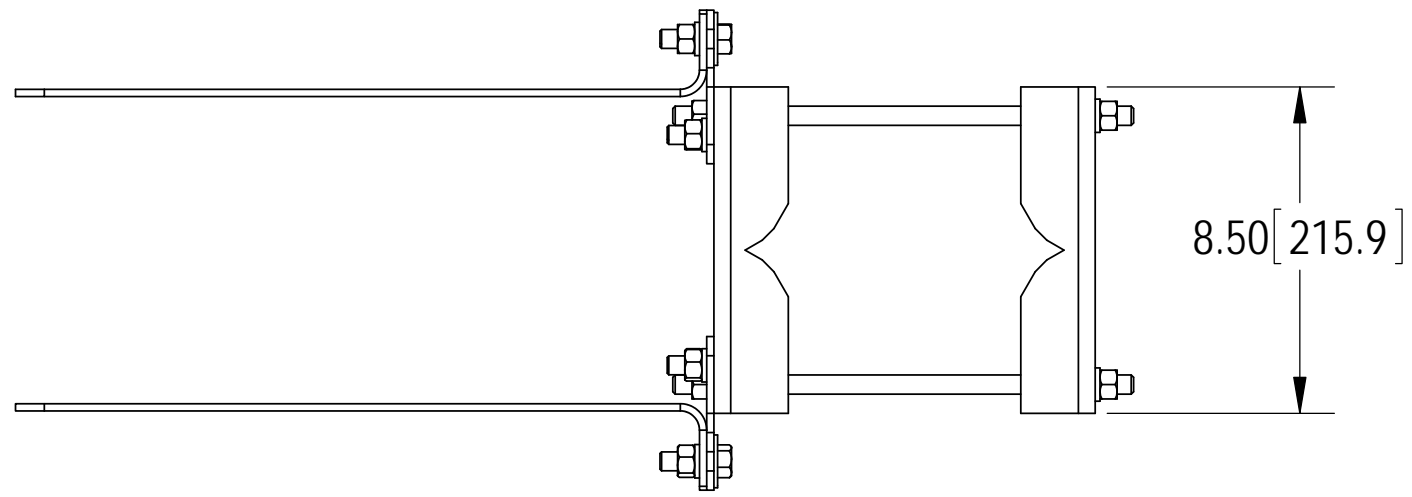
3

2

1

NOTES:

- 1.0 ALL METRIC DIMENSIONS ARE IN BRACKETS.
- 2.0 MOUNT WILL FIT LEGS UP TO:
  - Ø 5.6" ROUND
  - 6.0" 60° ANGLE
  - 4.5" 90° ANGLE



ITEM	PART NO.	DESCRIPTION	QTY.	WEIGHT	NOTE NO.
1	MTC378912	WELDED FRONT BRACKET	2	4.18 LBS	
2	MTC378909	RRU HANGER	4	3.97 LBS	
3	MTC378903	REAR BRACKET	2	3.10 LBS	
4	GW-04	1/2" GALV FLAT WASHER	16	0.03 LBS	
5	GB-04145	1/2" X 1-1/2" GALV BOLT KIT	16	0.13 LBS	
6	MT-379	1/2" X 12" GALV THREADED ROD	4	0.66 LBS	
7	NL-04	1/2" Galv Nut	12	0.06 LBS	
8	GWL-04	1/2" GALV LOCK WASHER	16	0.01 LBS	
9	GN-04	1/2" GALV HEX NUT	16	0.04 LBS	
10	MTC378916	PLATE, SLIDE ADJUSTMENT	4	0.80 LBS	

COMMScope, INC. OF NORTH CAROLINA			
TITLE <b>FAST ACCESS DUAL RRU MOUNT</b>			
SIZE <b>C</b>	SCALE <b>1:3</b>	DOCUMENT NO. <b>RR-FA2-EXT</b>	
DRAWING		VERSION	REVISION
			<b>A</b>
SHEET 4 OF 6			

**PATENT PENDING**  
© 2015 CommScope, Inc. Confidential

4

3

2

1

4

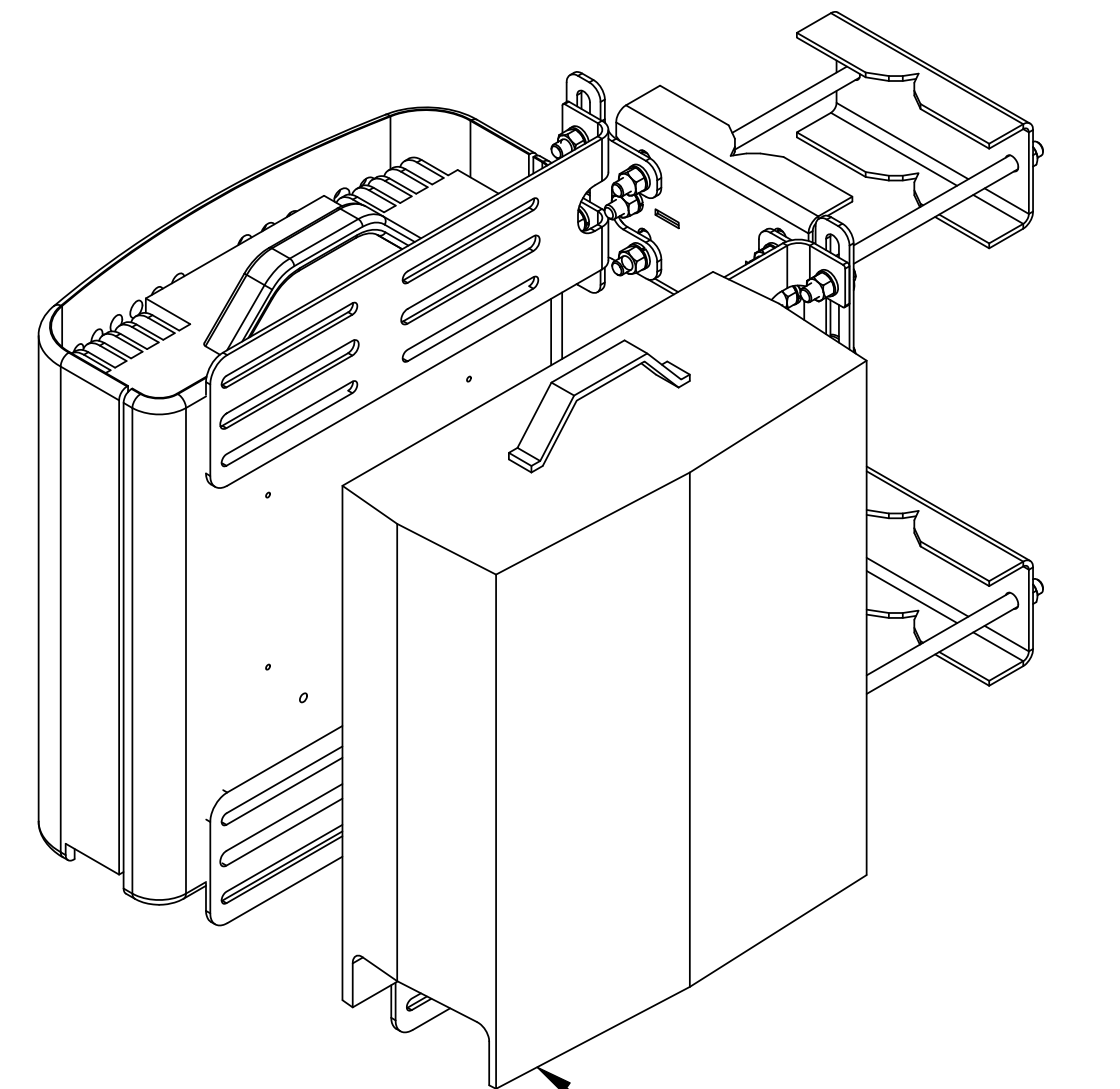
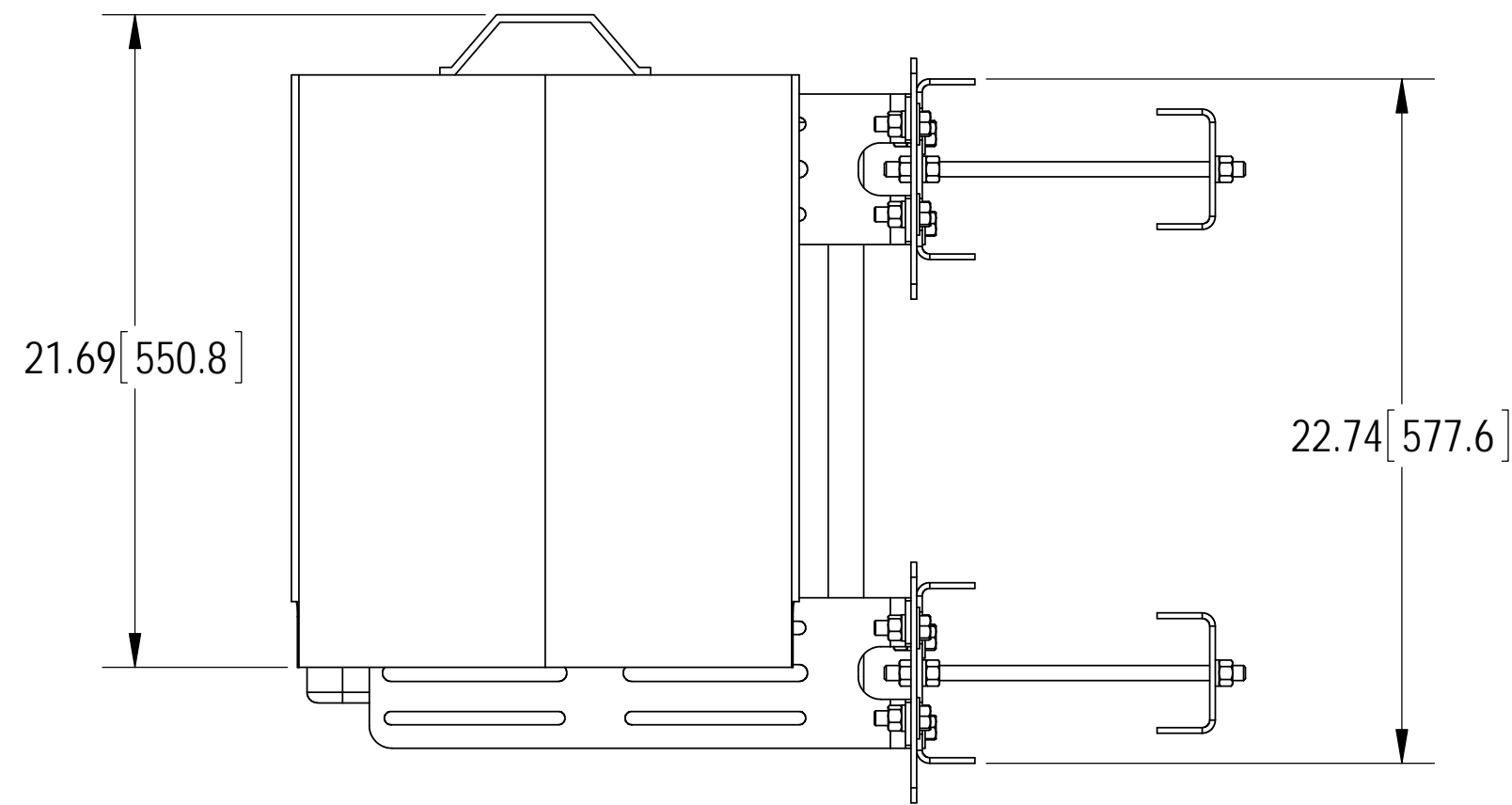
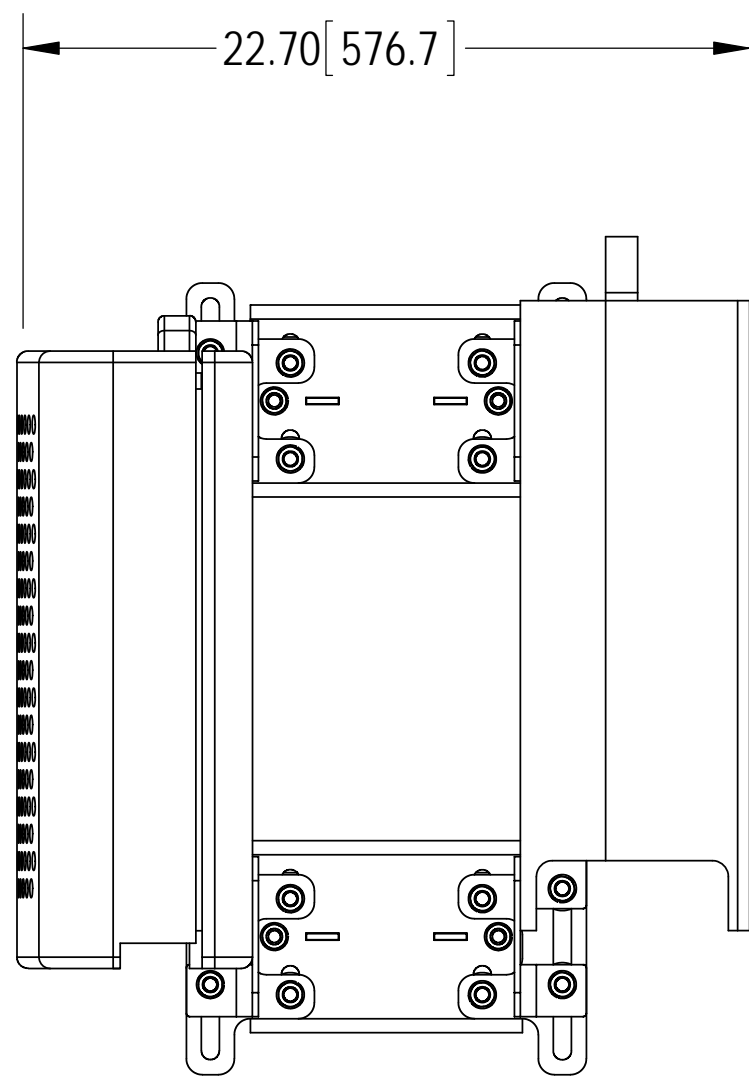
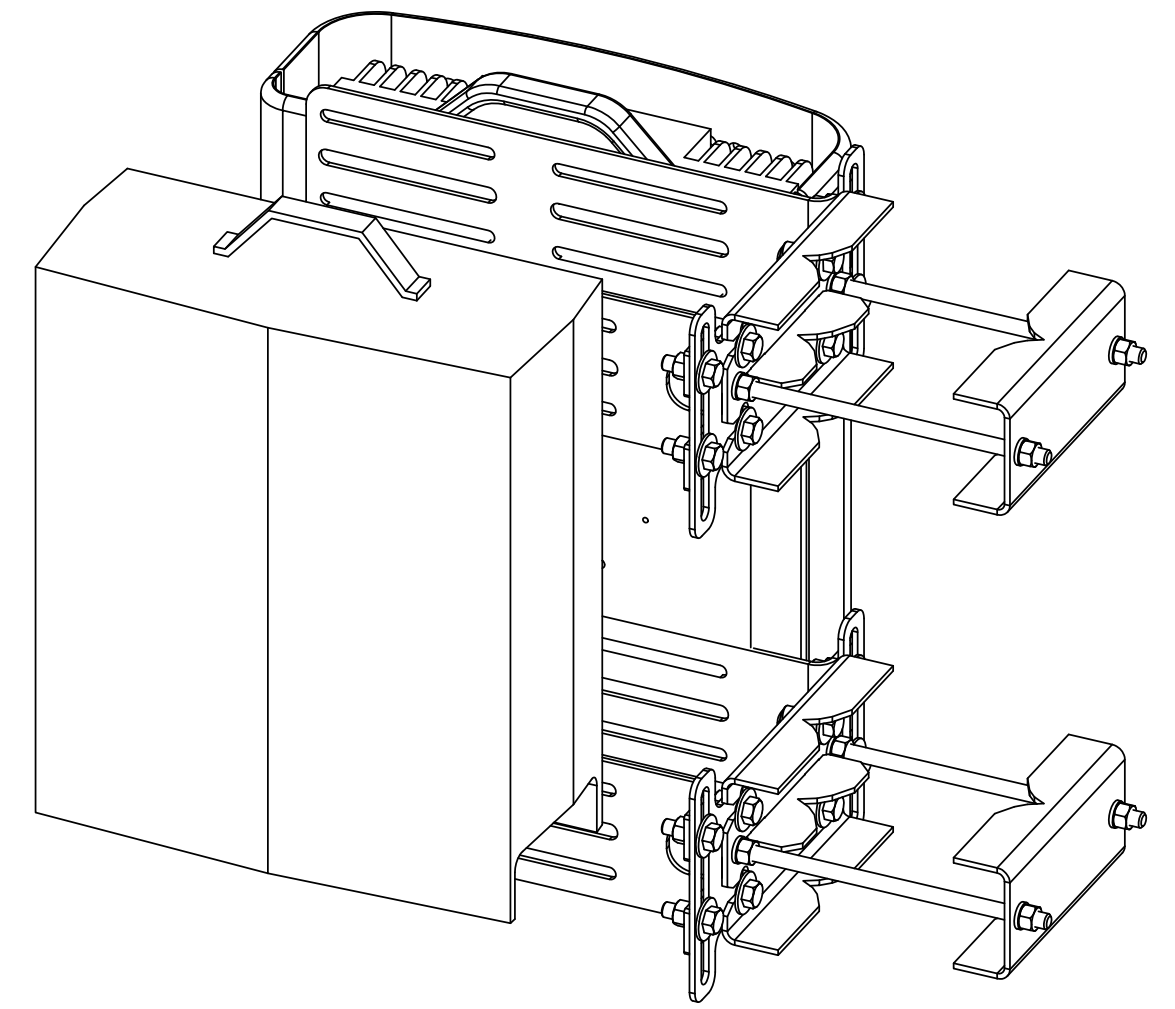
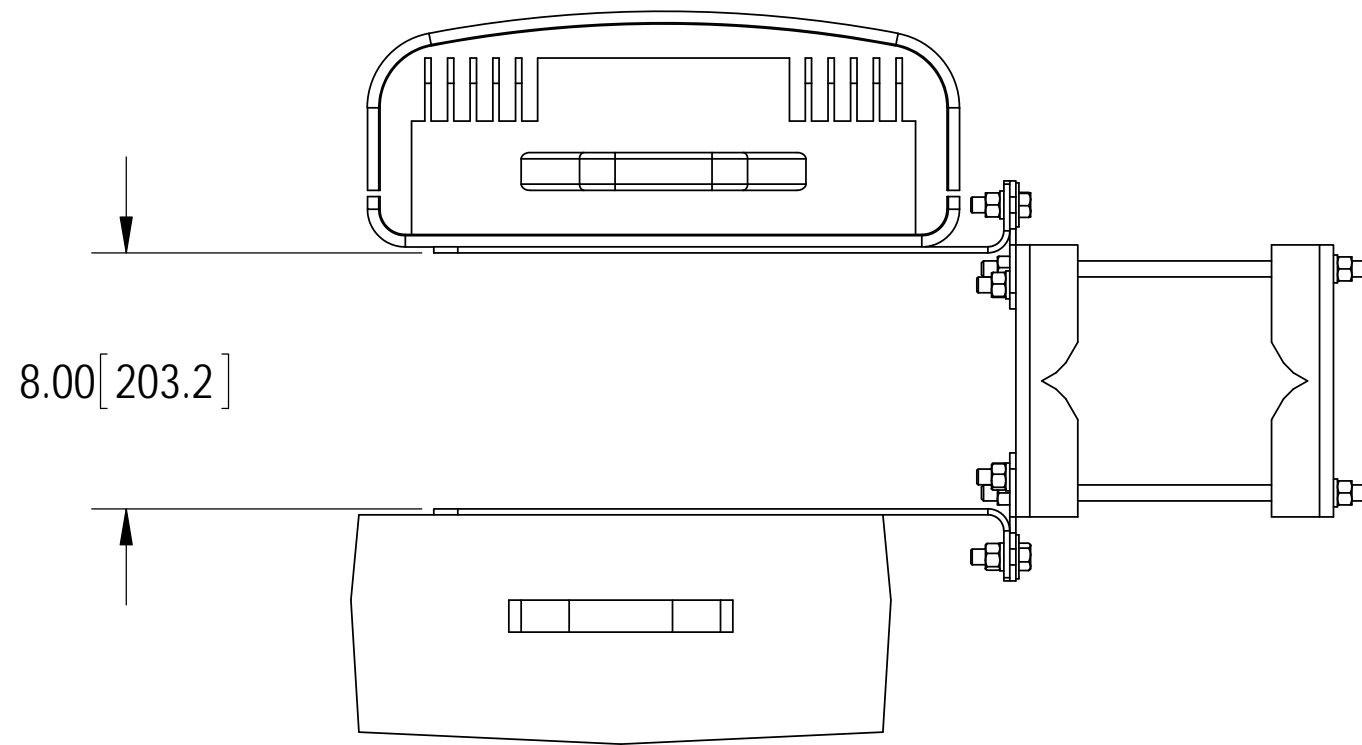
3

2

1

NOTES:

1.0 EXAMPLE INSTALLATION WITH DIFFERENT RRU'S.



RRU PURCHASED SEPARATELY

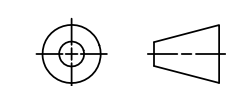
COMMScope, INC. OF NORTH CAROLINA

TITLE  
**FAST ACCESS DUAL RRU MOUNT**

SIZE <b>C</b>	SCALE <b>1:6</b>	DOCUMENT NO. <b>RR-FA2-EXT</b>
------------------	---------------------	-----------------------------------

**PATENT PENDING**

© 2015 CommScope, Inc. Confidential



DRAWING			SHEET 5 OF 6
VERSION	STATUS	REVISION	
		<b>A</b>	

4

3

2

1

4

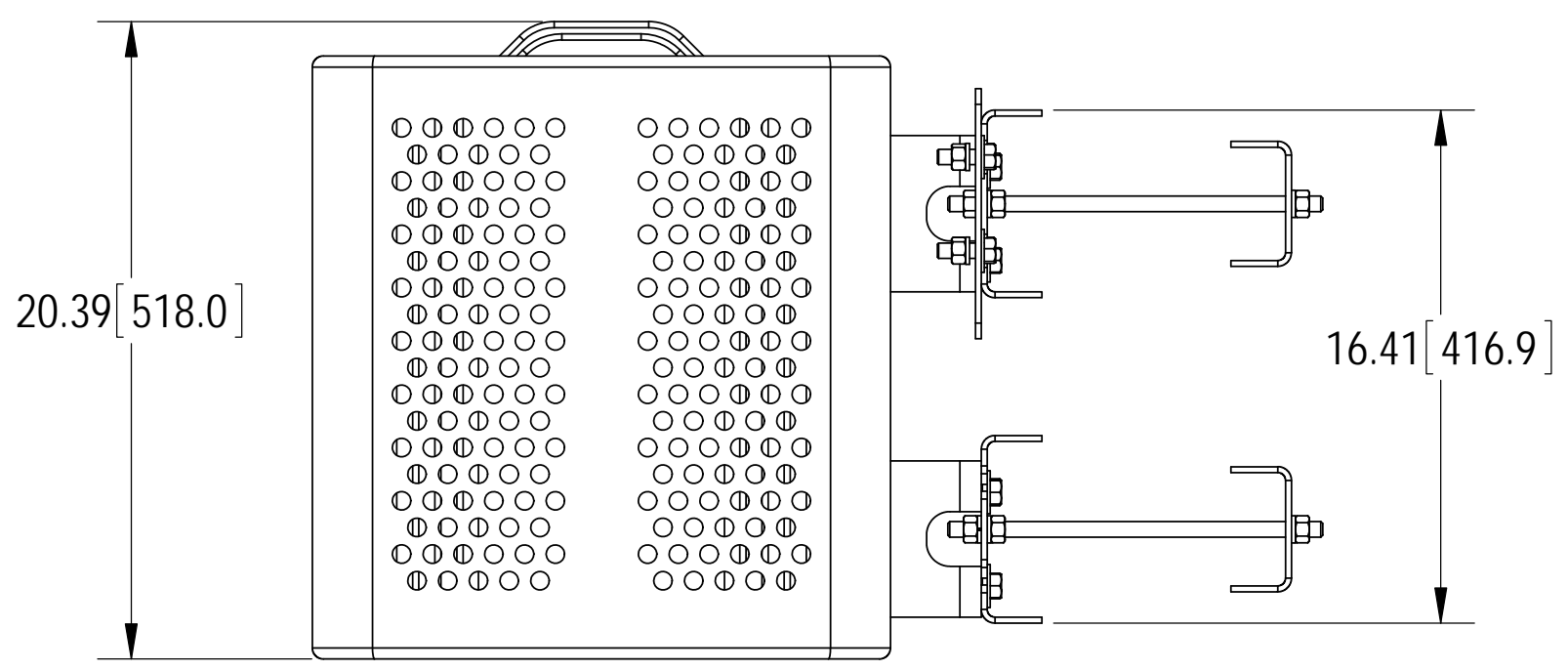
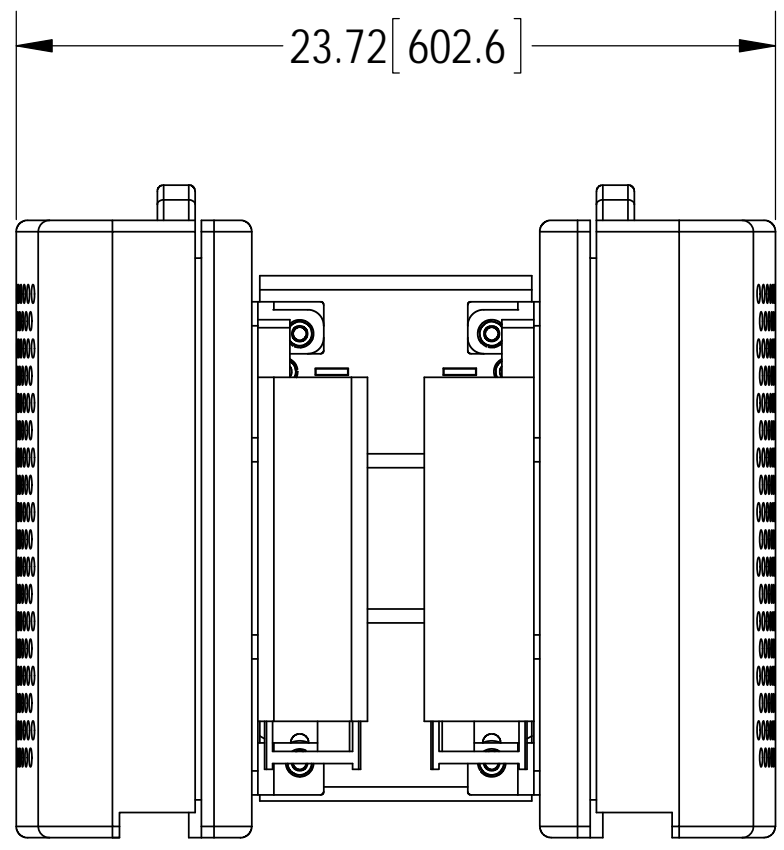
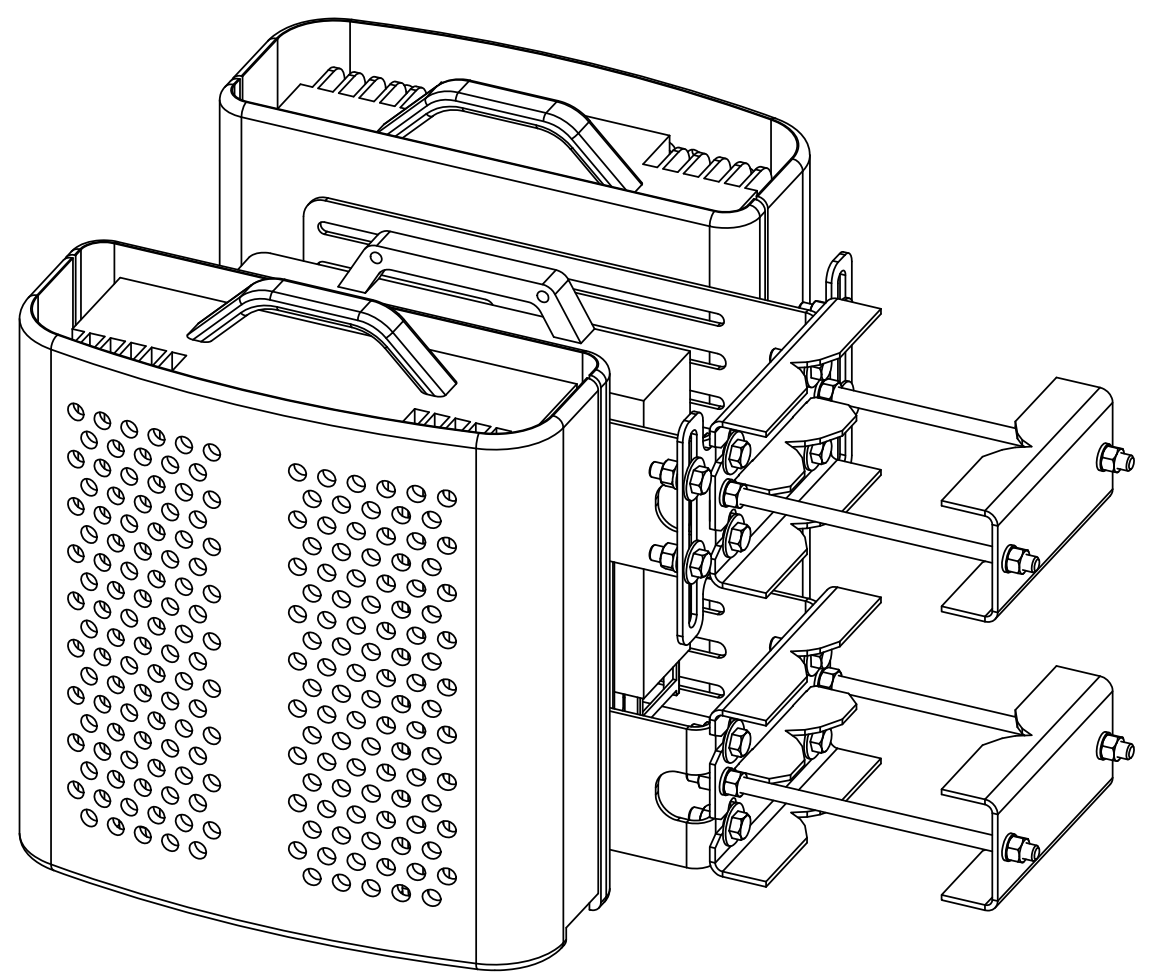
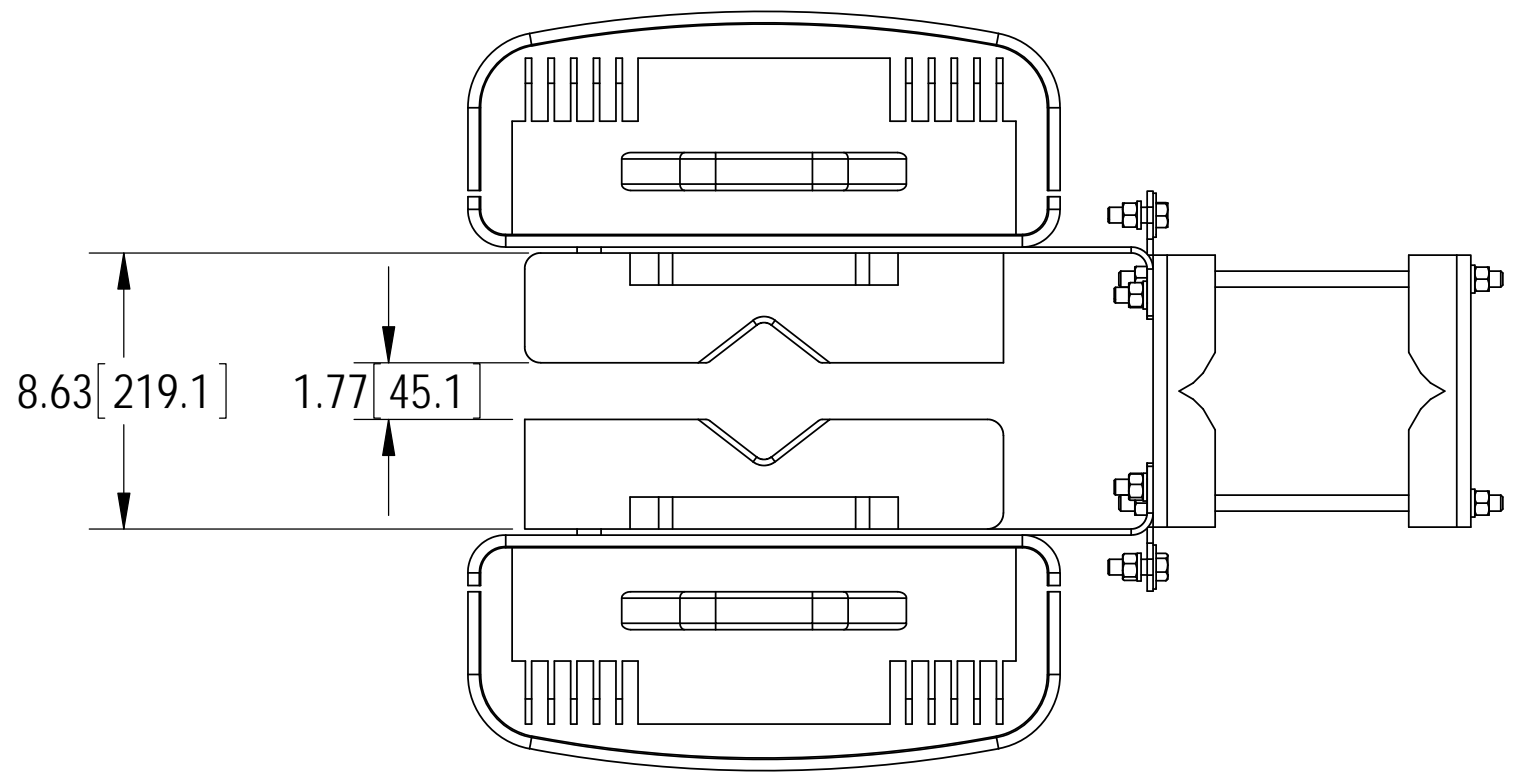
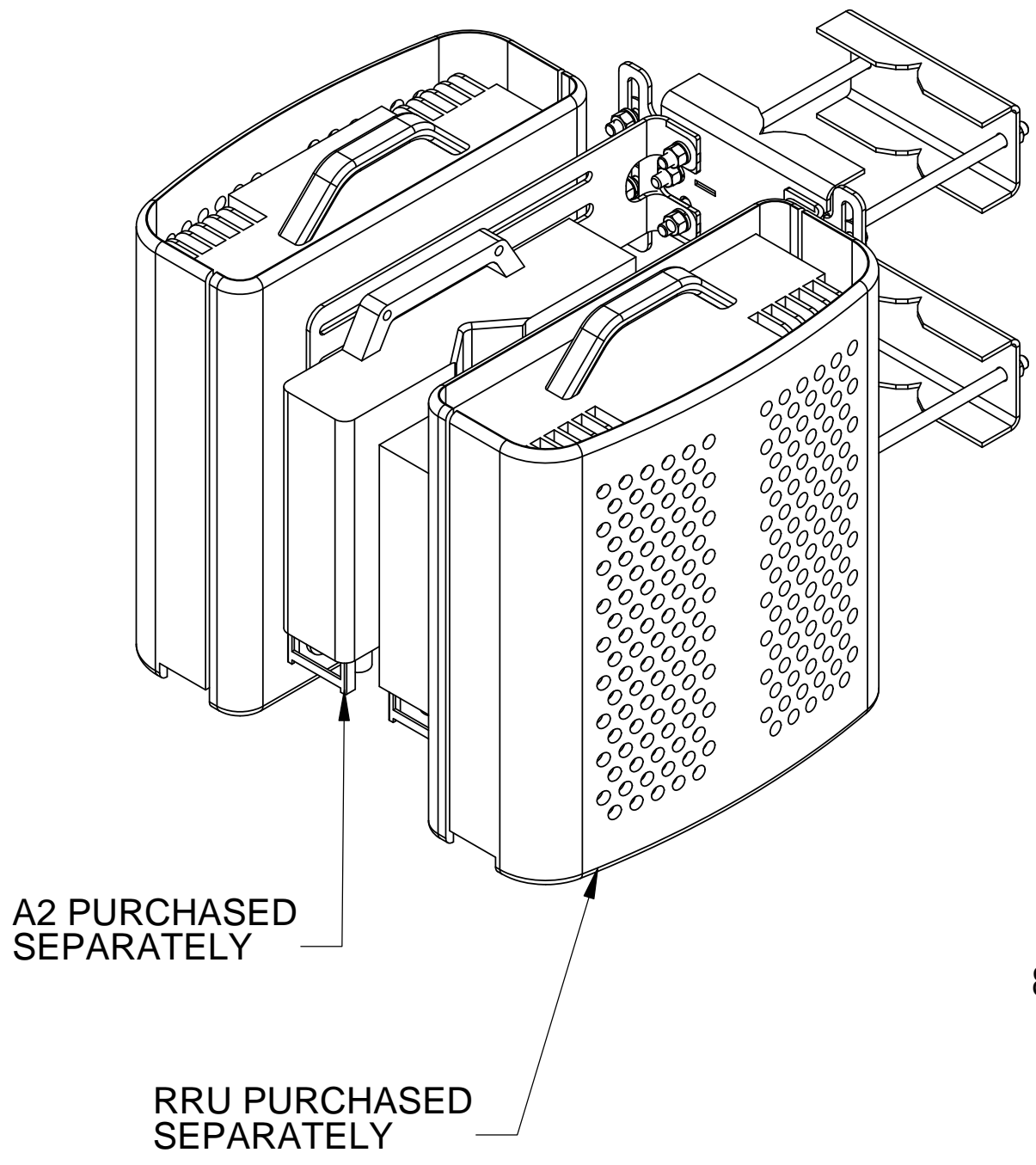
3

2

1

NOTES:

1.0 EXAMPLE INSTALLATION WITH RRU'S AND A2 RADIOS.



COMMSCOPE, INC. OF NORTH CAROLINA				
TITLE				
<b>FAST ACCESS DUAL RRU MOUNT</b>				
SIZE	SCALE	DOCUMENT NO.		
<b>C</b>	<b>1:6</b>	<b>RR-FA2-EXT</b>		
		DRAWING		SHEET
		VERSION	STATUS	REVISION
				<b>A</b>
				6 OF 6

PATENT PENDING

© 2015 CommScope, Inc. Confidential

4

3

2

1

D

D

C

C

B

B

A

A