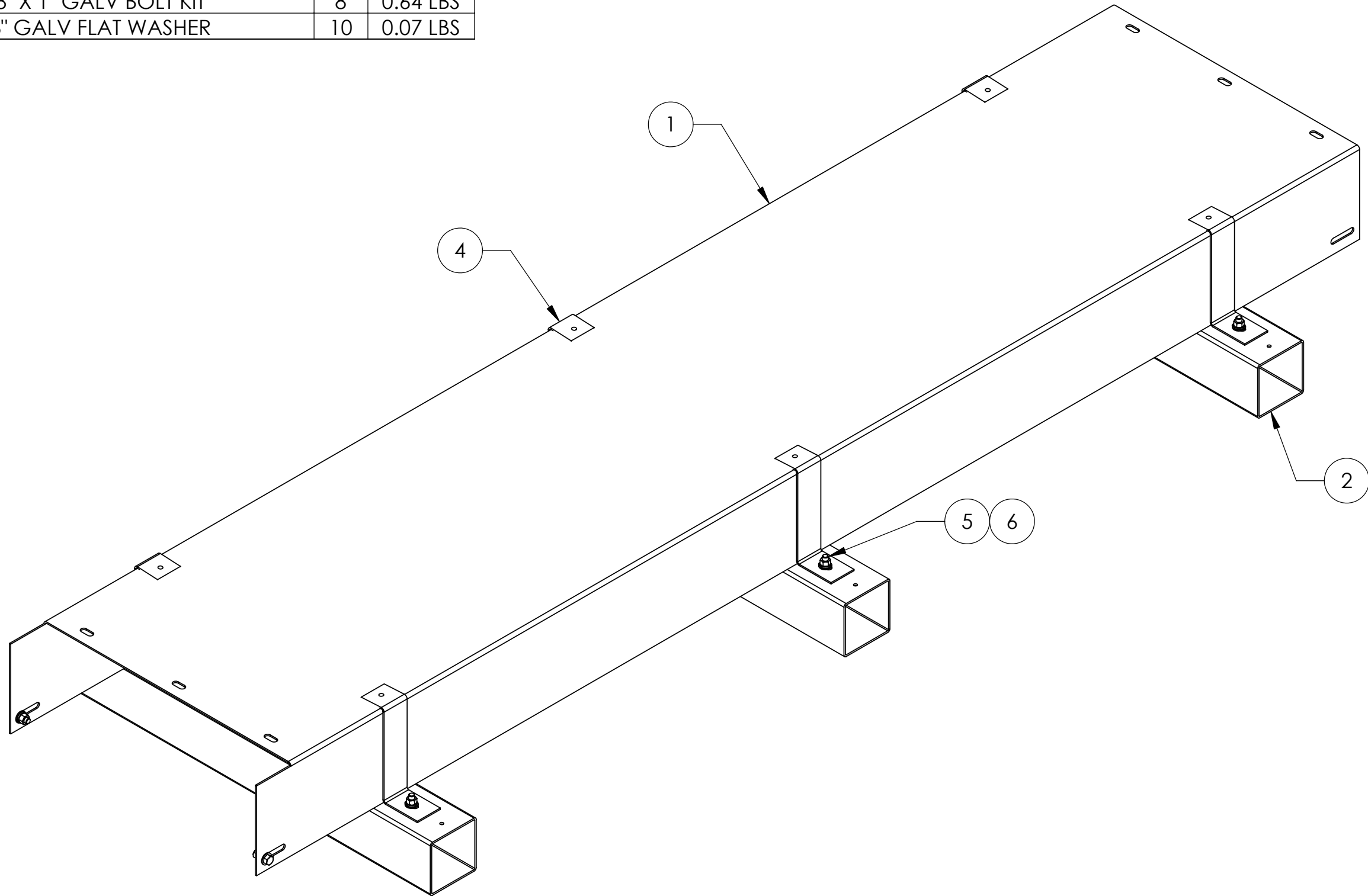



ITEM	PART NO.	DESCRIPTION	QTY.	WEIGHT
1	RTCB8D.01	COAX COVER (8 RUNS)	1	100.86 LBS
2	MT-F1599	PVC ROOF SLEEPER FOR 8 RUNS OF COAX	3	5.30 LBS
3	RTCUH	UNIVERSAL HARDWARE KIT (ITEMS 4-6)	1	
4	RTHC.01	ROOF TOP COVER CLIP	6	0.71 LBS
5	GB-03105	3/8" X 1" GALV BOLT KIT	8	0.64 LBS
6	GWF-03	3/8" GALV FLAT WASHER	10	0.07 LBS

REVISIONS				
REV.	ZONE	DESCRIPTION	BY	DATE
A		INITIAL RELEASE	AW	02/07/05
B		UPDATE HARDWARE KIT	ACG	04/06/05
C		ADDED HOLE TO ITEM 4	ACG	03/06/06
D		UPDATE PART LIST	ACG	08/17/06



NOTES:
 1. $\phi 5/16$ " HOLE INCLUDED IN ITEM 4 FOR OPTIONAL (NOT INCLUDED) $1/4$ " SELF-DRILLING SCREW.

<small>These drawings and specifications are the proprietary property of ANDREW CORPORATION and may be used only for the specific purpose authorized in writing by Andrew Corporation.</small> ALL DIMENSIONS ARE IN INCHES U.O.S. TOLERANCES UNLESS OTHERWISE SPECIFIED: .X = $\pm .06$ ANGLES $\pm 2'$.XX = $\pm .03$ FRACTIONS $\pm 1/32$.XXX = $\pm .010$ REMOVE BURRS AND BREAK EDGES .005 DO NOT SCALE THIS PRINT	DRAWN BY: AW	SHEET: 1 of 1	PART NUMBER: RT-CB8D
	CHECKED BY: TP	SCALE: NTS	DESCRIPTION: ROOF TOP COAX KIT 8 RUNS
	DATE: 02/07/05	MATERIAL: A568	DRAWING TYPE: ASSEMBLY DRAWING
	REVISION: D	FINISH: GALV A123	 ORLAND PARK, IL. 60462 U.S.A.
	WEIGHT: 121.69 LBS		