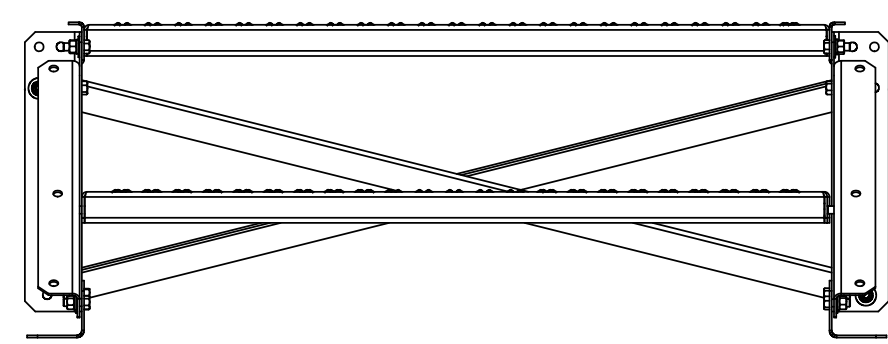
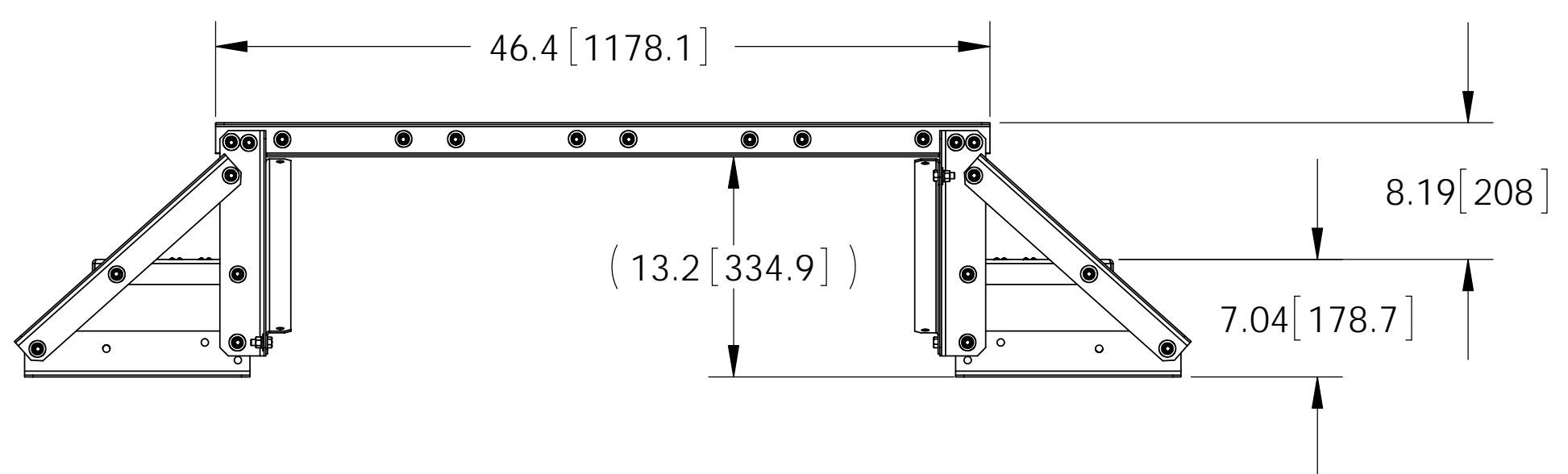
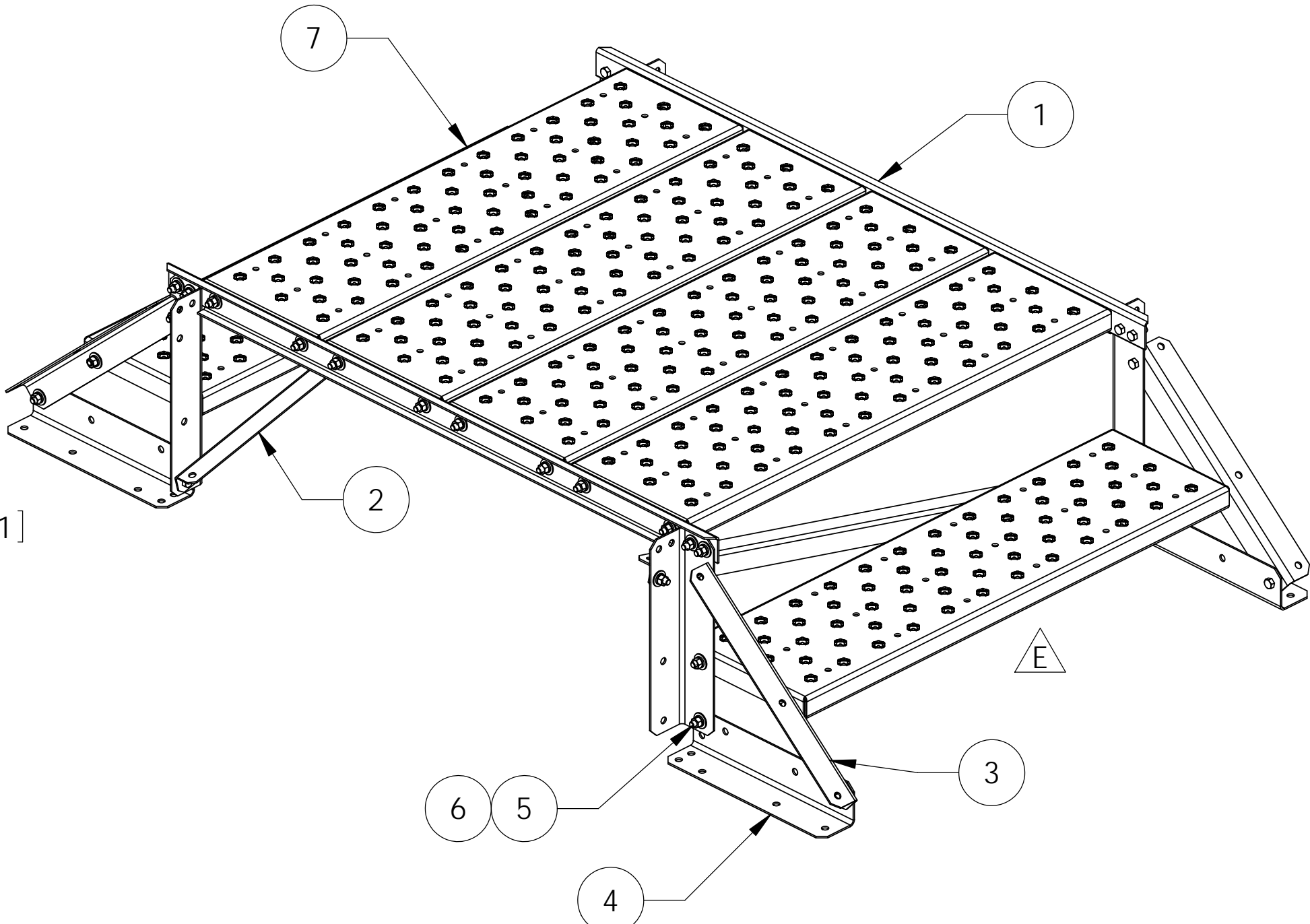
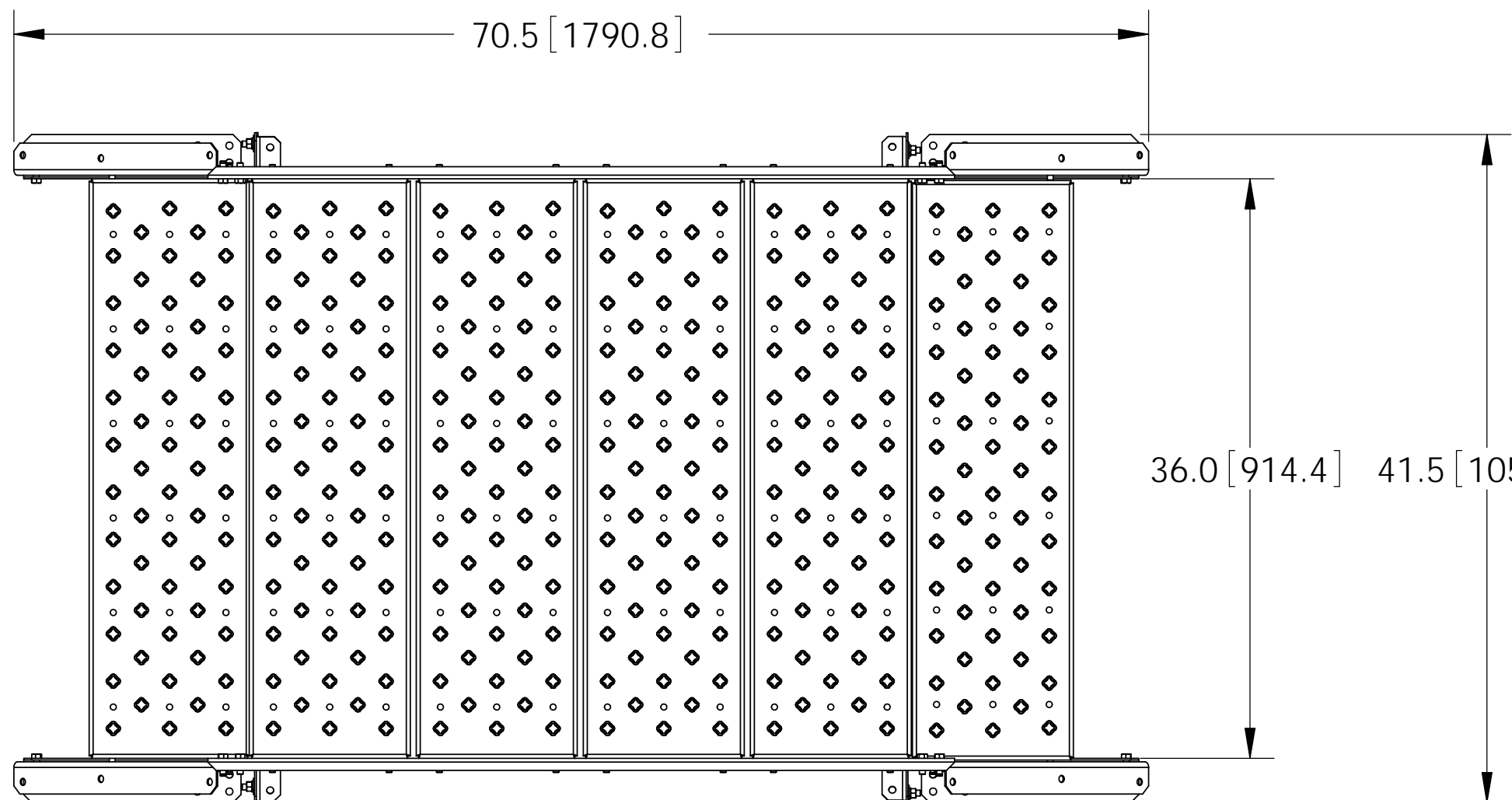



ITEM	PART NO.	DESCRIPTION	QTY.	WEIGHT
1	RTST.06	RT-ST TOP GRATE ANGLE	2	4.28 LBS
2	RTST.07	Brace Angle RT-ST	2	3.52 LBS
3	RTST.08	Step Angle	4	1.89 LBS
4	RTST.09	Vertical/Bottom RTST Angle	8	2.10 LBS
5	GB-03105	3/8" X 1" GALV BOLT KIT	48	0.05 LBS
6	GWF-03	3/8" GALV FLAT WASHER	48	0.01 LBS
7	EQPS36	STEP, GALVANIZED	6	17.05 LBS

REVISIONS				
REV.	ZONE	DESCRIPTION	BY	DATE
A		INITIAL RELEASE	AW	06/27/06
B		CHANGED BOLT TO 1-1/4"	AW	08/21/06
C		UPDATE HARDWARE KIT	ACG	12/27/06
D		REDESIGN OF UNIT	MSM	07/15/08
E	8000024661	REPLACED STEPS W/ EQPS36	QDL	07/06/17



NOTES:
 1. ALL METRIC DIMENSIONS ARE IN BRACKETS.
 2. UP TO 5% ADDITIONAL HARDWARE INCLUDED.

These drawings and specifications are the proprietary property of ANDREW CORPORATION and may be used only for the specific purpose authorized in writing by Andrew Corporation. ALL DIMENSIONS ARE IN INCHES U.O.S. TOLERANCES UNLESS OTHERWISE SPECIFIED: .X = ± .12 ANGLES ± 2° .XX = ± .06 FRACTIONS ± 1/32 .XXX = ± .03 REMOVE BURRS AND BREAK EDGES .005 DO NOT SCALE THIS PRINT	DRAWN BY: AW CHECKED BY: TP DATE: 06/27/06 REVISION: E	SHEET: 1 of 1 SCALE: NTS MATERIAL: A36 FINISH: GALV A123 WEIGHT: 146.44 LBS	PART NUMBER: RT-ST DESCRIPTION: RT-ST ASSEMBLY DRAWING TYPE: ASSEMBLY DRAWING  ORLAND PARK, IL. 60462 U.S.A.
---	---	---	--