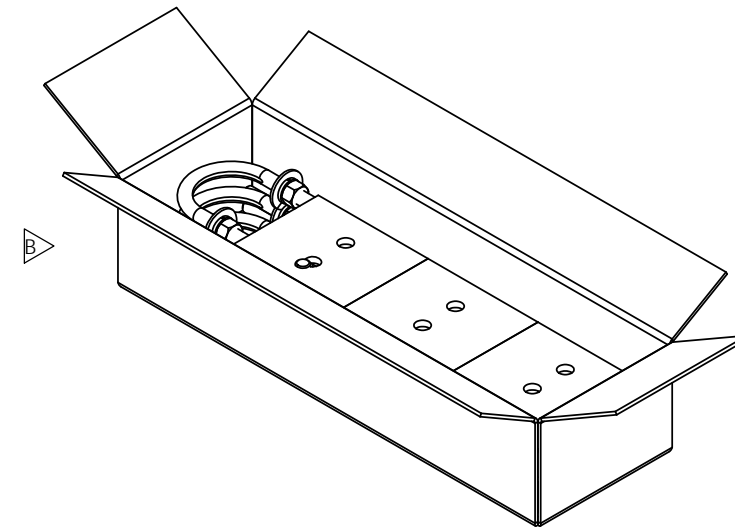


NOTES:

REVISIONS				
REV.	ZONE	DESCRIPTION	BY	DATE
A		INITIAL RELEASE	MSM	06/16/09
B	8000012645	CHG BOM, ADD PACKING	CEB	2/23/2016

ITEM	PART NO.	DESCRIPTION	QTY.	WEIGHT	NOTE NO.
1	BX22	Box Kraft 19" x 6" x 4"	1	-	
2	OS15034	3/4" X 1-1/2" OFFSET COLLAR	1	0.14 LBS	
3	SAB05	FORMED CLAMP	2	3.22 LBS	
4	MT37916	1/2" X 16" GALV THREADED ROD	2	0.88 LBS	
5	XA2020.01	CROSS OVER ANGLE	3	2.65 LBS	
6	GUB-4240	1/2" X 2-1/2" X 4" GALV U-BOLT	3	0.56 LBS	
7	SABLHB	HARDWARE BAG FOR SA-BL	1	0.88 LBS	
8	DOCUMENT RECORD	INSERT DRAWING SA-BL INTO BOX	1	-	

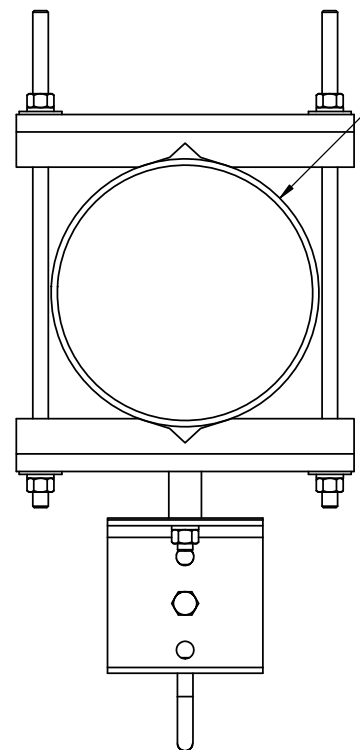
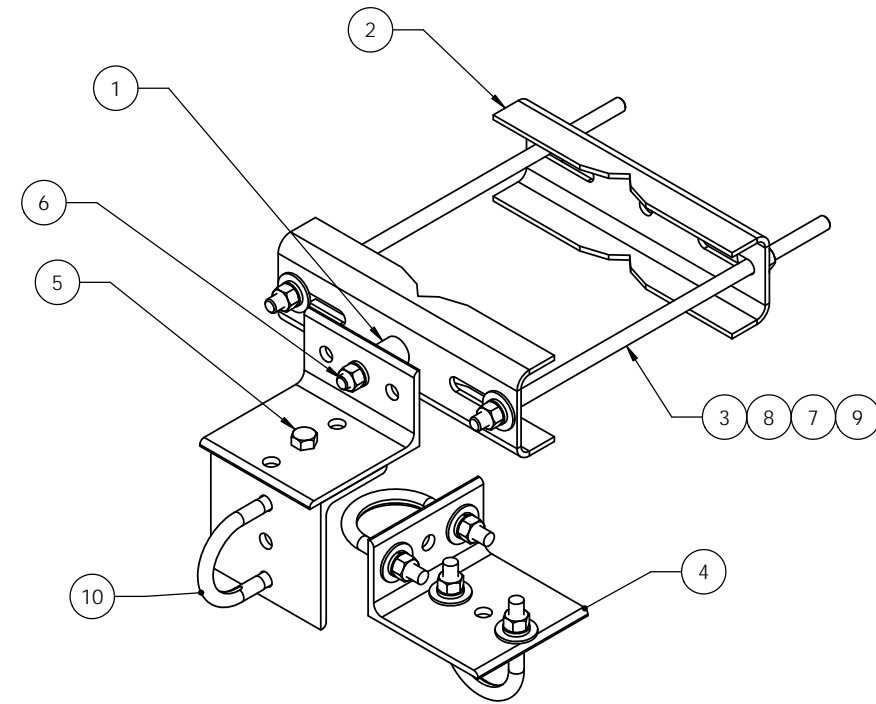


COMMSCOPE, INC. OF NORTH CAROLINA

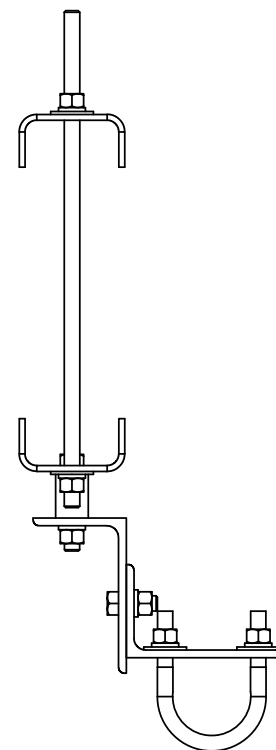
TOLERANCES		SAP MATERIAL MASTER															
0 PLACE X ± .25	2 PLACE .XX ± .06	<b>SA-BL</b>															
1 PLACE X ± .12	ANGLES ± 2°																
FINISH		MATERIAL															
GALV A123		A36															
UNLESS OTHERWISE SPECIFIED, DIMENSIONS ARE IN MILLIMETERS INTERPRET PER ISO STANDARDS HANDBOOK, TECHNICAL DRAWINGS, VOLUMES 1 & 2, THIRD EDITION (2002)		NAME	DATE														
<table border="1"> <tr> <td>DENSITY</td> <td>0.16</td> <td>lbs/in<sup>3</sup></td> </tr> <tr> <td>MASS</td> <td>19.72</td> <td>lbs</td> </tr> <tr> <td>VOLUME</td> <td>126.55</td> <td>in<sup>3</sup></td> </tr> <tr> <td>SURFACE AREA</td> <td></td> <td>in<sup>2</sup></td> </tr> </table>		DENSITY	0.16	lbs/in <sup>3</sup>	MASS	19.72	lbs	VOLUME	126.55	in <sup>3</sup>	SURFACE AREA		in <sup>2</sup>	CE	MSM	6/19/09	TITLE <b>STIFF ARM CLAMP, LRGE, OR 3.5"-8-5/8" OD</b>
		DENSITY	0.16	lbs/in <sup>3</sup>													
		MASS	19.72	lbs													
		VOLUME	126.55	in <sup>3</sup>													
SURFACE AREA		in <sup>2</sup>															
RV																	
AD																	
RE	TP	6/19/09	SCALE <b>1:4</b>														
ECN	8000012645	DOCUMENT NO. <b>SA-BL</b>															
HEIGHT	SIZE		WORK AREA	MODEL	DRAWING			SHEET 1 OF 2									
LENGTH	<b>C</b>			VERSION	STATUS	REVISION	VERSION		STATUS	REVISION							
WIDTH										B							

NOTES: 1.0 ALL METRIC DIMENSIONS ARE IN INCHES.

ITEM	PART NO.	DESCRIPTION	QTY.	WEIGHT	NOTE NO.
1	OS15034	3/4" X 1-1/2" OFFSET COLLAR	1	0.14 LBS	
2	SAB05	FORMED CLAMP	2	3.22 LBS	
3	MT-379-16	1/2" X 16" GALV THREADED ROD	2	0.88 LBS	
4	XA2020.01	CROSS OVER ANGLE	3	2.65 LBS	
5	GB-04125	1/2" X 1-1/4" GALV BOLT KIT	1	0.12 LBS	
6	GB-04265	1/2" X 2-3/4" GALV BOLT KIT	1	0.20 LBS	
7	GWL-04	1/2" GALV LOCK WASHER	4	0.01 LBS	
8	GN-04	1/2" GALV HEX NUT	4	0.04 LBS	
9	GWF-04	1/2" GALV FLAT WASHER	4	0.03 LBS	
10	GUB-4240	1/2" X 2-1/2" X 4" GALV U-BOLT	3	0.56 LBS	



UP TO: Ø8.63 [219.1] PIPE  
8" 60° ANGLE  
6" 90° ANGLE



COMMSCOPE, INC. OF NORTH CAROLINA				
TITLE				
<b>STIFF ARM CLAMP, LRGE, OR 3.5"-8-5/8" OD</b>				
SIZE	SCALE	DOCUMENT NO.		
<b>C</b>	<b>1:4</b>	<b>SA-BL</b>		
		DRAWING		SHEET
		VERSION	STATUS	REVISION
				B
				2 OF 2