

Micro Duct Cable Closure

Content

- 1 Product introduction**
- 2 Cable preparation**
- 3 Closure installation**
 - 3.1 1W cable installation
 - 3.2 4W/7W cable installation
 - 3.3 12W cable installation
 - 3.4 26W cable installation
- 4 Micro Duct connections**
- 5 Closing of the closure**

1 Product introduction

1.1 Dimensions

Closure external dimension 370×135×50mm

Cable outer diameter

1W (1-way) cable: 7.2mm and 9.0mm

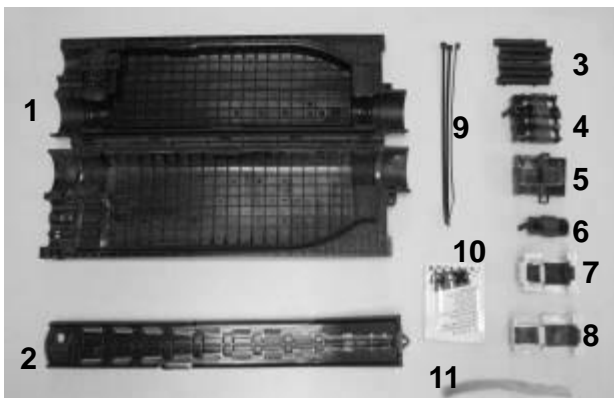
12W (12-way) cable: 23mm

26W (26-way) cable: 36mm

4W (4-way) cable: 14.8mm

7W (7-way) cable: 18mm

1.2 Kit content



- 1. Closure body
- 2. Wedge
- 3. Dummy rods
- 4. 6-port gel block
- 5. 12W drop gel block
- 6. 6-port gel block cover
- 7. 12W adapter (left)
- 8. 12W adapter (right)
- 9. Tie wraps
- 10. Cleaning tissue
- 11. Continuity strap
- 12. Installation instruction



4-Way kit

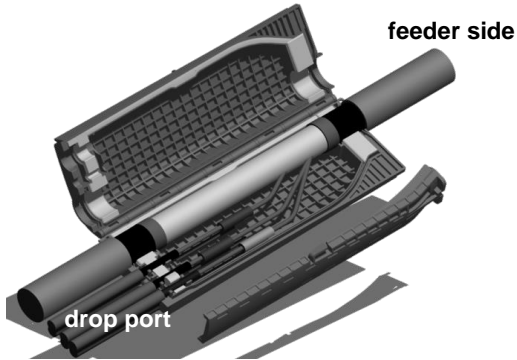


7-way kit

1.3 Product application

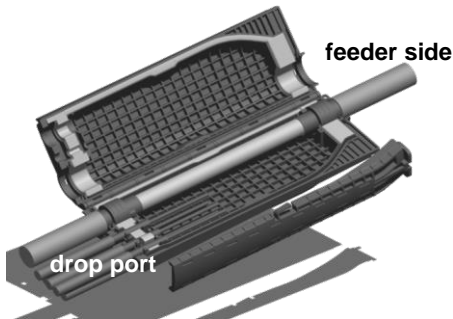
Application 1

2×26 way micro duct cable in - 6x1way micro duct cable out



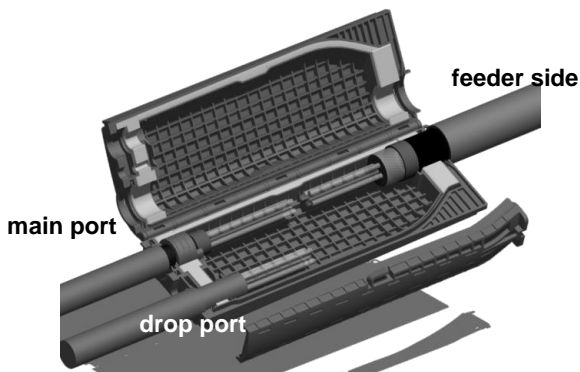
Application 2

2×12 way micro duct cable in - 6x1way micro duct cable out



Application 3

- 1×26 way micro duct cable in - 2x12 way micro duct cable out
- 2x1 way + 1x 4 way cable in drop port
- 2x1 way + 1x 7 way cable in drop port

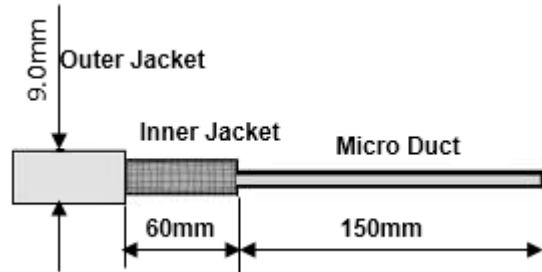


2 Cable preparation

2.1 Remove the cable sheath and cut the micro ducts for each cable type as indicated below.

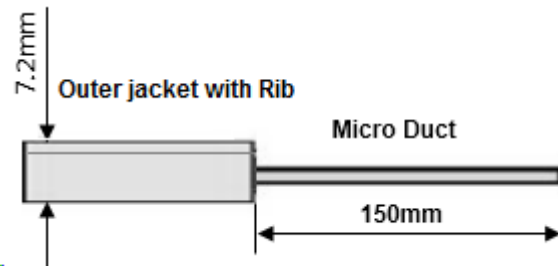
1-way

2.1.1 1-way cable 9mm

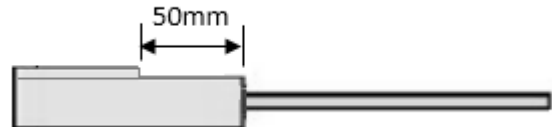


2.1.2 1-way cable 7.2mm

2.1.2.1 Remove 150mm 7.2mm jacket and as below:

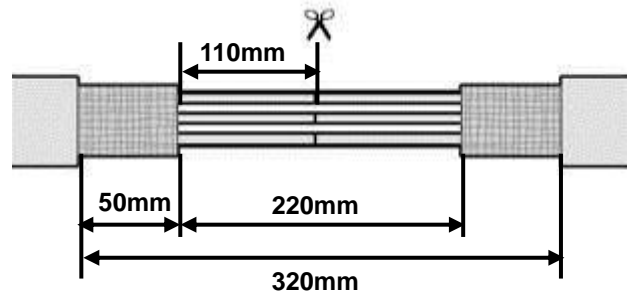


2.1.2.2 Remove 50mm rib on 7.2mm jacket as below, make sure no further damage for 7.2mm outer jacket.



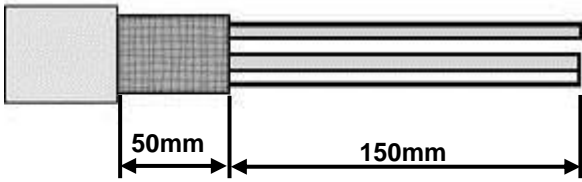
12-way cable

2.1.3 For 12W cable used in Application 2.



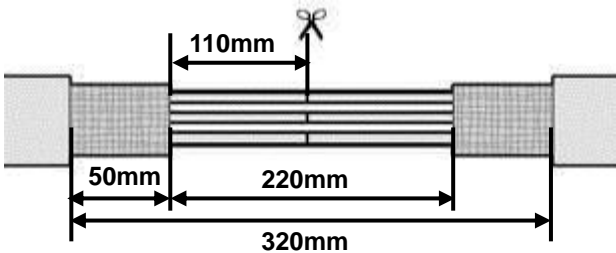
4-way, 7-way and 12 way cable

2.1.4 4-way, 7-way cable and 12W cable used in Application 3, drop port.

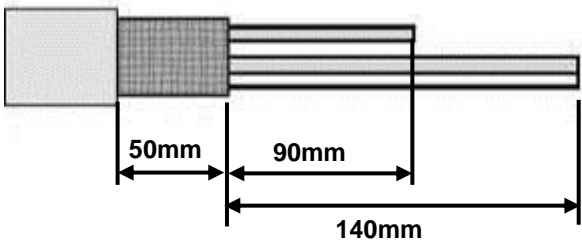


26-way cable

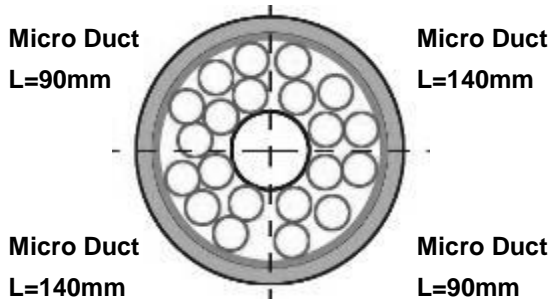
2.1.5 For 26W cable used in Application 1.



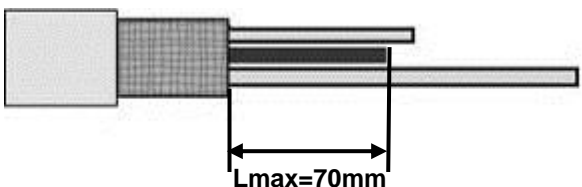
2.1.6 For 26W cable used in Application 3, divide micro ducts into 4 sections (shown in 2.1.6) and cut into the length.



2.1.7

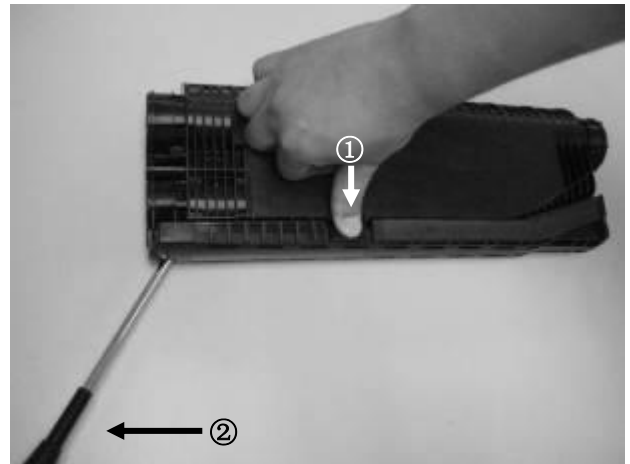


2.2 Leave the 12mm centre micro duct at maximum 70mm for 26W cable in Application 3.



3 Closure installation

3.1 Push the clip and then use the screw driver to open the closure

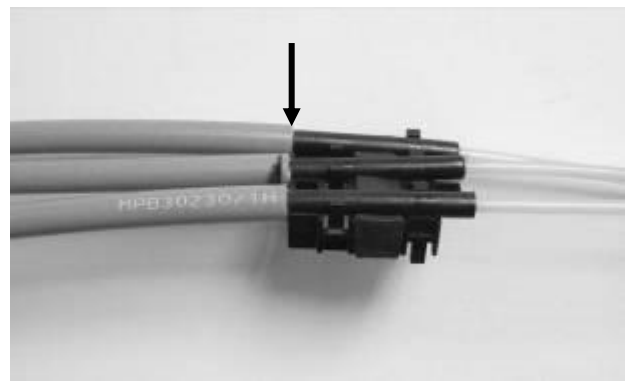


3.2 1W cable installation.

3.2.1 Install the 3pcs 1W cables (or dummy rods) onto the 6-port gel block underside.

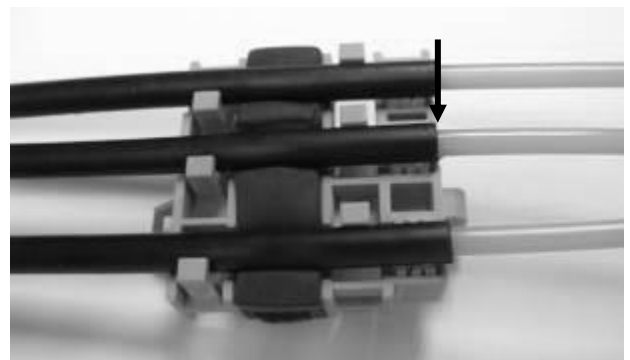
3.2.1.1 For 9.0mm tube as below:

Note: Make sure the outer jacket contacts gel port end surface as shown.

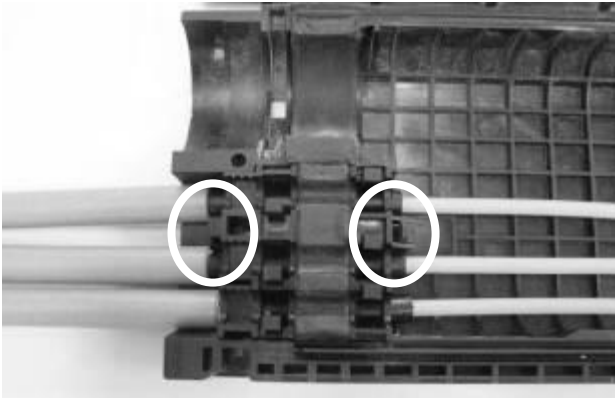


3.2.1.2 For 7.2mm tube as blow

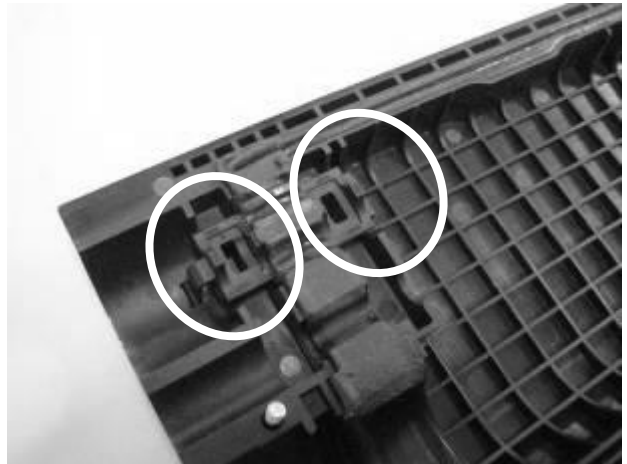
Note: Make sure the outer jacket exceed gel port end surface as shown.



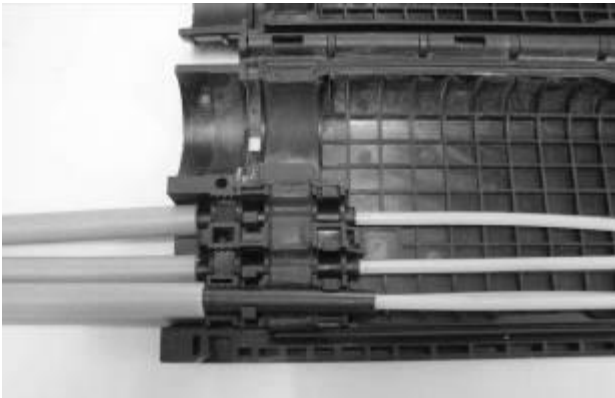
3.2.2 Install the 6-port gel block assembly onto the closure with hooking the gel block two sides as shown.



3.2.4 Install the 6-port gel block cover. Click in as shown



3.2.3 Install the top 3pcs 1W cables (or dummy rods) onto the 6-port gel block top side.



Note:

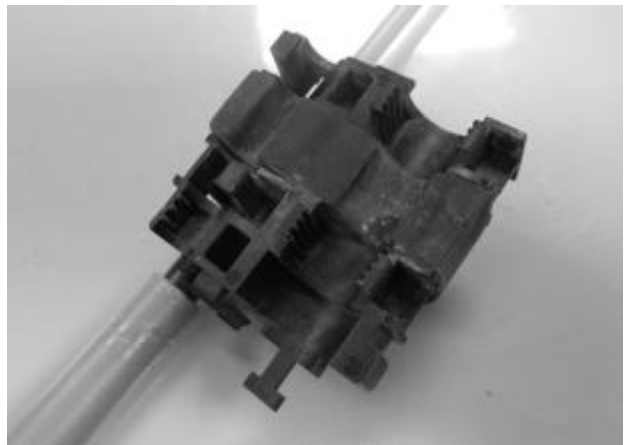
Fit the dummy rod tabs at the slots as shown.



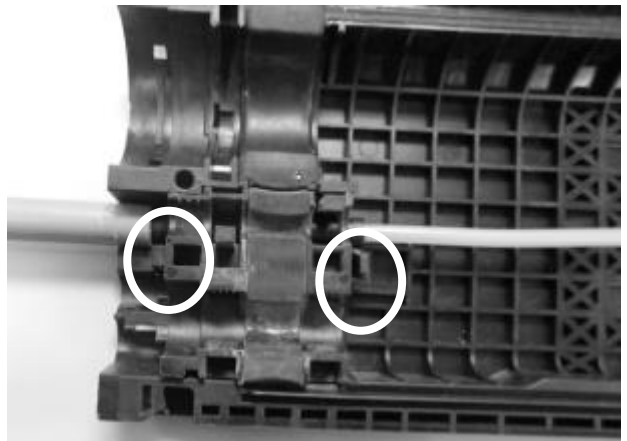
3.3 4W/7W cable installation.

3.3.1 Install the 1pc 1W cables (or dummy rods) onto the 4-way gel block underside.

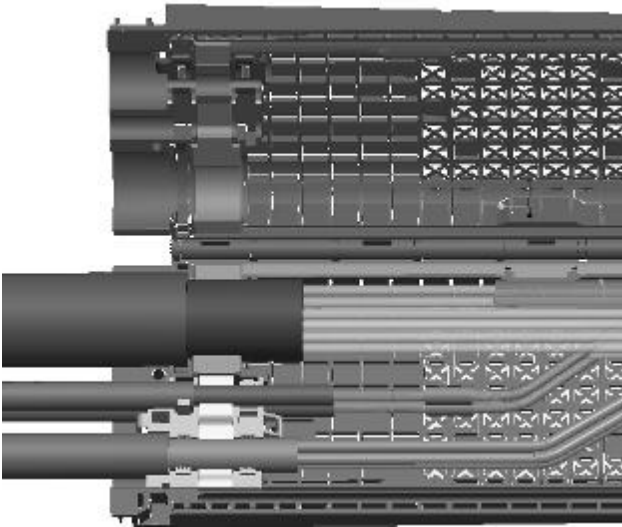
Note: Make sure the outer jacket contacts gel port end surface as shown.



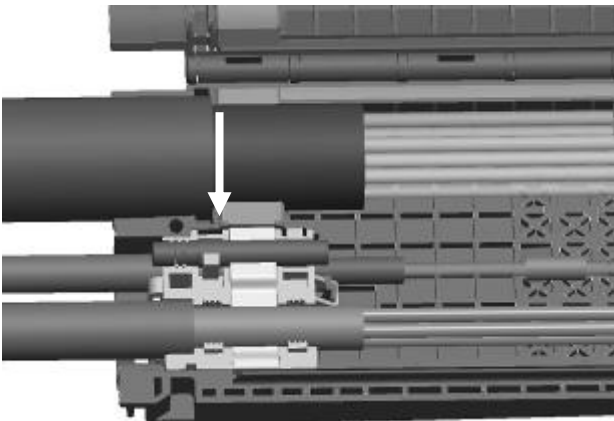
3.3.2 Install the 4W or 7W gel block assembly onto the closure with hooking the gel block two sides as shown.



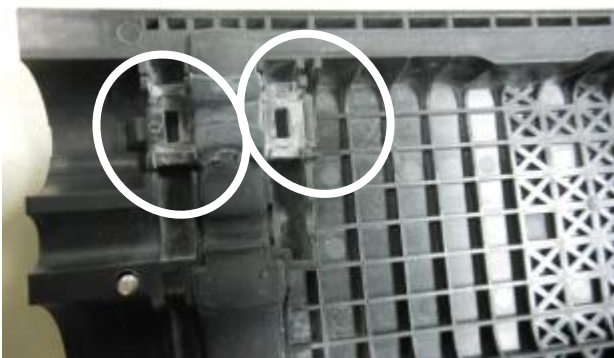
3.3.3 Install the top 1pc 1W cables (or dummy rods) and 4W/7W cable.



Note: For dummy rod installation, fit the dummy rod end at the slots as shown.



3.3.4 Install the 4W gel block cover.

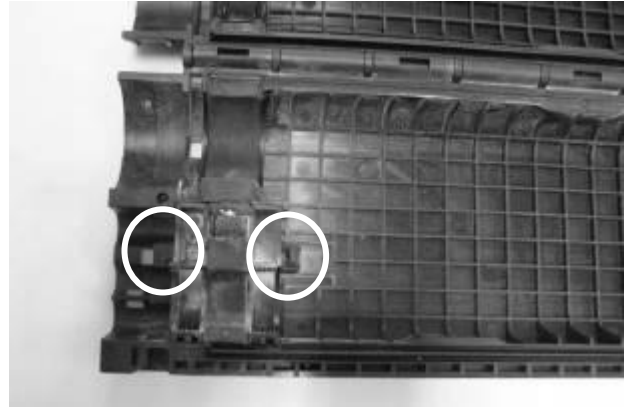


Note: There is no additional gel block cover for 7W cable, it is suitable for the original gel block in closure cover.

3.4 12W cable installation

12W cable in drop cable port

3.4.1 Install the 12W drop gel block with click two snaps.

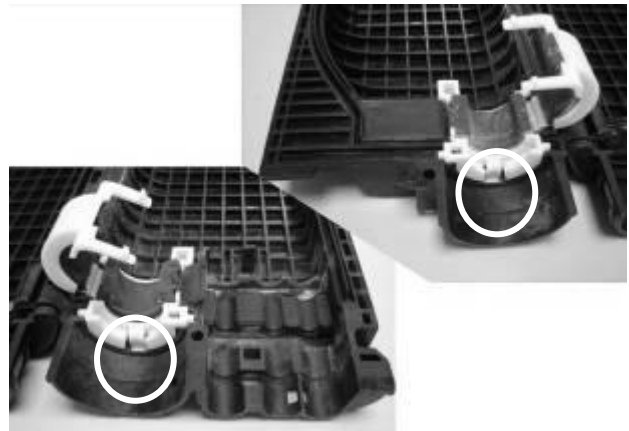


3.4.2 Position the cable onto the closure.

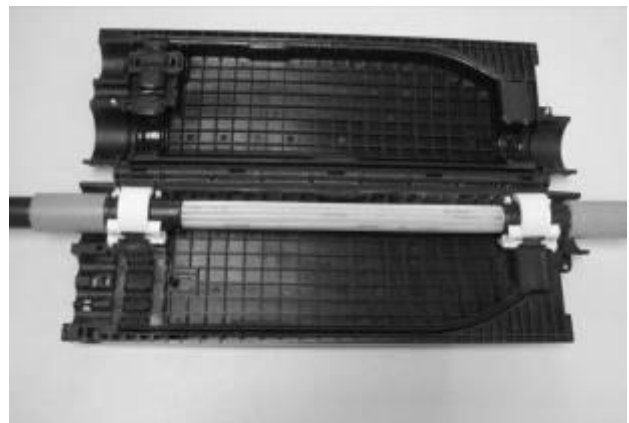
Note: Always make sure the outer jacket end meets the gel port surface.

12W cable in main cable port

3.4.3 Install the left and right 12W adapters onto the closure.



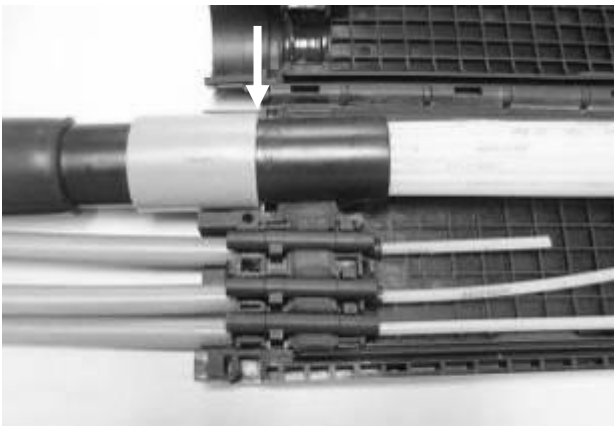
3.4.4 Position the 12W cable onto the closure and close the adapters.



3.5 26W cable on main cable port installation

3.5.1 Position the cable onto the closure.

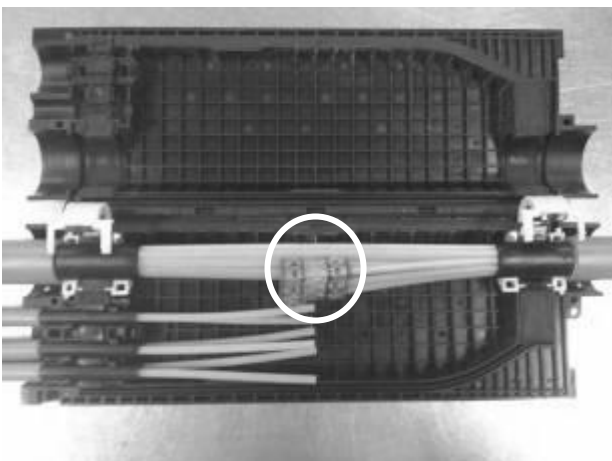
Note: Make sure the outer jacket end meets the port end-face as shown.



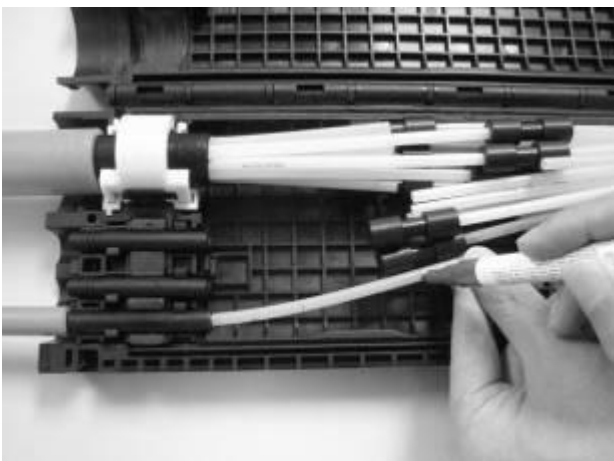
4 Micro Duct Connections

4.1 Install connectors from bottom side micro ducts.

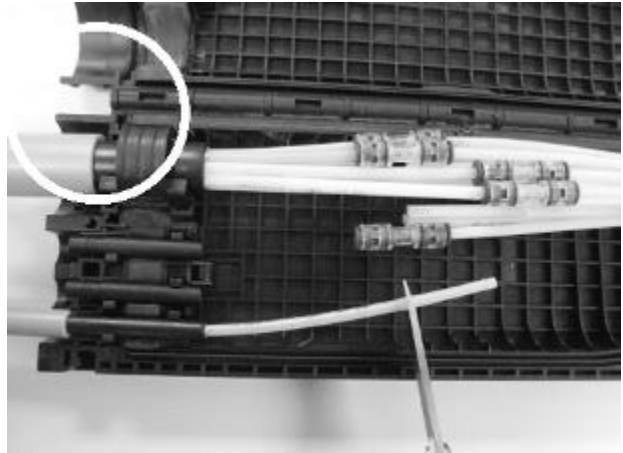
4.2 Install the connectors onto the feeder cable micro ducts.



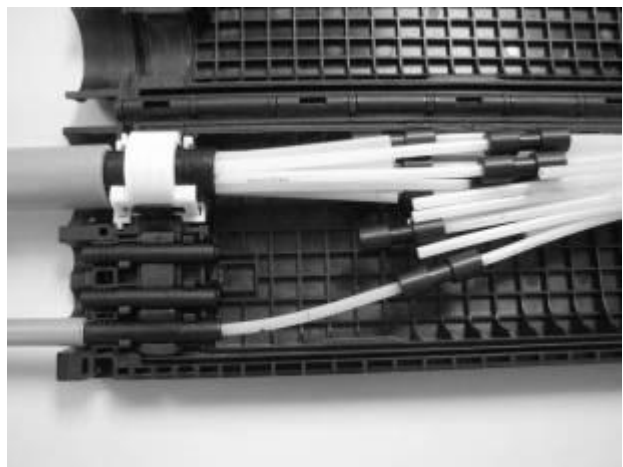
4.3 Mark the drop cable at the connector.



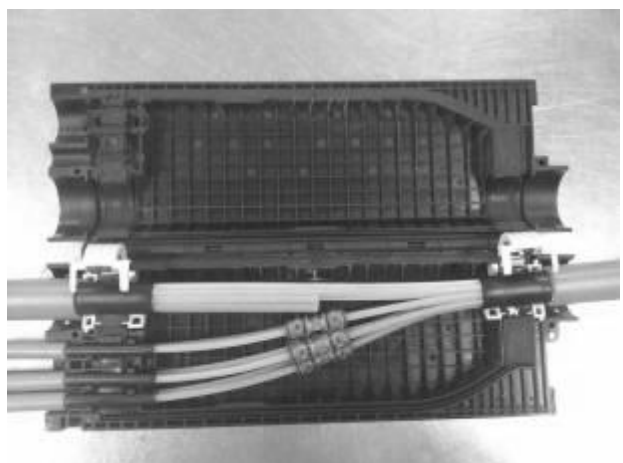
4.4 Cut the micro ducts at the mark.



4.5 Connect the micro ducts with connectors.

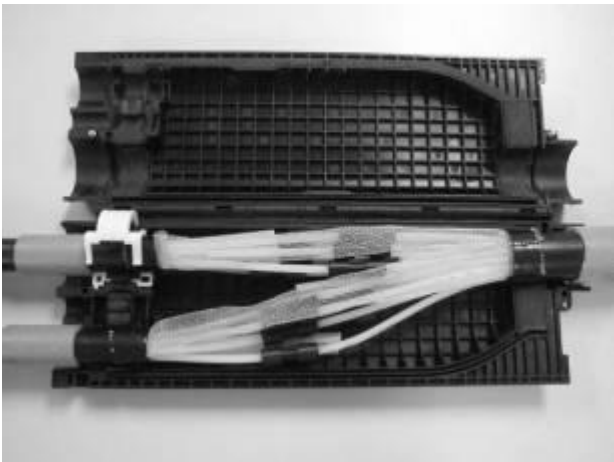


4.6 Repeat steps 4.1-4.5 to connect all the feeder micro ducts to drop micro ducts.



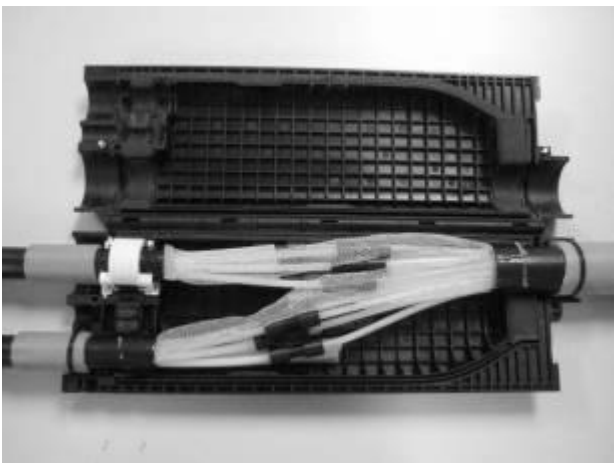
4.7 Release the left and right 12W adapters to install the continuity strap.

Note: Make sure the PVC tape has no contact with gel port.



4.8 Check if all cable outer jacket ends contact the port end-face.

4.9 Close the 12W adapter and secure the 12W cable in drop port and 26W cable by a tie wrap as shown.
Note: The tie wrap knot is located at the closure outer surface. (refer to 4.10)



4.10 Tie wrap knot location.

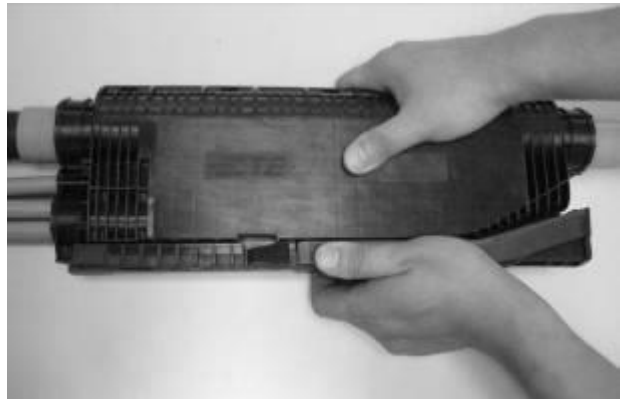


5 Closing of the closure

5.1 Close the closure and check if the screws are in the right position.



5.2 Close the wedge until a click.



5.3 Tighten the screws at closure two sides to close the closure.



To obtain information on CommScope® products, visit our website at <http://www.commscope.com/SupportCenter/TechnicalSupport.aspx>

© 2017 CommScope, Inc.
All rights reserved

This product is covered by one or more U.S. patents or their foreign equivalents. For patents, see www.commscope.com/ProductPatent/ProductPatent.aspx

CommScope (logo) and CommScope are trademarks.

Users should rely on their own judgment to evaluate the suitability of a product for a certain purpose and test each product for its intended application. CommScope's only obligations are those stated in CommScope's Standard Terms and Conditions of Sale. CommScope expressly disclaims any implied warranty regarding the information contained herein, including, but not limited to, the implied warranties of merchantability or fitness for a particular purpose.