

Fiber Drum Kit

Contents

1.	General	1
1.1	Ordering Information	1
1.2	Tools Required	1
1.3	Parts List	2
1.4	Important Safety Cautions	2
2	Installation Procedures	2
2.1	Installing Fiber Drums in a SYSTIMAX Shelf	2
2.2	Installing Fiber Drums in a Uniprise/CommScope Shelf	3
3	Contact Information	4

1. General

The fiber drum kit is used for slack fiber management in the rear of SYSTIMAX® and Uniprise® shelves. Each kit includes two drums and provisions to attach them to a shelf.

1.1 Ordering Information

Table 1 gives ordering numbers for the fiber drum kit. Figure 1 shows CommScope fiber drums.

Table 1: Ordering Information

Material ID	Part No.	Description
760056549	G2-Fiber Drum Kit	SYSTIMAX® fiber drum kit for 1 U and 2U 360G2 fiber shelves
760185595	Fiber Drum Kit	Uniprise® fiber drum kit for 1 U, 2U, and 4U fiber shelves

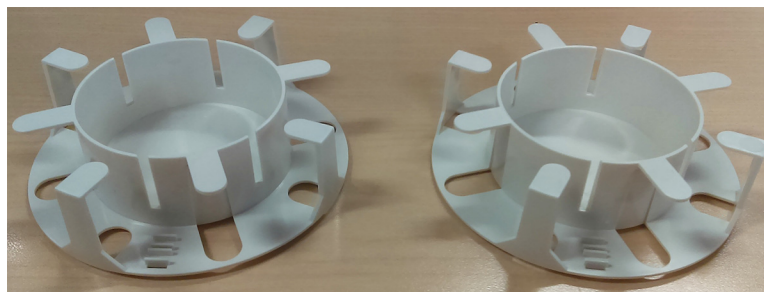


Figure 1. CommScope Fiber Drums

1.2 Tools Required

- Phillips-head screwdriver

- Adjustable wrench
- Lint-free cloth or tissues
- Isopropyl alcohol

1.3 Parts List

Verify the parts received against the parts listed in [Table 2](#).

Table 2: Parts List

G2-Fiber Drum Kit 760056549	Fiber Drum Kit 760185595	Description
2	2	Fiber drum, 3 in (76mm) dia. X 1.25 in (32mm) high
2	2	Fiber drum retainer
0	2	Nylon pan head screw
0	2	Nylon hex nut
1	1	Double-sided adhesive strip
1	1	Installation Instructions (this document)

1.4 Important Safety Cautions

- Disconnected optical components may emit invisible optical radiation that can damage your eyes. Never look directly into an optical component that may have a laser coupled to it. Serious and permanent retinal damage is possible. If accidental exposure to laser radiation is suspected, consult a physician for an eye examination.
- Wearing safety glasses during installation of this shelf is recommended. Although standard safety glasses provide no protection from potential optical radiation, they offer protection from accidental airborne hardware and cleaning solvents.

Note: Double-sided tape is authorized for use to secure fiber drums in lieu of the nylon screw and nut.

2 Installation Procedures

2.1 Installing Fiber Drums in a SYSTIMAX Shelf

Use the following procedure referring to [Figure 2](#).

1. Wipe bottom surface of drums and floor of shelf with isopropyl alcohol (IPA) and a lint-free cloth or tissue to clean and degrease.
2. Peel off paper backing from one side of adhesive strip and apply to base of fiber drum.
3. Remove paper backing from remaining side of adhesive strip.
4. Locate pattern of four slots on floor of shelf. Orient outer spokes of fiber drum to align with these slots as shown, lower drum and press firmly to create good adhesion.

Repeat items 1-4 for remaining drum, if desired.

Note: Drum location and orientation is important to prevent interference between drums, adapters, and RoloSplice (optional).

- Repeat steps 1-4 for remaining drum, if desired.

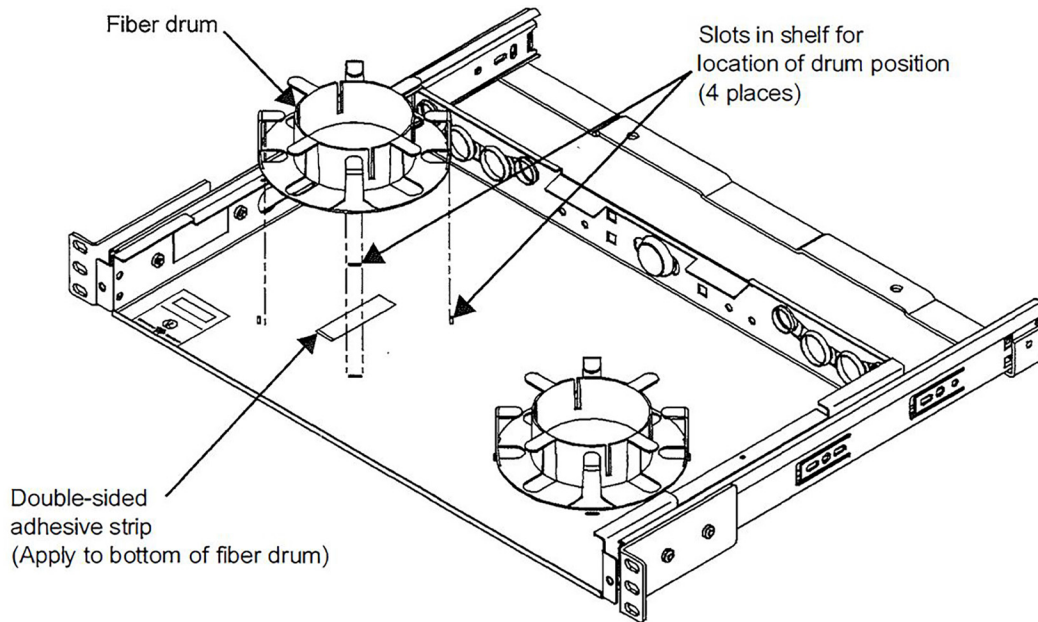


Figure 2. Installing Fiber Drums in a SYSTIMAX Shelf

2.2 Installing Fiber Drums in a Uniprise/CommScope Shelf

Use the following procedure referring to [Figure 3](#).

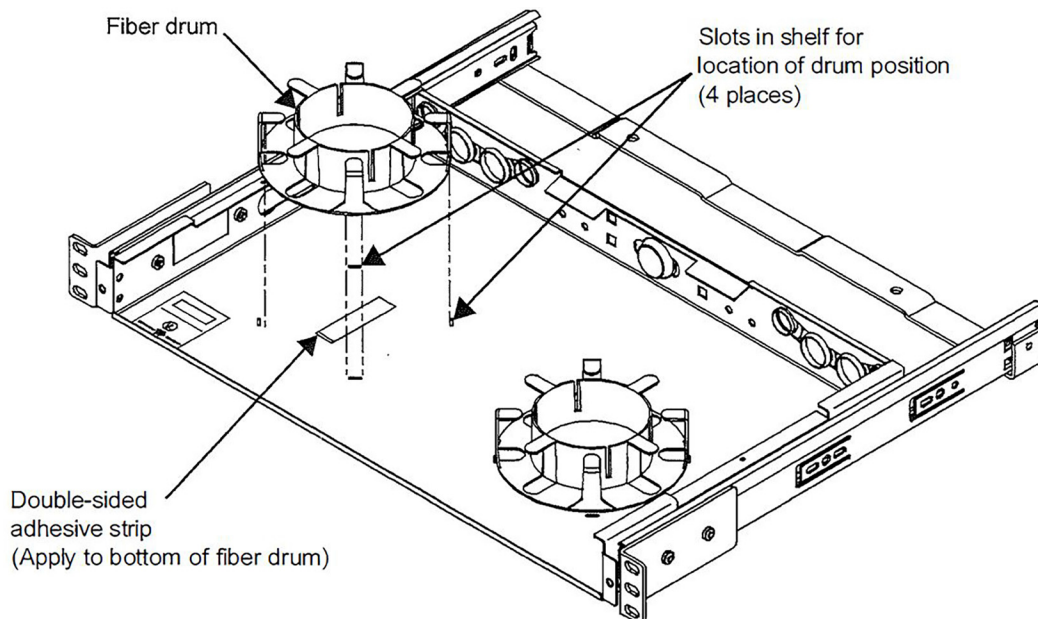


Figure 3. Installing Fiber Drums in a Uniprise/CommScope Shelf

1. Secure fiber drum to shelf floor with nylon screw and nut (provided), inserted through the existing holes in sliding tray as shown.
2. Repeat at remaining location.

3 Contact Information

- To find out more about CommScope® products, visit us on the web at www.commscope.com
- For technical assistance, customer service, or to report any missing/damaged parts, visit us at <http://www.commscope.com/SupportCenter>

