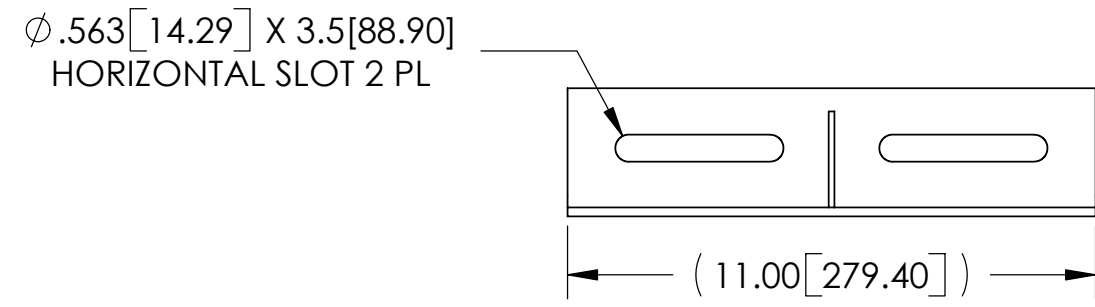
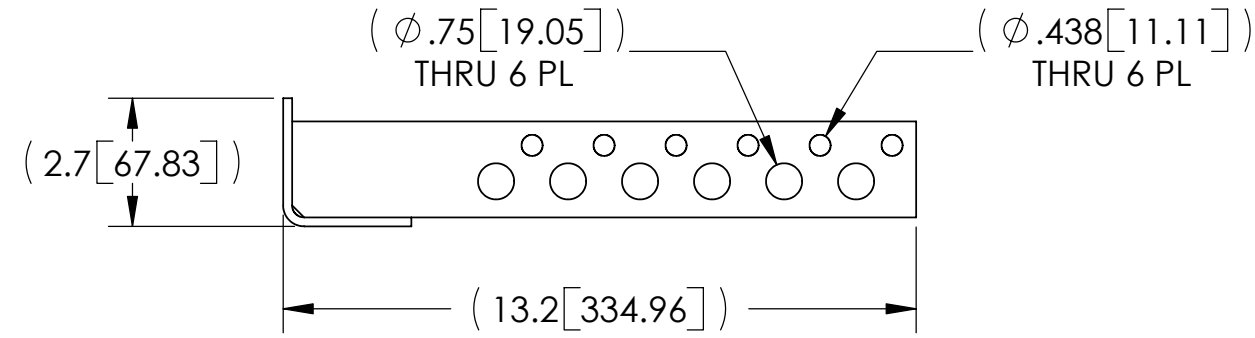
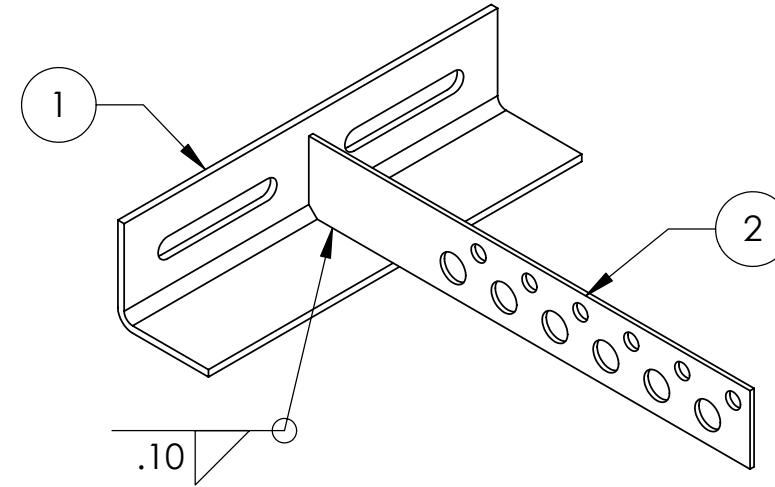
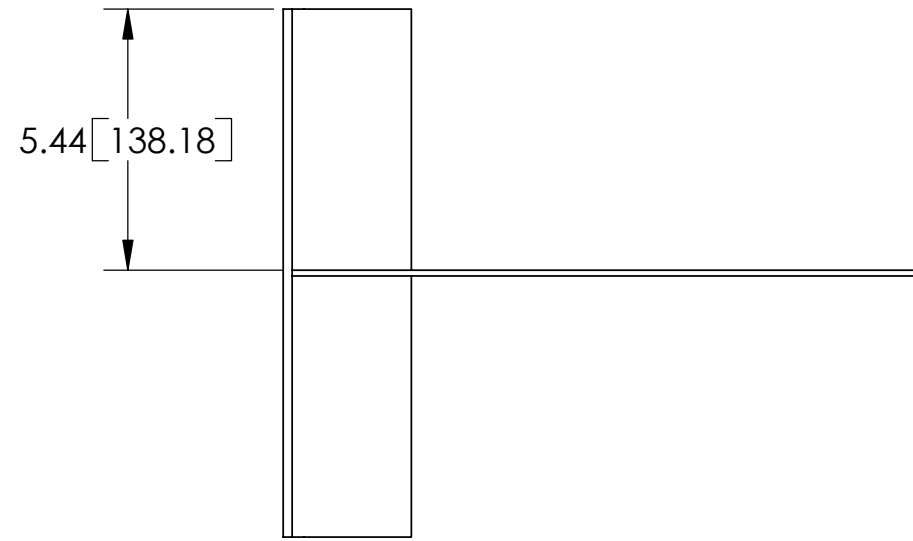



ITEM	PART NO.	DESCRIPTION	QTY.	WEIGHT
1	TLSO.01	TOWER LEG STAND-OFF MOUNTING ANGLE	1	2.72 LBS
2	TLSO6.01	6 HOLE TOWER LEG STAND-OFF BAR	1	0.76 LBS

REVISIONS				
REV.	ZONE	DESCRIPTION	BY	DATE
A		INITIAL RELEASE	ACG	11/11/04



- NOTES:
- ALL METRIC DIMENSIONS ARE IN BRACKETS.
  - STAMP PART IDENTIFICATION NUMBER.
  - WELDING WORKMANSHIP PER AWS D1.1, TABLE 6.1.

<small>These drawings and specifications are the proprietary property of ANDREW CORPORATION and may be used only for the specific purpose authorized in writing by Andrew Corporation.</small> ALL DIMENSIONS ARE IN INCHES U.O.S. TOLERANCES UNLESS OTHERWISE SPECIFIED: .X = .06      ANGLES 2° .XX = .03     FRACTIONS 1/32 .XXX = .010 REMOVE BURRS AND BREAK EDGES .005 DO NOT SCALE THIS PRINT	DRAWN BY: ACG	SHEET: 1 of 1	PART NUMBER: TL-S06
	CHECKED BY: TP	SCALE: NTS	DESCRIPTION: TOWER LEG STAND- OFF BRACKET FOR 6 CABLES
	DATE: 11/11/04	MATERIAL: A36	DRAWING TYPE: SHOP DRAWING
	REVISION: A	FINISH: GALV A123	 ORLAND PARK, IL. 60462 U.S.A.
	WEIGHT: 3.48 LBS		