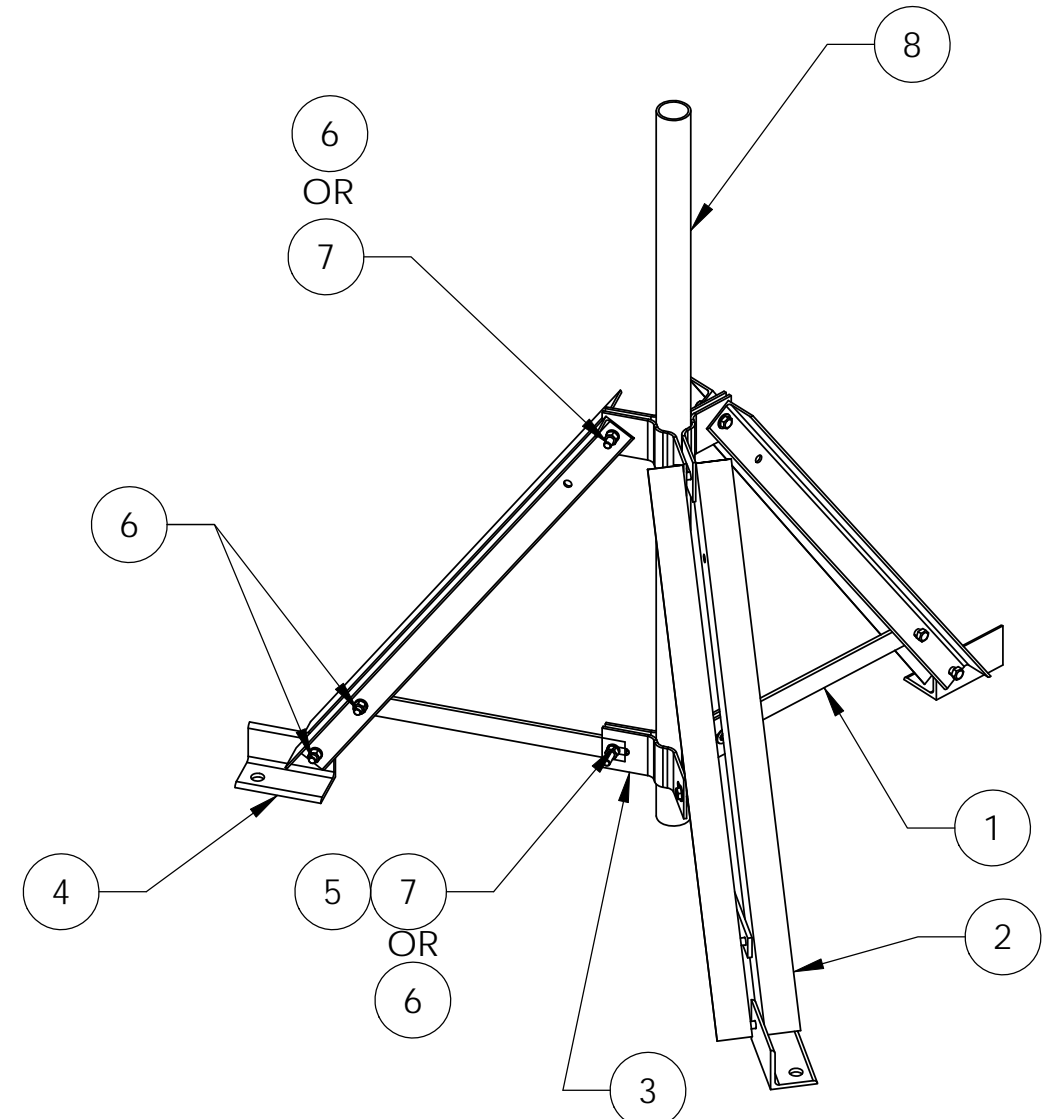
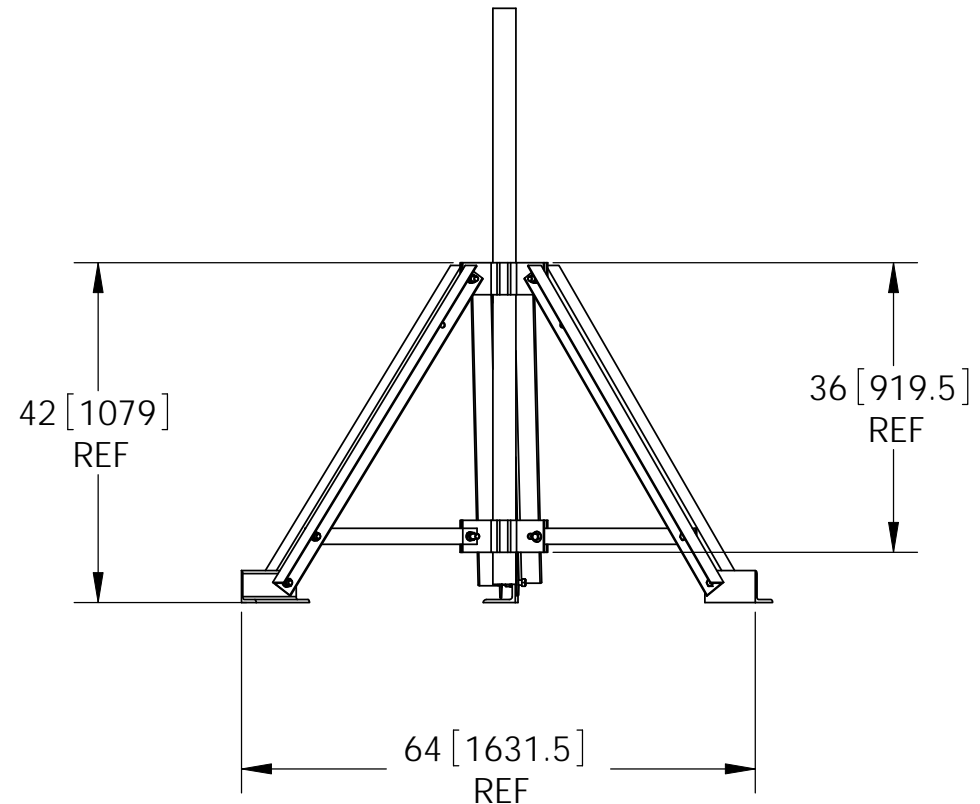


ITEM	PART NO.	DESCRIPTION	QUANTITIES							WEIGHT
			TP-G300-B	TP-G300-72 QTY.	TP-G300-96 QTY.	TP-G300-126 QTY.	TP-G312-72 QTY.	TP-G312-96 QTY.	TP-G312-126 QTY.	
1	TPG412B.04	TRIPOD BRACE	3	3	3	3	3	3	3	4.99 LBS
2	TPG412B.09	TRIPOD LEG ANGLE	6	6	6	6	6	6	6	14.74 LBS
3	TPG300B01	Ø 2.875-3.50" TRIPOD CLAMP	6	6	6	6	6	6	6	3.09 LBS
4	TPG412B.07	TRIPOD FOOT	3	3	3	3	3	3	3	5.84 LBS
5	GWF-05	5/8" GALV FLAT WASHER	6	6	6	6	6	6	6	0.02 LBS
6	GB-05245	5/8"X2-1/2" GALVBOLT KIT	12	12	12	12	6	6	6	0.13 LBS
7	GB-05305	5/8" X 3.0" GALV BOLT KIT	6	-	-	-	-	-	-	0.13 LBS
8	MT54672	Ø 2.875" O.D X 72" PIPE	-	1	-	-	-	-	-	34.88 LBS
8	MT54696	Ø 2.875" O.D X 96" PIPE	-	-	1	-	-	-	-	46.51 LBS
8	MT-546-126	Ø 2.875" O.D X 126" PIPE	-	-	-	1	-	-	-	61.05 LBS
8	MT54772	Ø 3.50" O.D X 72" PIPE	-	-	-	-	1	-	-	45.21 LBS
8	MT54796	Ø 3.50" O.D X 96" PIPE	-	-	-	-	-	1	-	60.83 LBS
8	MT-547-126	Ø 3.50" O.D X 126" PIPE	-	-	-	-	-	-	1	79.83 LBS

REVISIONS				
REV.	ZONE	DESCRIPTION	BY	DATE
A		REDRAWN & REVISED	OGG	10/04/10



TP-G312-72 SHOWN



NOTES:
1. ALL METRIC DIMENSIONS ARE IN BRACKETS.

<small>These drawings and specifications are the proprietary property of ANDREW CORPORATION and may be used only for the specific purpose authorized in writing by Andrew Corporation.</small> ALL DIMENSIONS ARE IN INCHES U.O.S. TOLERANCES UNLESS OTHERWISE SPECIFIED: .X = ± .12 ANGLES ±2° .XX = ± .06 FRACTIONS ±1/32 .XXX = ± .030 REMOVE BURRS AND BREAK EDGES .005 DO NOT SCALE THIS PRINT	DRAWN BY: OGG	SHEET: 1 of 1	PART NUMBER: TP-G300-SERIES
	CHECKED BY: TP	SCALE: NTS	DESCRIPTION:
	DATE: 10/04/10	MATERIAL: A36,A500,A529	DRAWING TYPE: ASSEMBLY DRAWING
	REVISION: A	FINISH: GALV A123	WEIGHT: SEE TABLE