

4

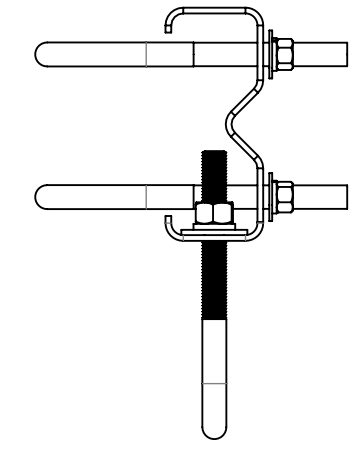
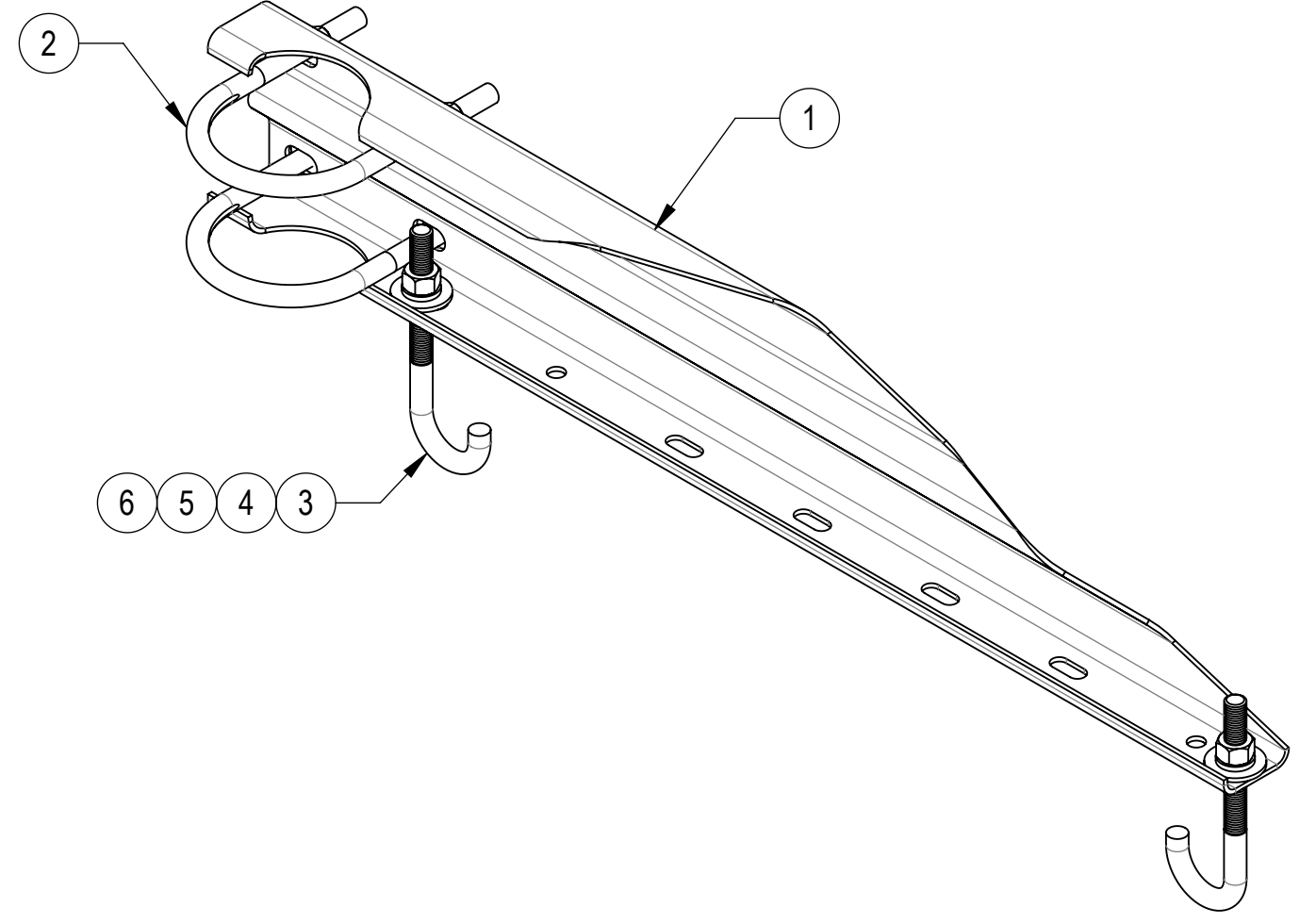
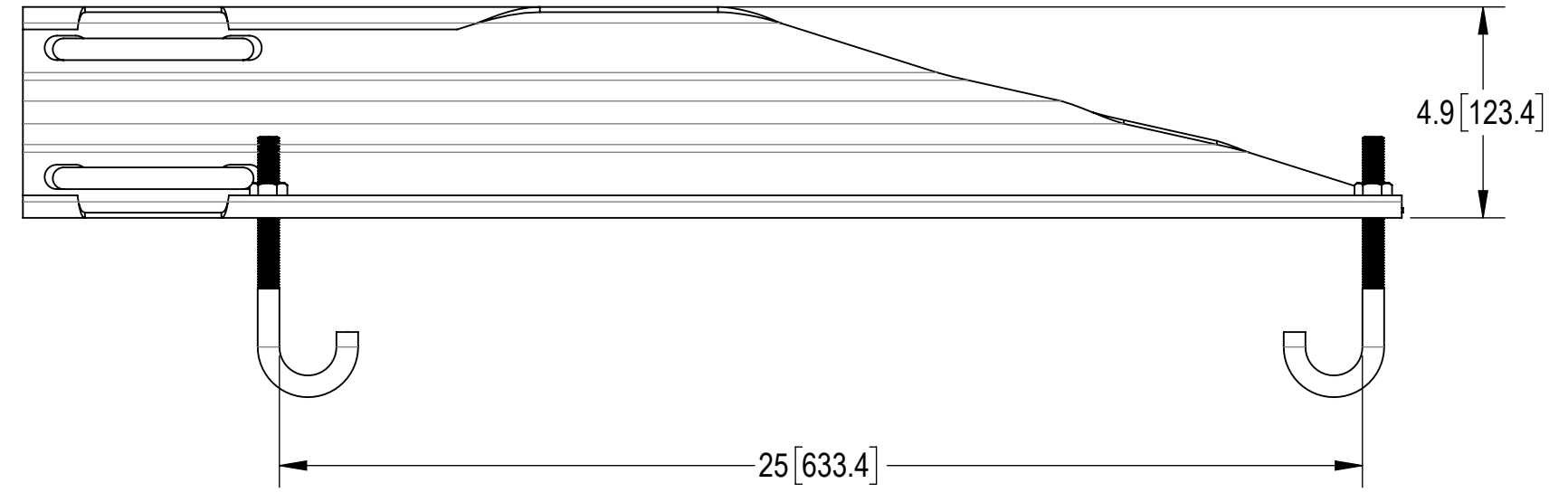
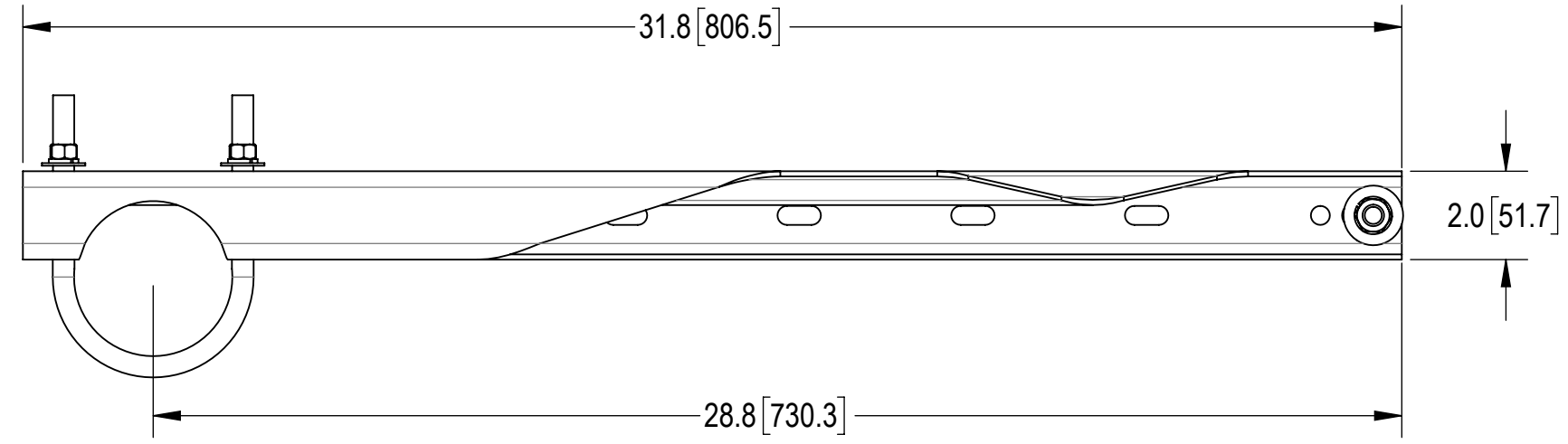
3

2

1

- 1.0 GENERAL NOTES
 - 1.1 ALL METRIC DIMENSIONS ARE IN BRACKETS [X.X]
 - 1.2 FOR PATENT INFO: <https://www.cs-pat.com>
- 2.0 DESIGN NOTES
- 3.0 MANUFACTURING/SPECIAL REQUIREMENTS
 - 3.1 TIGHTEN ALL BOLTS SECURING FLAT PLATES BY THE TURN-OF-NUT METHOD. TIGHTEN ALL U-BOLTS USING TURN-OF-NUT METHOD WITH ATTENTION TO LEAVE EQUAL DISTANCE AND EQUAL FORCE ON EACH LEG OF THE U-BOLT.
- 4.0 TEST
- 5.0 PACKAGING
 - 5.1 PACKAGING SHALL MEET COMMSCOPE REQUIREMENTS PER DOCUMENT IS-PL-3005
 - 5.2 PRINTED DOCUMENT TO BE PLACED INSIDE POLYBAG AND THEN IN SHIPPING CONTAINER
 - 5.3 EXTRA HARDWARE MAY BE SUPPLIED, BAGGED AND SHIPPED

REVISIONS			
REV.	DESCRIPTION	DATE	APPROVED
H	CHANGE DIMENSION CALLOUTS	MSM 13FEB08	TP
J	CORRECT PART NUMBER CALL-OUT	MSM 08AUG08	TP
K	ADD PACK; CHG BOM	CEB 29MAR16	TP
L	UPDATED SWD TO MATCH SAP BOM	YMENG 06AUG24	YC1015 40201892CMO



COMPONENT PART NUMBERS PROVIDED FOR ASSEMBLY PURPOSES;
INDIVIDUAL COMPONENTS MAY BE SHIPPED AS PARTS WITHIN AN INCLUDED KIT.

ITEM	PART NO.	DESCRIPTION	QTY.	WEIGHT	NOTE NO.
1	WBLB24308	24" WAVEGUIDE BRIDGE SUPPORT BRACKET	1	7.14 LBS	
2	GUB-4356	1/2" X 3-5/8" X 6" GALV U-BOLT	2	0.81 LBS	
3	WBJB6	1/2" J-BOLT	2	0.41 LBS	
4	GWf-04	1/2" GALV FLAT WASHER	2	0.04 LBS	
5	GWL-04	1/2" GALV LOCK WASHER	2	0.01 LBS	
6	GN-04	1/2" GALV HEX NUT	2	0.04 LBS	

DENSITY		lbs/in ³
MASS	9.92	lbs
VOLUME	34.91	in ³
SURFACE AREA	542.47	in ²
HEIGHT	2.0"	
LENGTH	31.8"	
WIDTH	4.9"	

COMMSCOPE, INC. OF NORTH CAROLINA			
TOLERANCES		SAP MATERIAL MASTER	
1 PLACE .X[X] ± .06[1.5]	3 PLACE .XXX[X] ± .010[0.3]	WB-LB24-3	
2 PLACE .XX[X] ± .03[0.8]	ANGLES ± 2°		
FINISH		MATERIAL	
UNLESS OTHERWISE SPECIFIED DIMENSIONS ARE IN INCHES INTERPRET PER ANSI Y 14.5M-1994	NAME	DATE	TITLE
	CE ACG	11/11/99	24" WAVEGUIDE BRIDGE SUPPORT KIT
	RW YMENG	08/12/2024	
	AD YC1015	08/12/2024	
	RE YMENG	08/12/2024	
ECN 40201892CMO			
SCALE	DOCUMENT NO.		
1:4	WB-LB24-3		
SIZE	Auth Group	INSL	MODEL
C			
VERSION	STATUS	REVISION	DRAWING
01	RE	L	VERSION STATUS REVISION
			01 RE L
			SHEET
			1 OF 1