

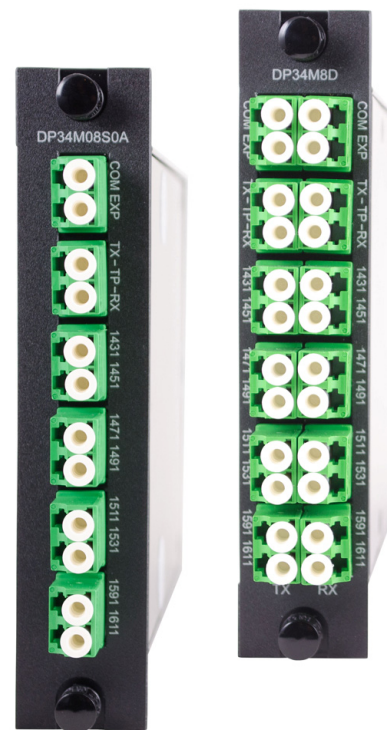
# Optical Passives (ISP)

## DP34M08, DP34D08

### 8-channel ISP CWDM Mux/Demux

## FEATURES

- 8-channel optical multiplexer and demultiplexer modules
- LGX chassis-compatible for ISP inside plant controlled indoor environments
- Single (1-slot) or dual (1-slot) module package options
- Wide operating passband on CWDM ITU grid (20 nm spacing)
- Type A: Skip 1551/1571 nm
- Type B: Skip 1431/1451 nm
- Type C: Skip 1531/1551 nm
- EXP express port for future services expansion via DWDM
- Separate TP -20 dB line monitoring taps for Tx and Rx signal paths
- LC/APC or LC/UPC optical connectors
- Compatible with "B-Series" and "C-Series" DP94M08/D08 OSP passives



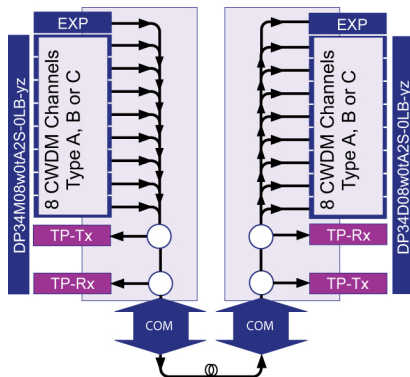
## PRODUCT OVERVIEW

ARRIS DP34M08 and DP34D08 eight-channel CWDM optical mux and demux modules are intended for applications in controlled indoor environments.

DP34M08 and DP34D08 are designed to multiplex 8 of 10 CWDM ITU-grid optical wavelengths, with individual wavelengths ranging from 1430 to 1610 nm, and 20 nm spacing between channels. Two separate -20 dB TP test ports monitor Tx path and Rx path signals.

They also have an EXP express port for future deployment of optical filters to accommodate the addition of DWDM ITU wavelengths for commercial services expansion into the "skipped" spectrum. There are three options for the 2 of 10 CWDM wavelengths which are "skipped": Type A (skip 1551/1571 nm); Type B (skip 1431/1451 nm), and; Type C (skip 1531/1551 nm).

These ISP headend modules are compatible with industry-standard LGX chassis. They are available in Single mux/demux and Dual mux/demux module packages to facilitate single fiber and dual fiber deployments.



## SPECIFICATIONS

Characteristics	Specification
<b>Physical</b>	
Dimensions	6.5" D x 5.1" H x 1.0" W (16.5 cm x 13 cm x 2.6 cm)
Weight	1.5 lbs (0.7 kg)
<b>Environmental</b>	
Operating temperature range (indoor)	-20° to +65°C (-4° to +149°F)
Storage temperature range	-40° to +85°C (-40° to +185°F)
Humidity	5% to 95% non-condensing
<b>Optical Interface</b>	
Optical ports (MUX/DEMUX Input/Output)	<ul style="list-style-type: none"> <li>xxxx: xxxx: 8 CWDM channel I/O ports                             <ul style="list-style-type: none"> <li>t = A; 1431, 1451, 1471, 1491, 1511, 1531, 1591, 1611 nm</li> <li>t = B; 1471, 1491, 1511, 1531, 1551, 1571, 1591, 1611 nm</li> <li>t = C; 1431, 1451, 1471, 1491, 1511, 1571, 1591, 1611 nm</li> </ul> </li> <li>COM: Output/input to/from fiber network</li> <li>EXP: Express or bypass channel I/O from previous MUX/DEMUX</li> <li>TP Tx: Unidirectional -20 dB tap off COM from xxxx channels</li> <li>TP Rx: Unidirectional -20 dB tap off COM from fiber network</li> </ul>
Optical connectors	LC/APC or LC/UPC options
<b>Optical</b>	
Channel Spacing	20 nm
Channel Passband	<ul style="list-style-type: none"> <li>COM to xxxx: Center wavelength +/- 6.5 nm                             <ul style="list-style-type: none"> <li>t = A; 1431, 1451, 1471, 1491, 1511, 1531, 1591, 1611 nm</li> <li>t = B; 1471, 1491, 1511, 1531, 1551, 1571, 1591, 1611 nm</li> <li>t = C; 1431, 1451, 1471, 1491, 1511, 1571, 1591, 1611 nm</li> </ul> </li> <li>COM to EXP: from 1260-1625 nm, except Type A, B or C add/drop channel passbands, as applicable                             <ul style="list-style-type: none"> <li>t = A; 1260-1421 nm; 1541-1581 nm; 1621-1635 nm</li> <li>t = B; 1260-1461 nm; 1621-1635 nm</li> <li>t = C; 1260-1421 nm; 1521-1561 nm; 1621-1635 nm</li> </ul> </li> </ul>
Insertion Loss, max: (including connectors)	<ul style="list-style-type: none"> <li>COM to xxxx: 3.0 dB</li> <li>COM to EXP: 2.7 dB</li> <li>COM to TP: 20.4 dB</li> <li>Paired: 4.2 dB (from DP34M08 xxxx to DP34D08 xxxx)</li> </ul>
Module Uniformity, max	2 dB
Paired Uniformity, max	1 dB
Return loss, min	45 dB
Polarization dependent loss, max	0.15 dB (< 0.1 dB typ)
Polarization mode dispersion, max	0.1 ps
Ripple within passband	0.15 dB
Adjacent channel isolation, min	35 dB
Non-adjacent channel isolation, min	45 dB
Directivity, min	<ul style="list-style-type: none"> <li>xxxx CWDM port: 55 dB</li> <li>EXP Express port: 65 dB</li> </ul>
Power handling, max (any port)	21.8 dBm



**ORDERING INFORMATION**

Part Number	
DP34v08w0tA2S-0LB-yz	v = Module type (M = Mux; D = Demux) w = Packages per module (S = Single, 1-slot; D = Dual, 1-slot) t = Type A, B or C (A = skip 1551/1571; B = skip 1431/1451; C = skip 1531/1551) yz = Connector options (AL = LC/APC; UL = LC/UPC)

**RELATED PRODUCTS**

Industry-standard LGX chassis

---



---



---

## Customer Care

Contact Customer Care for product information and sales:

- United States: 866-36-ARRIS
- International: +1-678-473-5656

**Note:** Specifications are subject to change without notice.

**Copyright Statement:** ©ARRIS Enterprises, LLC, 2016. All rights reserved. No part of this publication may be reproduced in any form or by any means or used to make any derivative work (such as translation, transformation, or adaptation) without written permission from ARRIS Enterprises, LLC ("ARRIS"). ARRIS reserves the right to revise this publication and to make changes in content from time to time without obligation on the part of ARRIS to provide notification of such revision or change. ARRIS and the ARRIS logo are registered trademarks of ARRIS Enterprises, LLC. Other trademarks and trade names may be used in this document to refer to either the entities claiming the marks or the names of their products. ARRIS disclaims proprietary interest in the marks and names of others. The capabilities, system requirements and/or compatibility with third-party products described herein are subject to change without notice.