

CBC78-DF-8-DCB | E15V95P05



Crossband Coupler, 698–787 MHz/Cellular, dc pass on 698–787 MHz port

OBSOLETE

This product was discontinued on: December 31, 2018

Replaced By:

CBC78-DS-43
E14F05P18

Diplexer 698-803/824-894 MHz, DC Sense, 4.3-10

Product Classification

Product Type Coupler

General Specifications

Product Family CBC78

Color Gray

Common Port Label COMM

Modularity 1-Single

Mounting Pole | Wall

Mounting Pipe Hardware Band clamps (2)

RF Connector Interface 7-16 DIN Female

RF Connector Interface Body Style Long neck

Dimensions

Height 200 mm | 7.874 in

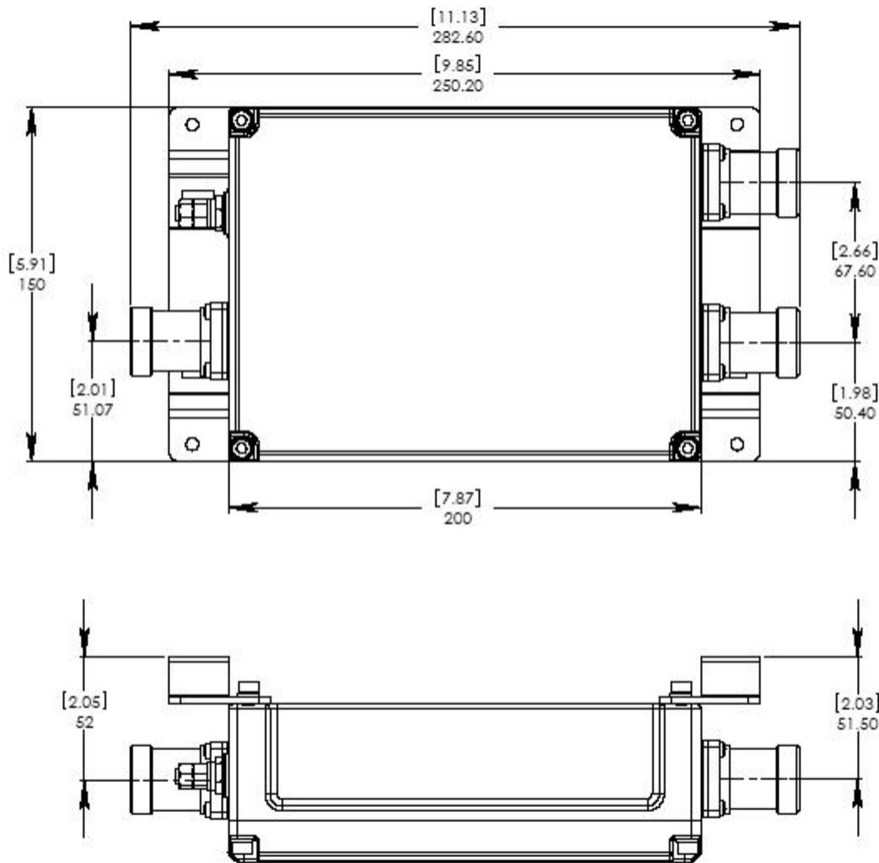
Width 150 mm | 5.906 in

Depth 66.5 mm | 2.618 in

Ground Screw Diameter 6.35 mm | 0.25 in

CBC78-DF-8-DCB | E15V95P05

Outline Drawing



Electrical Specifications

Impedance	50 ohm
License Band, Band Pass	CEL 850 USA 700 USA 750

Electrical Specifications, dc Power/Alarm

dc/AISG Pass-through, combiner	Branch 1
dc/AISG Pass-through, demultiplexer	Branch 1
Lightning Surge Current	10 kA
Lightning Surge Current Waveform	8/20 waveform

Electrical Specifications

Sub-module	1	1
-------------------	---	---

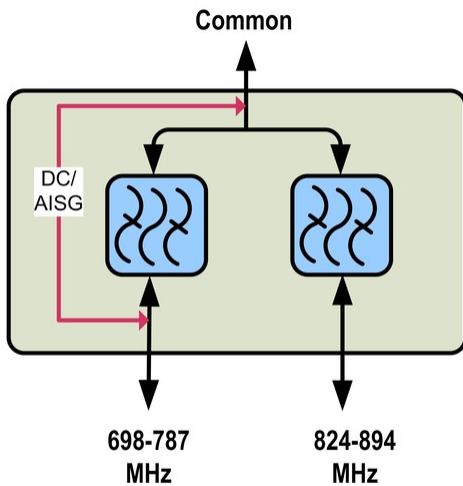
CBC78-DF-8-DCB | E15V95P05

Branch	1	2
Port Designation	698-787	824-894
License Band	USA 700, Band Pass USA 750, Band Pass	CEL 850, Band Pass

Electrical Specifications, Band Pass

Frequency Range, MHz	698–787	824–894
Insertion Loss, maximum, dB	0.25	0.25
Total Group Delay, maximum, ns	25	25
Return Loss, minimum, dB	22	22
Return Loss, typical, dB	24	24
Isolation, minimum, dB	50	50
Input Power, RMS, maximum, W	500	500
Input Power, PEP, maximum, W	5000	5000
3rd Order PIM, typical, dBc	-153	-153
3rd Order PIM Test Method	2 x 20 W CW tones	2 x 20 W CW tones

Block Diagram



Environmental Specifications

Operating Temperature	-40 °C to +65 °C (-40 °F to +149 °F)
Relative Humidity	5%–100%

CBC78-DF-8-DCB | E15V95P05

Ingress Protection Test Method IEC 60529:2001, IP67

Packaging and Weights

Included Mounting hardware

Volume 2 L

Weight, net 3 kg | 6.614 lb

Regulatory Compliance/Certifications

Agency

ISO 9001:2015

Classification

Designed, manufactured and/or distributed under this quality management system

