

CBC781923T-DS-43 | E14F65P02



Twin Quadplexer, 700/850/PCS/AWS-WCS, DC Sense, 4.3-10

- BTS-to-feeder and feeder-to-antenna application
- Automatic dc switching with dc sense
- Convertible mounting brackets
- New 4.3-10 connectors for improved PIM performance and size reduction
- Stackable in multiples with included hardware

Product Classification

Product Type Quadplexer

General Specifications

Product Family CBC781921W

Color Gray

Common Port Label Common

Modularity 2-Twin

Mounting Pole | Wall

Mounting Pipe Hardware Band clamps (2)

RF Connector Interface 4.3-10 Female

Dimensions

Height 185 mm | 7.283 in

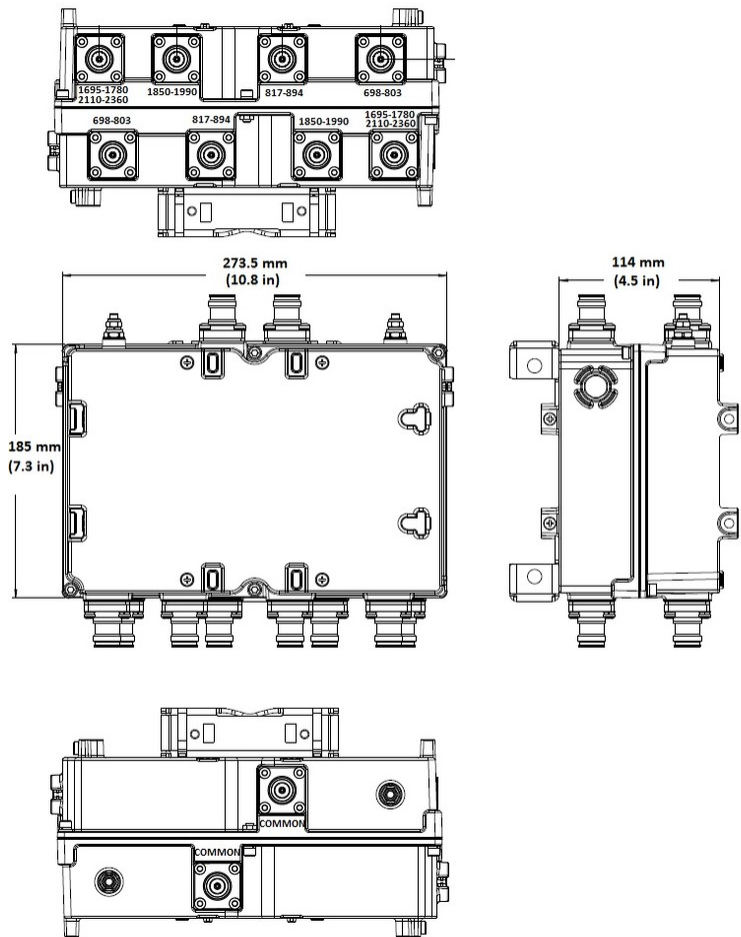
Width 273.5 mm | 10.768 in

Depth 114 mm | 4.488 in

Ground Screw Diameter 6 mm | 0.236 in

Mounting Pipe Diameter Range 40–160 mm

Outline Drawing



Electrical Specifications

Impedance	50 ohm
License Band, Band Pass	AWS 1700 CEL 850 LMR 750 PCS 1900 USA 700 USA 750 WCS 2300

Electrical Specifications, dc Power/Alarm

dc/AISG Pass-through Method	Auto sensing
dc/AISG Pass-through Path	See logic table
Lightning Surge Current	5 kA
Lightning Surge Current Waveform	8/20 waveform
Operating Current at Voltage	15 mA @ 12 V 15 mA @ 24 V

CBC781923T-DS-43 | E14F65P02

Voltage 7–30 Vdc

Electrical Specifications, AISG

AISG Carrier 2176 KHz ± 100 ppm
Insertion Loss, maximum 1 dB
Return Loss, minimum 15 dB

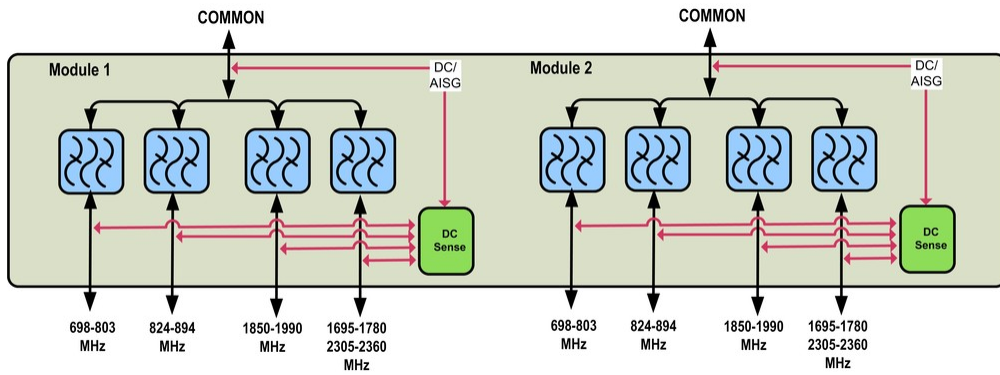
Electrical Specifications

Sub-module	1 2	1 2	1 2	1 2	1 2
Branch	1	2	3	4	4
Port Designation	698–803	824–894	1850–1990	AWS-WCS	AWS-WCS
License Band	LMR 750, Band Pass USA 700, Band Pass USA 750, Band Pass	CEL 850, Band Pass	PCS 1900, Band Pass	AWS 1700, Band Pass	WCS 2300, Band Pass

Electrical Specifications, Band Pass

Frequency Range, MHz	698–803	824–894	1850–1990	1695–1780 2110–2200	2305–2360
Insertion Loss, maximum, dB	0.5	0.5	0.5	0.5	0.4
Insertion Loss, typical, dB	0.3	0.3	0.3	0.3	0.2
Total Group Delay, maximum, ns	50	55	55	25	25
Return Loss, minimum, dB	20	20	20	20	20
Return Loss, typical, dB	22	22	22	22	22
Isolation, minimum, dB	50	50	50	50	50
Isolation, typical, dB	65	55	55	55	55
Input Power, RMS, maximum, W	200	200	200	200	200
Input Power, PEP, maximum, W	2000	2000	2000	2000	2000
3rd Order PIM, typical, dBc	-161	-161	-161	-161	
3rd Order PIM Test Method	2 x 20 W CW tones	2 x 20 W CW tones	2 x 20 W CW tones	1 x 20 W AWS CW tone 1 x 20 W PCS CW tone	
Higher Order PIM, typical, dBc					-161
Higher Order PIM Test Method					2 x 20 W CW tones

Block Diagram



Logic Table

Combining Mode Operation (Ground Based)					DC/AISG Path Selection
RF Ports Input Voltage					
700 MHz	850 MHz	PCS	AWS/WCS	COMMON	700 MHz to COMMON "ON"
$7 \leq V \leq 30$	<7	<7	<7	<7	850 MHz to COMMON "ON"
<7	$7 \leq V \leq 30$	<7	<7	<7	PCS to COMMON "ON"
<7	<7	$7 \leq V \leq 30$	<7	<7	AWS/WCS to COMMON "ON"
<7	<7	<7	$7 \leq V \leq 30$	<7	Path selection will follow below priority: AWS (1), 700MHz (2), PCS (3), 850MHz (4)
Any 2 or more ports active $7 \leq V \leq 30$					<7

Splitting Mode Operation (Tower Top)					DC/AISG Path Selection
RF Ports Impedance DC (Load sensing)					
700 MHz	850 MHz	PCS	AWS/WCS	COMMON	COMMON to 700 MHz "ON"
open/load	short	short	short	$7 \leq V \leq 30$	COMMON to 850 MHz "ON"
short	open/load	short	short	$7 \leq V \leq 30$	COMMON to PCS "ON"
short	short	open/load	short	$7 \leq V \leq 30$	COMMON to AWS/WCS "ON"
short	short	short	open/load	$7 \leq V \leq 30$	DC/AISG will be routed to ALL ports with open/load impedance
Any 2 or more ports open/load impedance					$7 \leq V \leq 30$

Environmental Specifications

Operating Temperature -40 °C to +65 °C (-40 °F to +149 °F)

Corrosion Test Method IEC 60068-2-11, 30 days

Ingress Protection Test Method IEC 60529:2001, IP67

Packaging and Weights

Included Mounting hardware

Mounting Hardware Weight 0.5 kg | 1.102 lb

Weight, without mounting hardware 7.6 kg | 16.755 lb